

INSTALLATION INSTRUCTIONS CARE AND MAINTENANCE

*American
Standard*

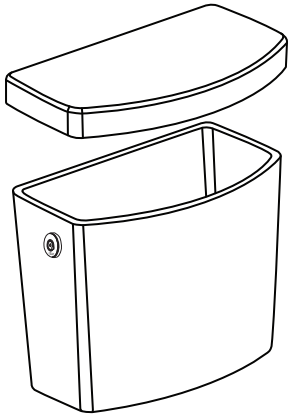
Studio® ActiVate™ Right Height® Elongated 2-piece Toilet
Model 2794.119

Studio® ActiVate™ Right Height® Round Front 2-piece Toilet
Model 2795.119

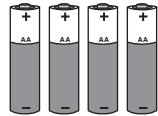
Thank you for selecting American Standard - the benchmark of fine quality for over 100 years. To ensure this product is installed properly, please read these instructions carefully before you begin. (Certain installations may require professional help.) Also be sure your installation conforms to local codes.

⚠ CAUTION: PRODUCT IS FRAGILE. TO AVOID BREAKAGE AND POSSIBLE INJURY HANDLE WITH CARE!
NOTE: Pictures may not exactly define contour of china and components.

TANK 4000.119



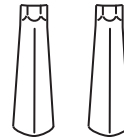
EZ-INSTALL KIT INCLUDED WITH TANK



AA Batteries (4)



Tank To Bowl Gasket

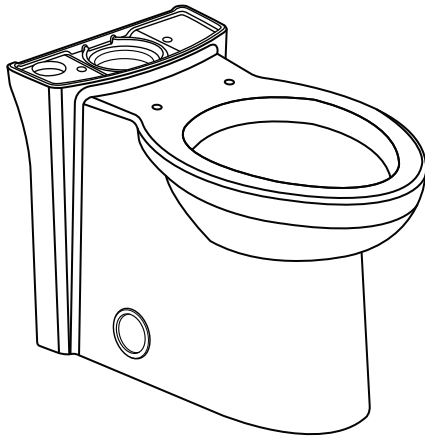


Attachment Handles
with Nuts (2)



Plastic
Washers (2)

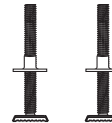
BOWL 3075.120 RIGHT HEIGHT® ELONGATED BOWL 3053.120 RIGHT HEIGHT® ROUND FRONT



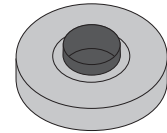
EZ-INSTALL KIT INCLUDED WITH BOWL



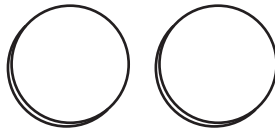
Bowl-To-Floor Knobs (2)



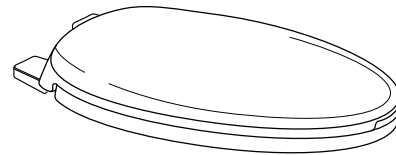
T-Bolts with Retainer (2)



Wax Ring



Bolt Covers (2)



* Toilet Seat
* For seat installation, see
instructions included with seat.

SOLD SEPARATELY



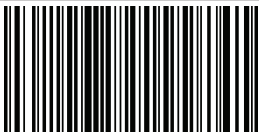
Water Supply Line

S
A
V
E

F
O
R

F
U
T
U
R
E

U
S
E



7302165-100A

Product names listed herein are trademarks of AS America, Inc.
© AS America, Inc. 2014

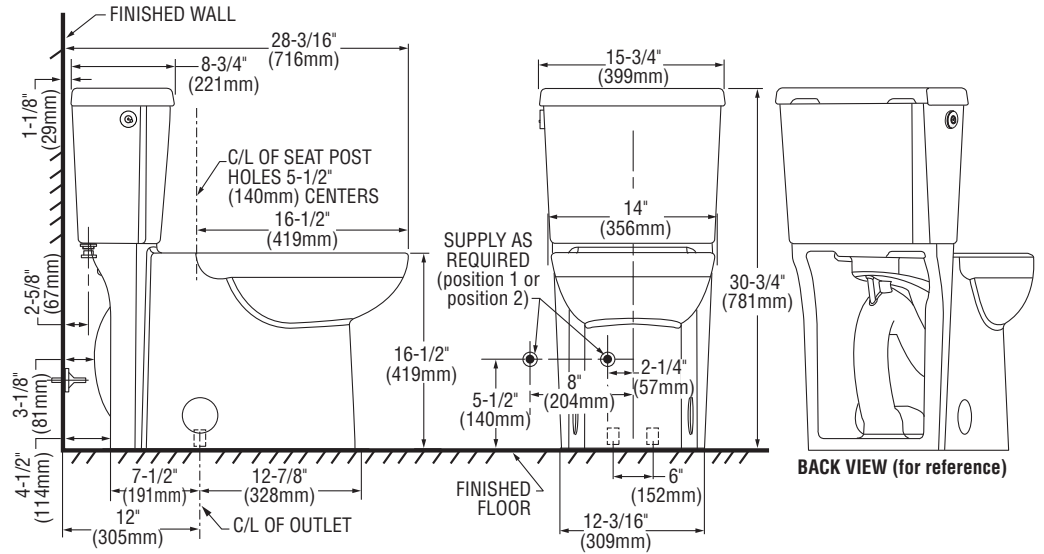
7302165-100 Rev. A

ROUGHING-IN DIMENSIONS:

NOTE: Distance from wall to closet flange centerline must be as listed:

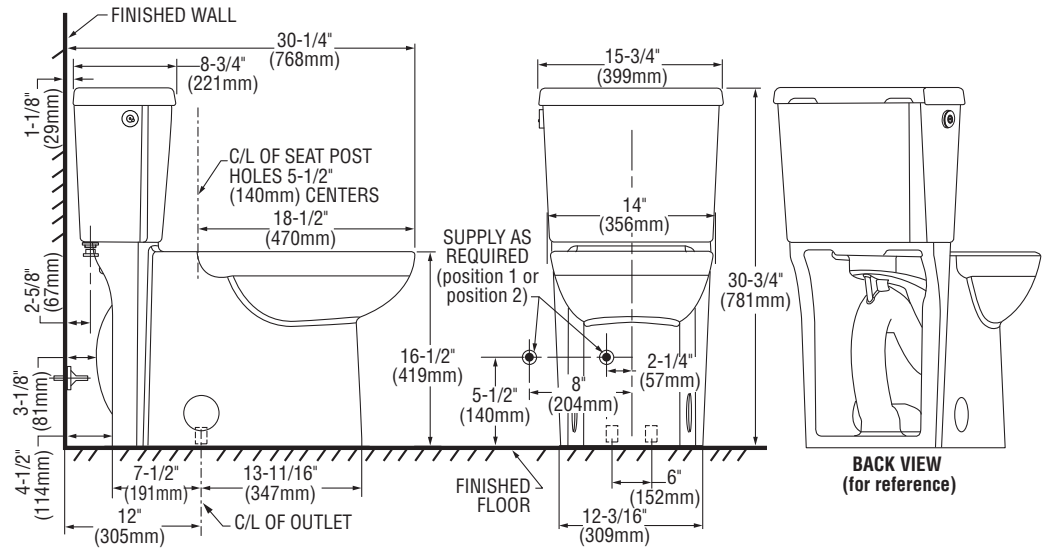
Studio® ActiVate™ Right Height® Round Front 2-piece Toilet Model 2795.119

IMPORTANT: Water supply on the wall is required at 2-1/4" or 8" from centerline of the toilet (see rough-in). First suggested position is hidden behind the toilet. The geometry of the toilet gives space for this installation. The second suggested position is next to the toilet. Between these two positions, the space for the supply between wall and toilet is limited to 4-1/2". In this case, check your supply and hose dimensions.



Studio® ActiVate™ Right Height® Elongated 2-piece Toilet Model 2794.119

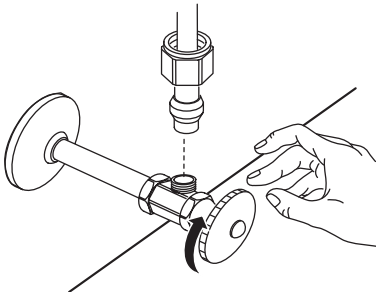
IMPORTANT: Water supply on the wall is required at 2-1/4" or 8" from centerline of the toilet (see rough-in). First suggested position is hidden behind the toilet. The geometry of the toilet gives space for this installation. The second suggested position is next to the toilet. Between these two positions, the space for the supply between wall and toilet is limited to 4-1/2". In this case, check your supply and hose dimensions.



Before You Start:

If Removing An Existing Toilet

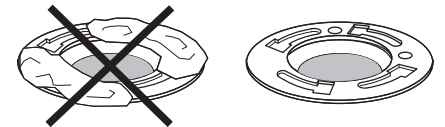
Turn Off Water Supply



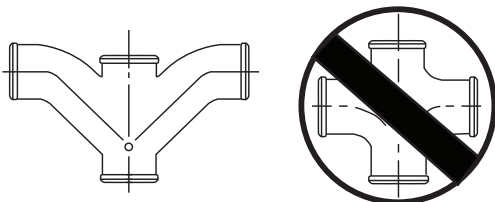
Flush to remove water from tank; sponge remaining water from bowl before removing toilet.



Clean Flange



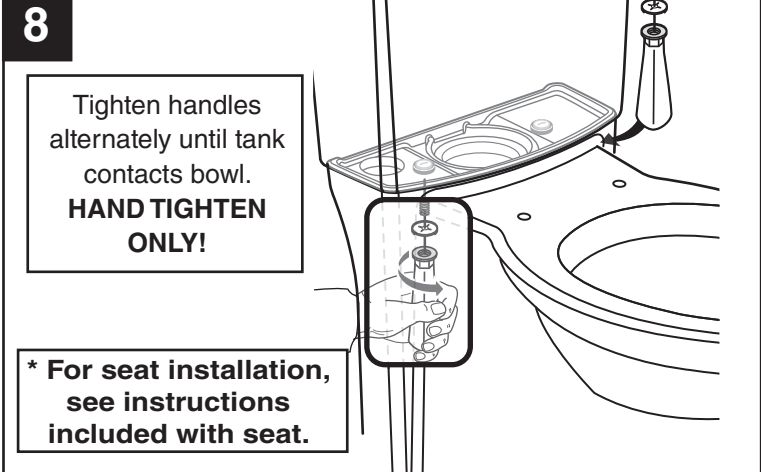
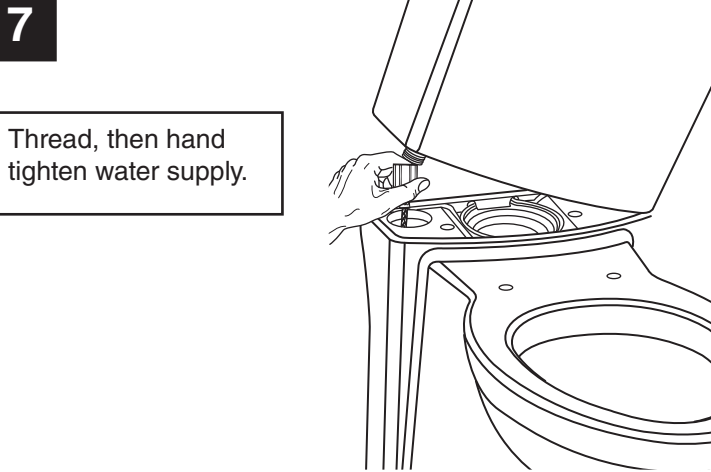
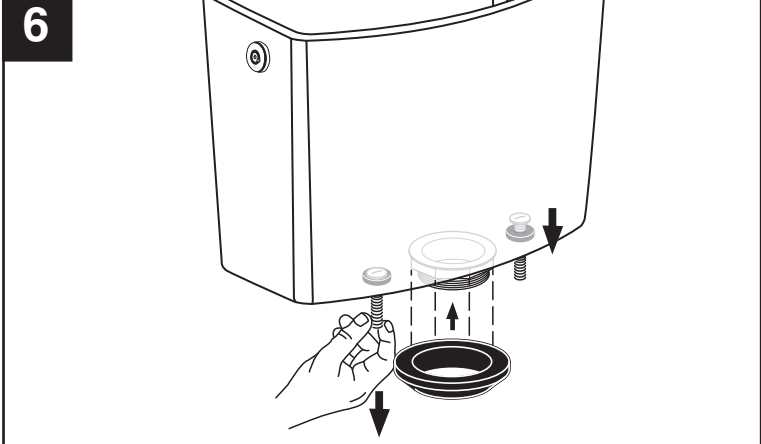
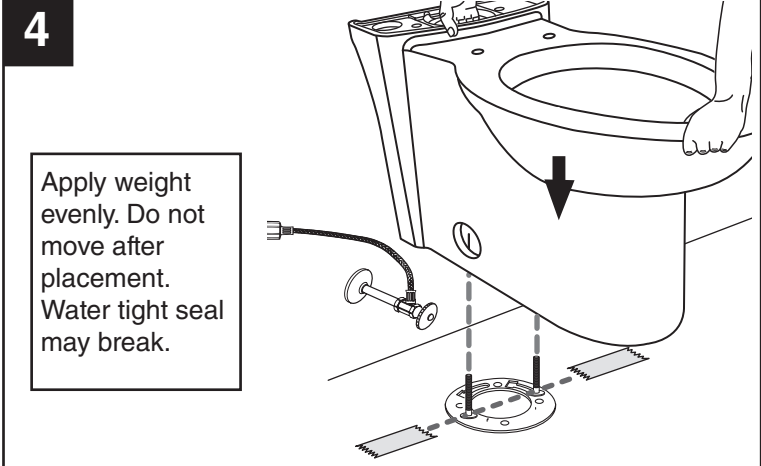
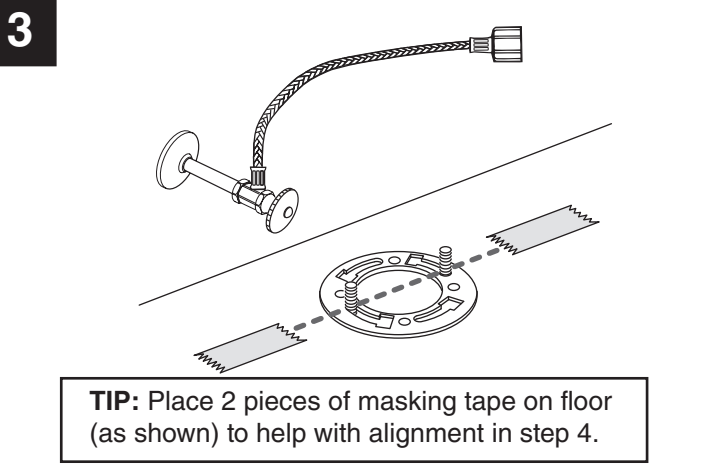
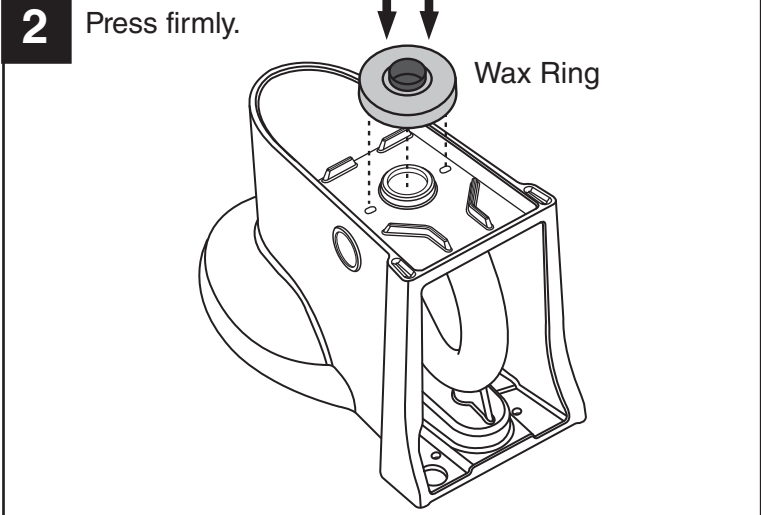
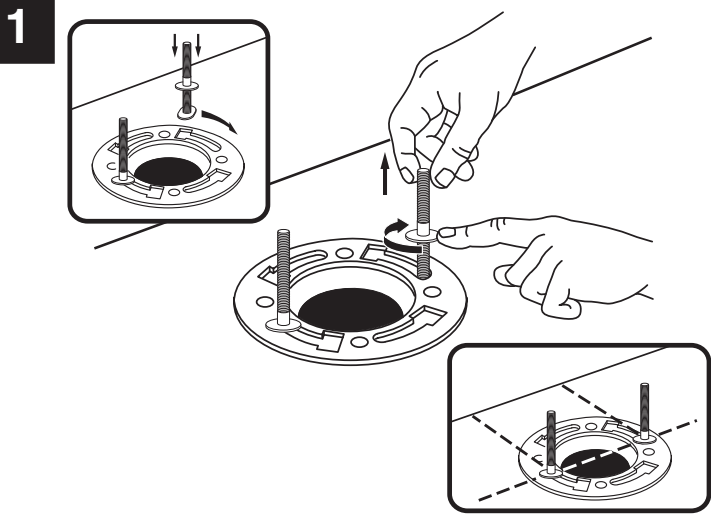
Caution: If leaving floor flange open for more than 1-2 hours, cover flange to prevent escaping sewer gases.



Recommended fitting type for back-to-back installations.

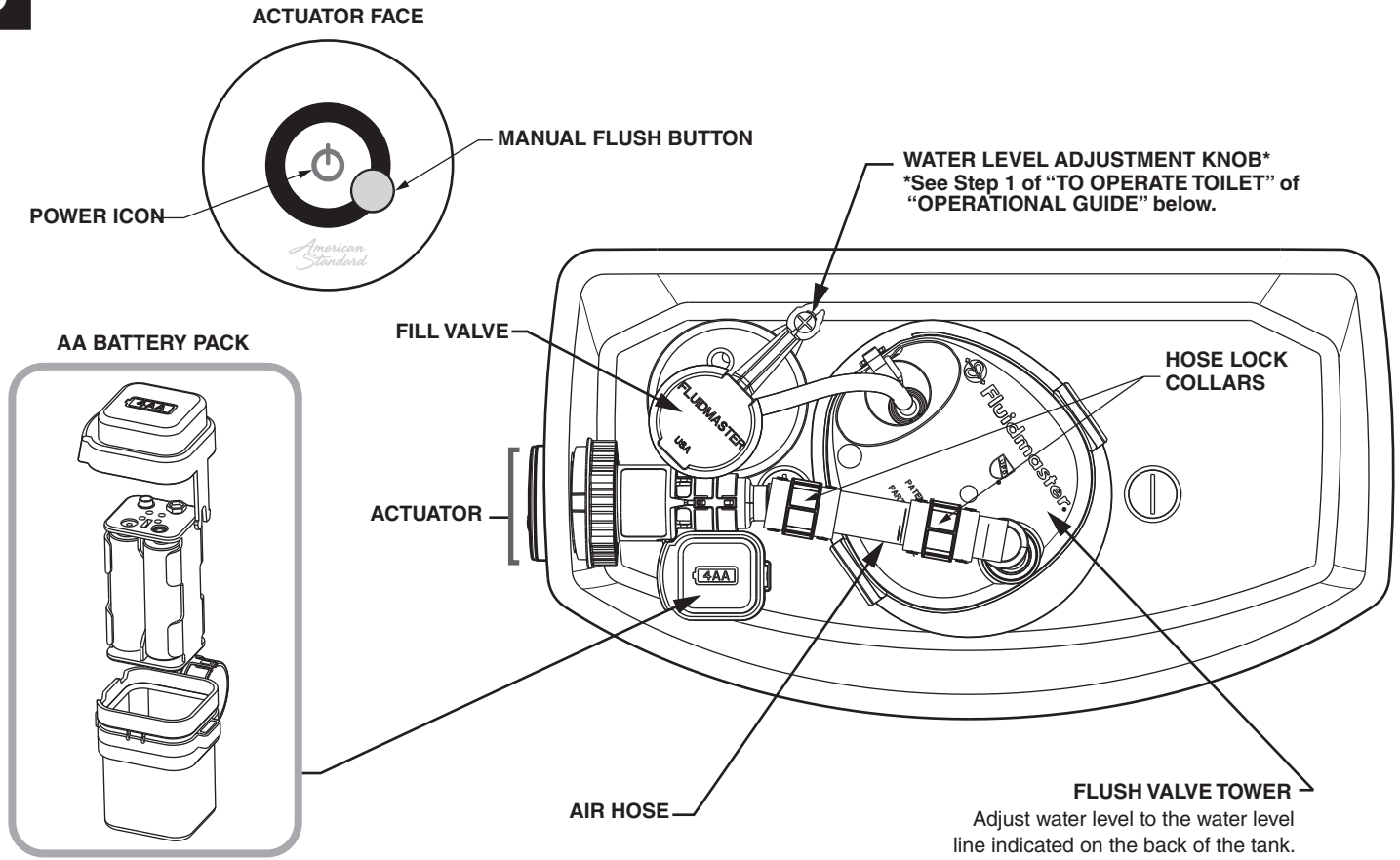
BACK-TO-BACK INSTALLATION

Depending upon your plumbing and venting conditions, the flow from the toilet in a back-to-back installation may create a vacuum on the system and draw water from the opposing bowl. The National Standards Plumbing Code prohibits the use of a cross fitting for drainage as throw over is possible. The code does approve a directional "Y" style fitting with proper venting to direct the water downward and away from the other toilet.



! WARNING: Overtightening of water supply line nuts could result in breakage and potential flooding. If the connection leaks after hand tightening, replace the supply line. Do not use any type of sealant on the water supply connection. Use of plumber's putty, pipe dope, or any other type of sealant will void the warranty.

9



OPERATIONAL GUIDE

<p>! TO INSTALL BATTERIES (4) AA Batteries ONLY (DO NOT USE 9 VOLT)</p>	<p>Step 1) Lift open rubber battery housing cover, remove battery tray and install 4 alkaline AA batteries into the battery tray.</p> <p>Step 2) Insert battery tray back into the battery housing and connect sensor plug to battery tray. Sensor will flash red once followed by 3 consecutive blue flashes.</p> <p>Step 3) Route wires through slot in battery housing and close battery housing cover making sure it is secure to prevent corrosion.</p>
<p>TO OPERATE TOILET</p>	<p>* Step 1) Turn on water supply. Adjust water level to water level line indicated on the back of the tank by turning Water Level Adjustment Knob on fill valve to move float cup up or down. Turning knob clockwise raises water level. Turning knob counterclockwise lowers water level. It is critical that water be filled exactly to specified water level for optimum performance.</p> <p>Step 2) To flush toilet, swipe hand within 3 inches of activation sensor on side of toilet. Sensor will flash blue twice.</p>
<p>TO OPERATE ON/OFF FEATURE <i>On/Off feature puts the sensor into an off mode for 10 minutes, allowing time to clean in the bathroom area without constantly flushing the touchless toilet.</i></p>	<p>Step 1) Feature is activated by touching the Power Icon for 3-6 seconds. Sensor will flash blue twice and then constantly flash red while in this mode.</p> <p>Step 2) Exit off mode by touching the Power Icon for 3-6 seconds. Sensor will flash blue 4 times.</p>

Troubleshooting Guide

Problem/Indicator	Possible Cause	Corrective Action
No flush or delayed flush	a. No batteries	a. Install 4 alkaline AA batteries to the Activation Battery Case.
	b. Dead batteries. A light will blink red every time the sensor is operated to indicate low battery.	b. Replace 4 AA batteries in the Activation Battery Case with new batteries.
	c. Incorrect water level in tank	c. If water level is too low or too high, flush performance is affected. Fill water in the tank to the correct level, as specified on the back of the tank.
	d. Air Hose not connected	d. Connect Air Hose to the Valve at end of the Activation Unit.
	e. No water in the tank	e. Fill the tank with water to the level specified on the label on the back of tank.
	f. Sensor is OFF. A red light will flash when the sensor is OFF.	f. On/Off feature puts the sensor into an off mode for 10 minutes, allowing one to clean in the bathroom area without constantly flushing the touchless toilet. Feature is activated by touching the Power Icon for 3-6 seconds. Exit On/Off mode by touching the Power Icon for 3-6 seconds, as indicated by 4 flashes of the blue LED.
	g. Toilet is clogged	g. First deactivate the sensor by disconnecting the battery connector from the sensor unit and use the manual flush button if you need to flush after unclogging the toilet. Once the toilet is unclogged, you can reconnect the battery connector to the sensor unit and operate the sensor normally.
	h. Toilet is in lock out mode (flush command was initiated during an existing flush/fill cycle)	h. After a flush command is initiated, the toilet will enter a temporary "lock out mode", and not accept another flush command until approximately 35 seconds. This is required in order for the system to complete a full flush & refill cycle.
	i. Touchless hand swipe was too fast	i. Initiate a slightly slower hand swipe within the sensor area.
	j. Touchless hand swipe was not in sensor detection area	j. Sensor detection area is directly in front of the sensor face and up to 3 inches away from the surface.
	k. Water supply valve closed	k. Open valve and allow water to fill tank.
	l. Supply line blocked	l. Shut off water supply, disconnect supply line and inspect all gaskets and washers. Reassemble.
	m. Sand or debris lodged in water control	m. Shut off water supply. Remove cap and clean as per Fluidmaster maintenance instructions at: http://www.fluidmaster.com/valve-runs-non-stop.html
Leaking	a. Incorrect water level	a. If water level is too low or too high, flush performance is affected and leaking may occur. Fill water in the tank to the correct level, as specified on the label on the back of tank.
	b. Debris on sealing surface	b. Remove debris on sealing surface causing the leak.
	c. Loose Shank Nut	c. Tighten the Shank nut to eliminate the leak.
	d. Refill water level is too high	d. Leaking occurs through the overflow tube due to the Fill Valve float setting too high. Lower the float setting until the Fill Valve refills to the correct water level.
Partial Flush	a. Refill clip/tube is not installed in the Overflow Tube	a. Connect the refill clip to the Overflow Tube.
	b. Incorrect water level	b. If water level is too low or too high, flush performance is affected. Fill water in the tank to the correct level, as specified on the label on the back of tank.
	c. Manual Flush Button not fully depressed	c. Press the Manual Flush Button in further.
Unintended Flush	a. Motion or object in sensor area	a. Remove item from the sensor activation area.
	b. Autoflush	b. When not in use, the system will initiate an automatic flush every 12 days.
Manual Button not working	a. Touchless Mode is Active (batteries are connected, system is not in turned OFF)	a. If a user attempts to press the Manual Button, the Touchless system will recognize motion in the activation area and initiate the flush before the user is able to press the button.
	b. Manual Button is not depressed completely	b. Press the Manual Flush Button in further.
	c. There is no water in the tank	c. Fill the tank with water to the level specified on the label on the back of tank.
	d. Air Hose not connected	d. Connect Air Hose to the Valve at one end and the Activation Unit at the other end. Slide hose collars over ends to lock in place.
	e. Incorrect water level	e. If water level is too low or too high, flush performance is affected. Fill water in the tank to the correct level, as specified on the label on the back of tank.
Red LED flashes during flush	a. Remaining battery power is low.	a. Replace batteries.
Red LED constantly flashing	a. Sensor has been turned OFF	a. Exit OFF Mode by touching the Power Icon for 3-6 seconds, as indicated by 4 flashes of the blue LED.
Blue LED is flashing	a. System has received a flush command and is executing a flush cycle	a. NA
LED flashing red and blue	a. System is executing initial boot up phase after batteries are connected	a. NA. This is normal behavior for the sensor at start up.
Toilet leaks	a. Poor supply line connection	a. Review Step 10 of installation instructions.
	b. Poor bowl to tank/floor connection	b. Review Step 3 through 8 of installation procedure.
Toilet bowl rocks after installation	a. Wax ring not fully compressed	a. Retighten bowl-to-floor knobs.
	b. Floor not level	b. Use toilet shims and/or place a bead of caulk around the base of the toilet.

Parts List can also be found under the tank lid.

PARTS LIST

Parts are determined by toilet tank number which can be found marked inside tank.

NOTE: "XXX" represents color or trim finish options. Specify when ordering.

PL 7302164-100 Rev. A

735158-400.XXX	Tank Cover
7381125-400.0070A	Universal Inlet Valve Assembly
7381551-401.0070A	Flush Valve Tower Assembly w/ Gasket, Washer & Nut
7381553-201.0070A	Hose Assembly w/ Lock Sleeves
7381549-201.0070A	Flush Valve Float w/ Seal
7381550-201.0070A	Actuator Less Battery Holder Case
7381552-201.0070A	Battery Holder Case
7381147-200.0070A	Tank to Bowl Coupling Kit w/ Gasket
7381437-200.0070A	Floor Mounting Hardware Kit - (T-Bolts, Retainers & Screw Knobs)
7301540-200.XXX0A	Bolt Cap Kit - (Includes Covers, Sleeves & Retaining Rings)

CARE AND CLEANING

When cleaning your toilet, wash it with mild, soapy water, rinse thoroughly with clear water and dry with a soft cloth.

WARNING: Do not use in-tank cleaners. These products can seriously corrode fittings in the tank. This damage can cause leakage and property damage. **American Standard shall not be responsible or liable for any damage caused by the use of in-tank cleaners.**

TOILET LIMITED WORRY-FREE WARRANTY

This toilet comes with a limited lifetime warranty on chinaware, a limited 5 year warranty on all mechanical parts of the toilet, 1 year warranty on electronic parts and a limited 1 year warranty on the toilet seat if included with product. If inspection of this AS America, Inc. ("American Standard") plumbing product, inclusive of the chinaware and all mechanical parts, confirms that it is defective in materials or workmanship, American Standard will repair or, at its option, exchange the product for the same or a similar model.

This limited warranty applies only to the original non-commercial purchaser and installation of the products. In the event of a limited warranty claim, proof of purchase will be required – save sales receipts.

For this warranty to become effective, the warranty registration process must be completed via the internet or telephone per the warranty registration instructions.

This limited warranty does not apply to commercial installations. The warranty for commercial installations is 1 year on chinaware and mechanical parts, 1 year warranty on electronic parts and 1 year on the toilet seat if included with product.

This warranty **does not apply** to local building code compliance. Since local building codes vary considerably, the purchaser of the product should check with a local building or plumbing contractor to ensure local code compliance before installation.

This warranty **will be void** if the product has been moved from its initial place of installation; if it has been subjected to faulty maintenance, abuse, misuse, accident or other damage; if it was not installed in accordance with American Standard's instructions; or if it has been modified in a manner inconsistent with the product as shipped by American Standard.

WARNING: This warranty **DOES NOT COVER** any damages caused by the use of in-tank cleaners. These products can seriously corrode the fittings in the tank. This damage can cause leakage and property damage. **American Standard will not be responsible or liable for any damage caused by the use of in-tank cleaners.**

American Standard's option to repair or exchange the product under this warranty does not cover any labor or other costs of removal or installation including any costs of any surrounding material such as tile or marble. **American Standard is not responsible for any other incidental or consequential damages attributed to a product defect or to the repair or exchange of a defective product, all of which are expressly excluded from this warranty.** (Some states or provinces do not allow the exclusion or limitation of implied warranties, so this exclusion may not apply to you.)

This warranty gives you specific rights. You may have other statutory rights that may vary from state to state or province to province, in which case this warranty does not affect such statutory rights.

In the United States:
 American Standard Brands
 P.O. Box 6820
 Piscataway, New Jersey 08855
 Attention: Director of Customer Care
 For residents of the United States, warranty information may also be obtained by calling the following toll free number: (800) 442-1902
www.americanstandard.com

In Canada:
 AS Canada, ULC
 5900 Avebury Rd.
 Mississauga, Ontario
 Canada L5R 3M3
 Toll Free: (800) 387-0369
www.americanstandard.ca

In Mexico:
 American Standard B&K Mexico
 S. de R.L. de C.V.
 Via Morelos #330
 Col. Santa Clara
 Ecatepec 55540 Edo. Mexico
 Toll Free: 01-800-839-1200
www.americanstandard.com.mx

PLEASE COMPLETE AMERICAN STANDARD WARRANTY REGISTRATION PROCESS AND SAVE THIS WARRANTY INFORMATION

IMPORTANT: Registration of the toilet must be completed for this warranty to become effective. Your registration will make it easier to contact you in the event of a product recall.*

INSTRUCTIONS: Register your toilet at www.americanstandard.com. Please save your proof of purchase (sale receipt).

If you need assistance or do not have access to our website, please contact American Standard Customer Care at: (800) 442-1902. An American Standard representative will assist in completing the warranty registration.

* In California, your warranty rights remain intact even if you do not complete the registration process.

THIS WARRANTY IS NOT TRANSFERABLE FROM ORIGINAL CONSUMER PURCHASER.

7302165-100

INSTRUCCIONES DE INSTALACIÓN CUIDADO Y MANTENIMIENTO

*American
Standard*

Studio® ActiVate™ Right Height® Alargado Inodoro De Dos Piezas
Modelo 2794.119

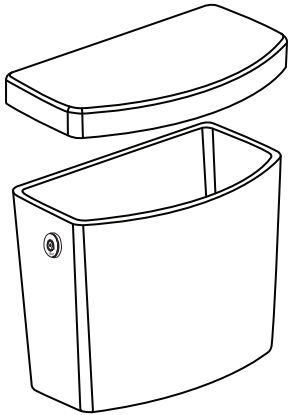
Studio® ActiVate™ Right Height® Frente Redondo Inodoro De Dos Piezas
Modelo 2795.119

Gracias por elegir American Standard - el parámetro de primera calidad por más de 100 años. Para asegurarse de que el producto esté instalado correctamente, por favor lea estas instrucciones cuidadosamente antes de comenzar. (Ciertas instalaciones pueden requerir ayuda profesional). Asegúrese de que su instalación cumpla con los códigos locales.

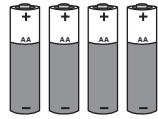
⚠ ADVERTENCIA: EL PRODUCTO ES FRÁGIL. ¡MANIPÚLELO CON CUIDADO PARA EVITAR QUE SE QUIEBRE Y LA POSIBILIDAD DE QUE USTED SE LASTIME!

NOTA: Es posible que las imágenes no definan con exactitud el contorno de la loza y los componentes.

TANQUE 4000.119



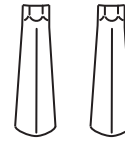
KIT DE INSTALACIÓN FÁCIL INCLUIDO CON EL TANQUE



Baterías AA (4)



Empaque De Acoplamiento
Taza A Tanque

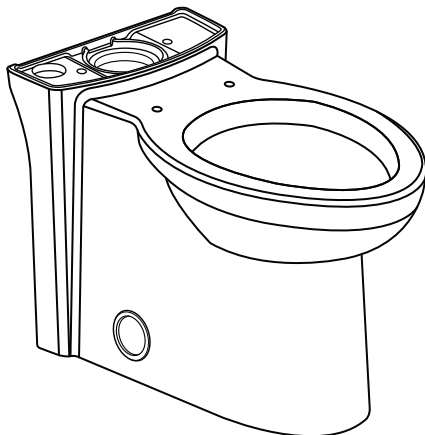


Manijas De Unión
Con Tuercas (2)



Arandelas
Plásticas (2)

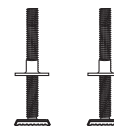
TAZA 3075.120 RIGHT HEIGHT® ALARGADA TAZA 3053.120 RIGHT HEIGHT® FRENTE REDONDO



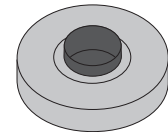
KIT DE INSTALACIÓN FÁCIL INCLUIDO CON LA TAZA



Perillas De La
Taza Al Piso (2)



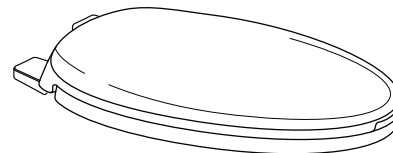
T-Bolts with Retainer (2)



Arillo de Cera

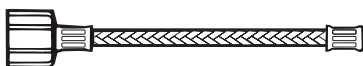


Cubrepijas (2)



* Asiento De Inodoro
* Para instalar el asiento,
revise las instrucciones
incluidas con el asiento .

SE VENDE POR SEPARADO



Línea de Suministro de Agua

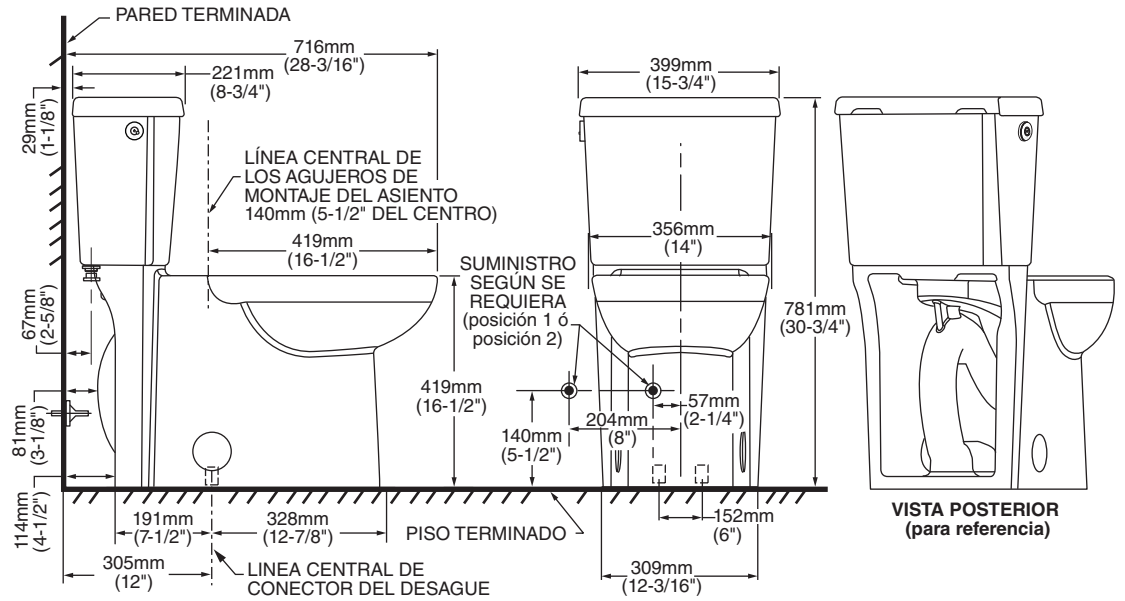
GUARDE ESTAS INSTRUCCIONES PARA UN USO FUTURO

DIMENSIONES DE AJUSTE :

NOTA: La distancia desde la pared a la línea central de la brida para inodoro debe ser la que se indica a continuación:

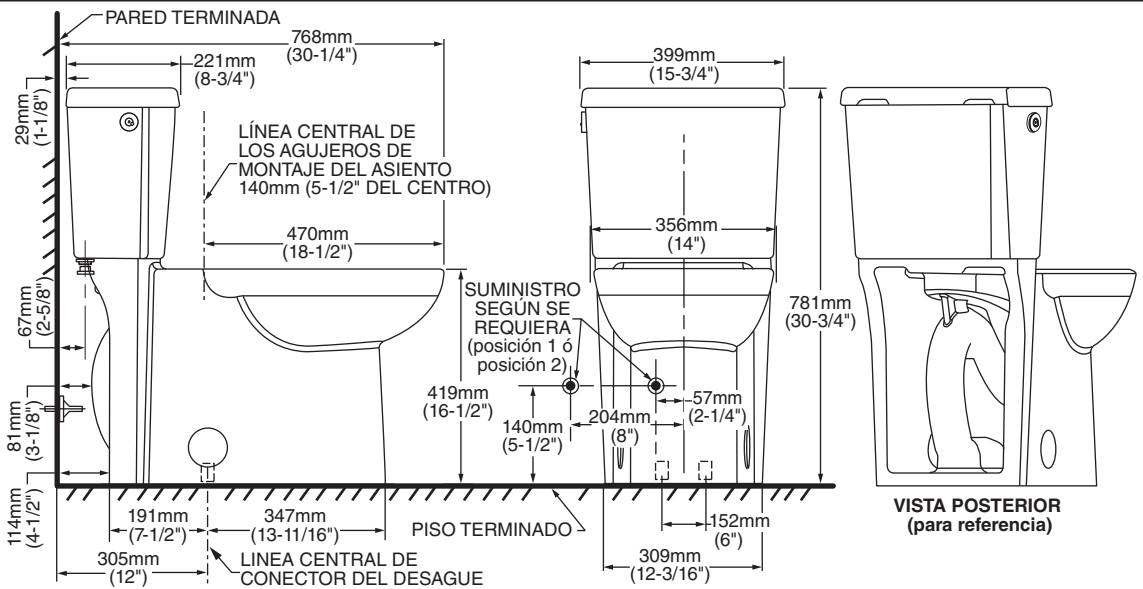
Studio® ActiVate™ Right Height® Frente Redondo Inodoro De Dos Piezas Modelo 2795.119

IMPORTANTE: Se requiere suministro de agua en la pared a 2-1/4" u 8" desde la línea central del inodoro (consulte la sección de preparación). La primera posición sugerida es oculto detrás del inodoro. La geometría del inodoro otorga espacio para esta instalación. La segunda posición sugerida es a un costado del inodoro. Entre estas dos posiciones, el espacio para el suministro entre la pared y el inodoro se limita a 4-1/2". En este caso, revise el suministro y las dimensiones de la manguera.



Studio® ActiVate™ Right Height® Alargado Inodoro De Dos Piezas Modelo 2794.119

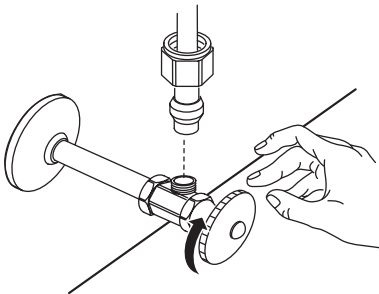
IMPORTANTE: Se requiere suministro de agua en la pared a 2-1/4" u 8" desde la línea central del inodoro (consulte la sección de preparación). La primera posición sugerida es oculto detrás del inodoro. La geometría del inodoro otorga espacio para esta instalación. La segunda posición sugerida es a un costado del inodoro. Entre estas dos posiciones, el espacio para el suministro entre la pared y el inodoro se limita a 4-1/2". En este caso, revise el suministro y las dimensiones de la manguera.



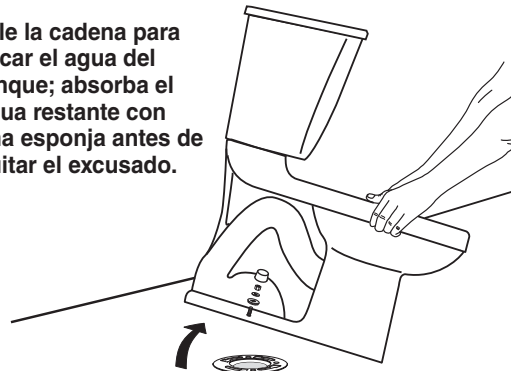
Antes De Comenzar La Instalación:

Quitando Un Inodoro Existente

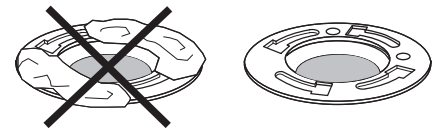
Cierre el Abastecimiento de Agua



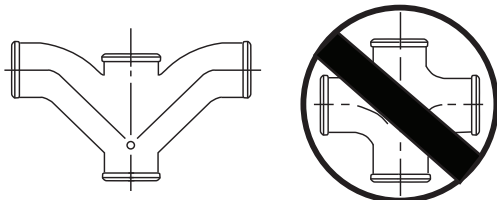
Jale la cadena para sacar el agua del tanque; absorba el agua restante con una esponja antes de quitar el excusado.



Placa Limpia



⚠ Advertencia: si se deja la brida del piso abierta por más de 1 a 2 horas, cubra la brida para evitar que los gases del alcantarillado penetren en el baño.

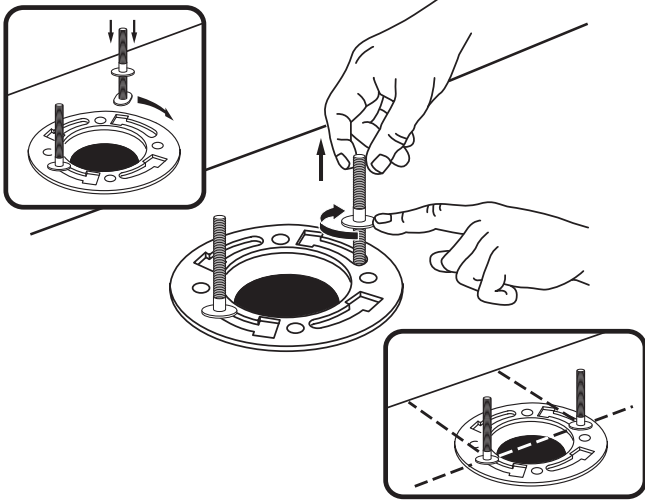


Tipo de accesorio recomendado para instalaciones en oposición.

INSTALACIÓN EN OPOSICIÓN

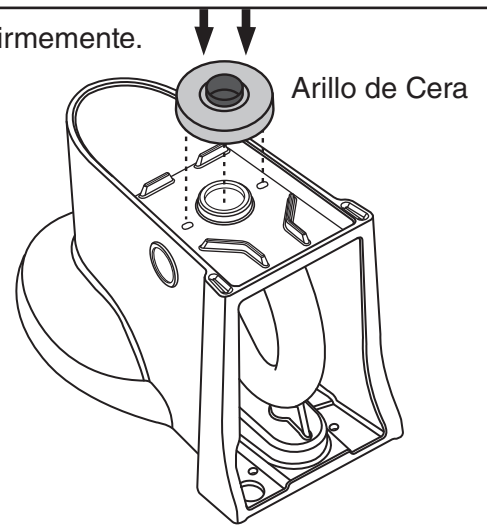
Según las condiciones de plomería y ventilación, el flujo de este inodoro en una instalación espalda con espalda puede crear un vacío en el sistema y tomar agua de la taza contraria. El Código Nacional de Normas de Plomería (National Standards Plumbing Code) prohíbe el uso de un accesorio cruzado para el drenaje, debido a la posibilidad de rechazo. El código aprueba un accesorio direccional tipo "Y" con una ventilación adecuada para dirigir el agua hacia abajo y lejos del otro inodoro.

1

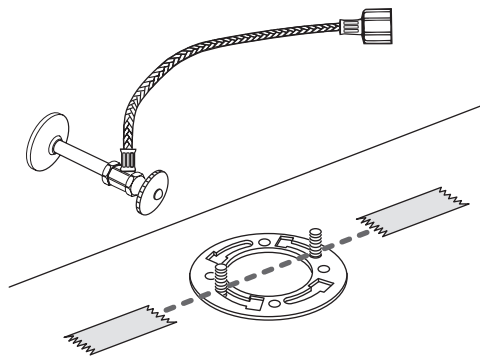


2

Presionar firmemente.



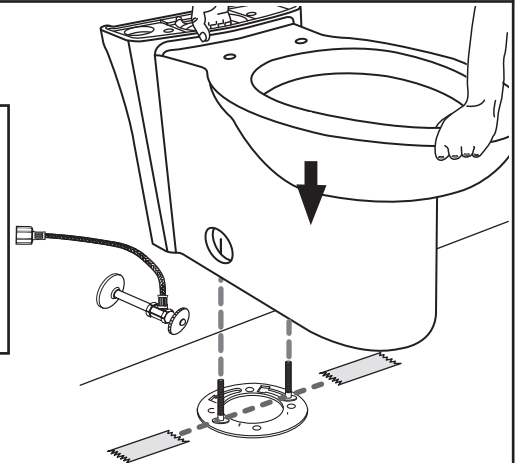
3



CONSEJO: Coloque 2 trozos de cinta protectora en el piso (como se muestra) para ayudar con el alineamiento del paso 4.

4

Aplique peso de manera uniforme. No lo mueva después de ubicarlo. Puede romperse el sellado hermético.

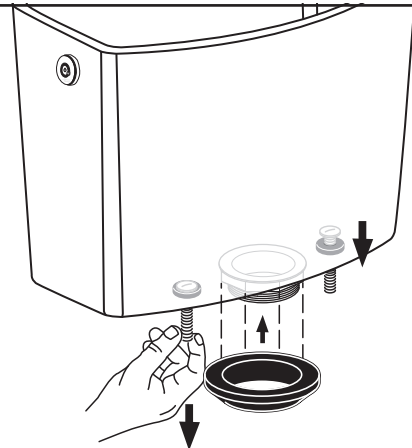


5



⚠ Ajuste a mano únicamente. No ajuste en exceso.

6



7

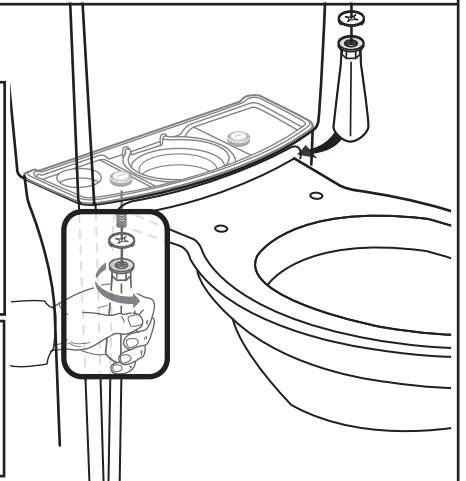
Enrosque y luego ajuste a mano el suministro de agua.



8

Ajuste las manijas alternadamente hasta que el tanque esté en contacto con la taza. **¡AJUSTE A MANO ÚNICAMENTE!**

* Para instalar el asiento, revise las instrucciones incluidas con el asiento.



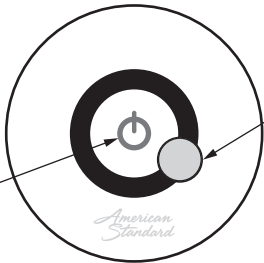


ADVERTENCIA : Si aprieta demasiado las tuercas de la tubería que suministra agua, puede provocar una rotura y causar una inundación. Si la conexión tiene una fuga después de apretar todo a mano, reemplace el tubo de suministro de agua. No utilice ninguna clase de sellador en la conexión de la tubería. *El uso de masilla de plomería, lubricante o cualquier otra clase de sellador invalidará la garantía.*

9

CARA DEL ACCIONADOR

ÍCONO DE ENCENDIDO



BOTÓN DE DESCARGA MANUAL

PERILLA DE AJUSTE DEL NIVEL DE AGUA*
*Ver el paso 1 de "PARA OPERAR EL INODORO" de la "GUÍA DE FUNCIONAMIENTO" más abajo.

PAQUETE DE BATERÍAS AA



VÁLVULA DE LLENADO

ACCIONADOR

MANGUERA DE AIRE

COLLARES PARA FIJAR LA MANGUERA

TORRE DE LA VÁLVULA DE DESCARGA
Ajuste el nivel de agua hasta la línea de nivel de agua indicada en la parte posterior del tanque.

GUÍA DE FUNCIONAMIENTO



PARA INSTALAR LAS BATERÍAS
(4) Baterías AA ÚNICAMENTE
(NO USE DE 9 VOLTIOS)

- Paso 1) Abra la tapa del compartimento de goma de las baterías, retire la bandeja de las baterías e instale 4 baterías AA alcalinas en la bandeja.
- Paso 2) Inserte la bandeja de las baterías en el compartimento de las baterías y conecte el enchufe del sensor en la bandeja de las baterías. El sensor brillará con una luz roja una vez seguida de 3 luces azules intermitentes consecutivas.
- Paso 3) Dirija los cables hacia la ranura en el compartimento de las baterías y cierre la tapa de dicho compartimento asegurándose de que esté bien cerrada para evitar la corrosión.

PARA OPERAR EL INODORO

- * Paso 1) Encienda el suministro de agua. Ajuste el nivel del agua a la línea de nivel de agua indicada en la parte posterior del tanque girando la perilla de ajuste del nivel de agua en la válvula de llenado para mover el flotador hacia arriba o hacia abajo. Si gira la perilla en sentido horario, aumentará el nivel de agua. Si gira la perilla en sentido antihorario, bajará el nivel de agua.
**Para lograr un rendimiento óptimo, es fundamental que el agua tenga exactamente el nivel especificado.

- Paso 2) Para descargar el inodoro, mueva la mano dentro de 3 pulgadas del sensor de activación en la parte lateral del inodoro. El sensor brillará con una luz azul dos veces.

PARA OPERAR LA FUNCIÓN DE ENCENDIDO/APAGADO

***La función de encendido/apagado coloca al sensor en modo apagado durante 10 minutos, lo que permite limpiar el área del baño sin que se descargue constantemente el inodoro sin contacto.*

- Paso 1) La función se activa tocando el ícono de encendido durante 3 a 6 segundos. El sensor brillará con una luz azul dos veces y luego brillará de manera constante con una luz roja mientras siga en este modo.
- Paso 2) Salga del modo apagado tocando el ícono de encendido durante 3 a 6 segundos. El sensor brillará con una luz azul 4 veces.

GUÍA DE SOLUCIÓN DE PROBLEMAS

Problema/Indicador	Posible Causa	Acción Correctiva
No descarga o descarga con retraso	a. No hay baterías	a. Instale 4 baterías AA alcalinas en la caja de baterías de activación.
	b. Baterías muertas. Una luz brillará de manera intermitente cada vez que el sensor se opera para indicar batería baja.	b. Reemplace las 4 baterías AA en la caja de baterías de activación con nuevas baterías.
	c. Nivel incorrecto de agua en el tanque	c. Un nivel de agua demasiado bajo o alto afectará el rendimiento de la descarga. Llene el tanque con agua hasta el nivel correcto, tal como se especifica en la parte posterior del tanque.
	d. La manguera de aire no está conectada	d. Conecte la manguera de aire con la válvula en el extremo de la unidad de activación.
	e. No hay agua en el tanque	e. Llene el tanque con agua hasta el nivel especificado en la etiqueta ubicada en la parte posterior del tanque.
	f. El sensor está APAGADO. Una luz roja brillará de manera intermitente cuando el sensor está APAGADO.	f. La función de encendido/apagado coloca el sensor en modo apagado durante 10 minutos, lo que permite limpiar el área del baño sin que se descargue constantemente el inodoro sin contacto. La función se activa tocando el ícono de encendido durante 3 a 6 segundos. Salga del modo encendido/apagado tocando el ícono de encendido durante 3 a 6 segundos, tal como lo indican los 4 destellos del LED azul.
	g. El inodoro está tapado	g. Primero desactive el sensor desconectando el conector de las baterías de la unidad del sensor y use el botón de descarga manual si necesita descargar después de destapar el inodoro. Una vez que el inodoro esté destapado, puede volver a conectar el conector de las baterías a la unidad del sensor y operar el sensor normalmente.
	h. El inodoro está en modo bloqueo (se inició la descarga durante un ciclo ya existente de descarga/llenado)	h. Después de iniciar una orden de descarga, el inodoro entrará temporalmente en "modo bloqueo" y no aceptará otra orden de descarga hasta aproximadamente 35 segundos después. Esto es necesario para que el sistema realice un ciclo completo de descarga y rellenado.
	i. El movimiento de la mano sin contacto fue demasiado rápido	i. Inicie un movimiento de la mano un tanto más lento dentro del área del sensor.
	j. El movimiento de la mano sin contacto no fue en el área de detección del sensor	j. El área de detección del sensor está directamente delante de la cara del sensor y hasta 3 pulgadas de la superficie.
	k. Válvula de suministro de agua cerrada	k. Abra la válvula y deje que el tanque se llene de agua.
	l. Línea de suministro bloqueada	l. Cierre el suministro de agua, desconecte la línea de suministro e inspeccione todas las juntas y arandelas. Vuelva a armar.
	m. Arena o desechos en el control de agua	m. Cierre el suministro de agua. Retire la tapa y limpie según las instrucciones de mantenimiento de Fluidmaster en: http://www.uidmaster.com/valve-runs-non-stop.html
Fuga	a. Nivel de agua incorrecto	a. Un nivel de agua demasiado bajo o alto afectará el rendimiento de la descarga y puede causar fugas. Llene el tanque con agua hasta el nivel correcto, tal como se especifica en la etiqueta ubicada en la parte posterior del tanque.
	b. Desechos en la superficie de sellado	b. Retire los desechos en la superficie de sellado que causan la fuga.
	c. Tuerca de vástago floja	c. Ajuste la tuerca del vástago para eliminar la fuga.
	d. El nivel de rellenado del agua es demasiado alto	d. Hay fugas a través del tubo de rebosadero debido que la configuración del flotador de la válvula de llenado es demasiado alta. Baje la configuración del flotador hasta que la válvula de llenado se vuelva a llenar hasta el nivel de agua correcto.
Descarga parcial	a. La grapa o el tubo de rellenado no está instalado en el tubo de rebosadero	a. Conecte la grapa de rellenado al tubo de rebosadero.
	b. Nivel de agua incorrecto	b. Un nivel de agua demasiado bajo o alto afectará el rendimiento de la descarga. Llene el tanque con agua hasta el nivel correcto, tal como se especifica en la etiqueta ubicada en la parte posterior del tanque.
	c. El botón de descarga manual no fue presionado por completo	c. Presione aun más el botón de descarga manual.
Descarga no deseada	a. Movimiento u objeto en el área del sensor	a. Retire el artículo del área de activación del sensor.
	b. Autodescarga	b. Cuando no esté en uso, el sistema iniciará una descarga automática cada 12 días.
No funciona el botón manual	a. El modo sin contacto está activo (las baterías están conectadas, el sistema no está APAGADO)	a. Si un usuario intenta presionar el botón manual, el sistema sin contacto reconocerá el movimiento en el área de activación e iniciará la descarga antes de que el usuario pueda presionar el botón.
	b. El botón manual no fue presionado por completo	b. Presione aun más el botón de descarga manual.
	c. No hay agua en el tanque	c. Llene el tanque con agua hasta el nivel especificado en la etiqueta ubicada en la parte posterior del tanque.
	d. La manguera de aire no está conectada	d. Conecte la manguera de agua con la válvula en un extremo y la unidad de activación en el otro extremo. Deslice los collares de la manguera sobre los extremos para fijarla en su lugar.
	e. Nivel de agua incorrecto	e. Un nivel de agua demasiado bajo o alto afectará el rendimiento de la descarga. Llene el tanque con agua hasta el nivel correcto, tal como se especifica en la etiqueta ubicada en la parte posterior del tanque.
El LED rojo tiene luz intermitente durante la descarga	a. Queda poca batería.	a. Reemplace las baterías.
El LED rojo tiene luz intermitente constantemente	a. El sensor está APAGADO	a. Salga del modo APAGADO tocando el ícono de encendido durante 3 a 6 segundos, tal como lo indican los 4 destellos del LED azul.
El LED azul no tiene luz intermitente	a. El sistema recibió una orden de descarga y está ejecutando un ciclo de descarga	a. N/D
El LED brilla rojo y azul	a. El sistema está ejecutando la fase inicial de arranque después de conectar las baterías	a. N/D Es el comportamiento normal del sensor al iniciarse.
El inodoro tiene una fuga	a. Mala conexión con la línea de suministro	a. Revise el paso 10 de las instrucciones de instalación.
	b. Mala conexión de la taza al tanque/piso	b. Revise los pasos 3 a 8 del procedimiento de instalación.
La taza del inodoro se balancea después de la instalación	a. Anillo de cera no comprimido por completo	a. Vuelva a ajustar las perillas de la taza al piso.
	b. El piso no está nivelado	b. Use los calces del inodoro y/o coloque una gota de calafateo alrededor de la base del inodoro.

LA LISTA DE PARTES TAMBIÉN ESTÁ DEBAJO DE LA TAPA DEL TANQUE.

LISTA DE PARTES

PL 7302164-100 Rev.A

Las partes se determinan según el número de tanque de inodoro que figura dentro del tanque.
NOTA: "XXX" representa las opciones de color o acabado del accesorio. Especifíquelo al realizar el pedido.

735158-400.XXX	Tapa Del Tanque
7381125-400.0070A	Kit De Válvula De Entrada Universal
7381551-401.0070A	Conjunto De Torre De La Válvula De Descarga Con Junta, Arandela Y Tuerca
7381553-201.0070A	Conjunto De Manguera Con Manguitos De Seguridad
7381549-201.0070A	Flotador De Válvula De Descarga Con Empaque
7381550-201.0070A	Accionador Menos Caja De Baterías
7381552-201.0070A	Caja De Baterías
7381147-200.0070A	Kit De Acoplamiento Del Tanque A La Taza Con Junta
7381437-200.0070A	Kit De Ferretería Para Montaje En El Piso (Tornillos T, Sujetadores Y Perillas De Tornillos)
7301540-200.XXX0A	Kit De Tapas De Pernos - (Incluye Tapas, Manguitos Y Aros De Retención)

CUIDADO Y LIMPIEZA

Cuando limpie el inodoro, lávelo con agua con jabón suave, enjuague completamente con agua limpia y seque con un paño suave.

ADVERTENCIA: No use limpiadores dentro del tanque. Esos productos pueden corroer seriamente los accesorios del tanque. Dicho daño puede provocar fugas y daños a la propiedad. **American Standard no será responsable civil ni legal por ningún daño provocado por el uso de limpiadores dentro del tanque.**

GARANTÍA LIMITADA LIBRE DE PREOCUPACIONES DEL INODORO

Este inodoro posee una garantía limitada de por vida para la porcelana, una garantía limitada de 5 años para las partes mecánicas del inodoro, una garantía de 1 año para las piezas eléctricas y una garantía limitada de 1 año para el asiento del inodoro si se incluye con producto. Si la inspección de este producto de plomería de AS America, Inc. ("American Standard"), incluidas las piezas de cerámica y todos los componentes mecánicos, confirma defectos en sus materiales o fabricación, American Standard reparará o, cambiará el producto por un modelo igual o similar.

Esta garantía se aplica exclusivamente al comprador e instalación no comercial originales de estos productos. En caso de que se efectúe un reclamo bajo garantía limitada, será necesario adjuntar una demostración de compra; guarde los recibos de compra.

Para que esta garantía entre en vigor, el proceso de finalización de la garantía debe concretarse vía Internet o telefónica según las instrucciones de registro de garantía.

Esta garantía limitada no se aplica a las instalaciones comerciales. La garantía para las instalaciones comerciales es de 1 año para la porcelana y las partes mecánicas, una garantía de 1 año para las piezas eléctricas y una garantía limitada de 1 año para el asiento del inodoro si se incluye con producto.

Esta garantía limitada **no se aplica** al cumplimiento de las normas de construcción locales. Dado que los códigos de construcción local varían considerablemente, el comprador del producto debe, antes de la instalación, consultar con su contratista de construcción o plomería local si quiere garantizar el cumplimiento de las normas locales.

Esta garantía **será nula** si el producto es retirado de su lugar original de instalación; si ha sido sufrido mantenimiento incorrecto, abuso, mal uso, accidentes u otros daños; si no se lo instala de acuerdo con las instrucciones de American Standard; o si se ha modificado de forma incompatible con el producto enviado por American Standard.

ADVERTENCIA: Esta garantía **NO CUBRE** ningún daño causado por el uso de limpiadores para el interior del tanque. Estos productos pueden corroer seriamente los accesorios en el tanque. Este daño puede provocar goteos y daños a la propiedad. **American Standard no se hará cargo ni será responsable de ningún daño causado por el uso de limpiadores para el interior del tanque.**

La opción de American Standard de reparar o cambiar el producto según esta garantía no cubre la mano de obra ni otros costos de extracción o instalación, incluidos los costos de cualquier material circundante como azulejos o mármol. **American Standard no es responsable de ningún otro daño indirecto o fortuito atribuido a defectos en el producto o a las reparaciones o al recambio de un producto con fallas, por lo que se los excluye expresamente de esta garantía.** (Algunos estados o provincias no permiten hacer exclusiones o limitaciones de las garantías implícitas, de modo que esta exclusión puede no corresponderle.)

Esta garantía le otorga derechos específicos. Los derechos estatales que usted pueda tener y que posiblemente varían de un estado a otro o de una provincia a otra, no quedan afectados por esta garantía.

7302165-100SP

En los Estados Unidos:

American Standard Brands
 P.O. Box 6820
 Piscataway, New Jersey 08855
 Atención: Director de Servicio al Cliente
 Para los residentes en los Estados Unidos, la información de la garantía puede obtenerse también llamando al siguiente número sin cargo: (800) 442-1902
www.americanstandard.com

En Canadá:

AS Canada, ULC
 5900 Avebury Rd.
 Mississauga, Ontario
 Canadá L5R 3M3
 Número sin cargo: (800) 387-0369
www.americanstandard.ca

En México:

American Standard B&K México
 S. de R. L. de C.V.
 Vía Morelos #330
 Col. Santa Clara
 Ecatepec 55540 Edo. México
 Número sin cargo: 01-800-839-1200
www.americanstandard.com.mx

COMPLETE EL PROCESO DE REGISTRO DE GARANTÍA DE AMERICAN STANDARD Y CONSERVE ESTA INFORMACIÓN DE GARANTÍA

IMPORTANTE: El registro del inodoro debe concretarse para que esta garantía entre en vigor. El registro facilitará el contacto con usted en el caso del retiro de un producto.*

INSTRUCCIONES: En Estados Unidos, registre su inodoro en www.americanstandard.com. Por favor guarda tu comprobante de compra (ticket de compra). Si necesitas asistencia o no tienes acceso a nuestra página web, por favor contacta American Standard Customer Care al (800) 442-1902. Un representante de American Standard te asistirá en completar el registro de la garantía. En México, llame al 01-800-839-1200.

* En California, tus derechos de garantía permanecen intactos incluso si no completas el proceso de registro.

ESTA GARANTÍA NO ES TRANSFERIBLE POR EL COMPRADOR ORIGINAL.

INSTRUCTIONS D'INSTALLATION ENTRETIEN ET NETTOYAGE

*American
Standard*

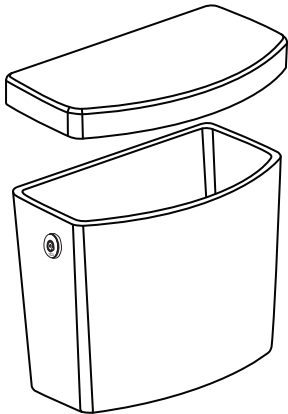
Studio® ActiVate™ Right Height® Allongée Toilette Deux Pièces
Modèle 2794.119

Studio® ActiVate™ Right Height® Devant Rond Toilette Deux Pièces
Modèle 2795.119

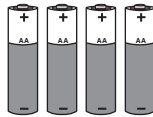
Nous vous remercions d'avoir choisi American Standard, synonyme de qualité supérieure depuis plus de 100 ans. Pour s'assurer que ce produit soit bien installé, veuillez lire ces instructions attentivement avant de commencer. (Certaines installations peuvent requérir une aide professionnelle.) Assurez-vous également que votre installation se conforme aux codes locaux.

⚠ ATTENTION: CE PRODUIT EST FRAGILE. POUR ÉVITER LES BRIS ET DES BLESSURES, MANIPULER AVEC SOIN!
NOTE: Les dessins peuvent ne pas correspondre exactement aux contours de l'appareil ou des composantes.

RÉSERVOIR 4000.119



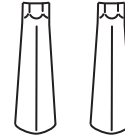
NÉCESSAIRE D'INSTALLATION FACILE INCLUS AVEC LE RÉSERVOIR



Piles AA (4)



Joint Statique Entre Le
Réservoir Et La Cuvette

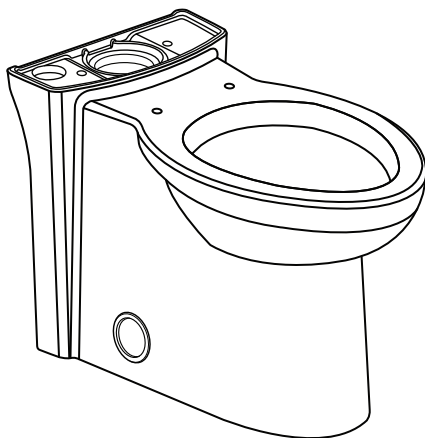


Poignées D'attachement
Avec Des Écrous (2)



Rondelles En
Plastique (2)

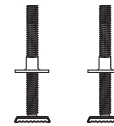
CUVETTE 3075.120 RIGHT HEIGHT® ALLONGÉE CUVETTE 3053.120 RIGHT HEIGHT® DEVANT ROND



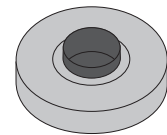
NÉCESSAIRE D'INSTALLATION FACILE INCLUS AVEC LA CUVETTE



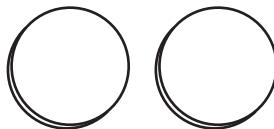
Boutons De
Cuvette-à-plancher (2)



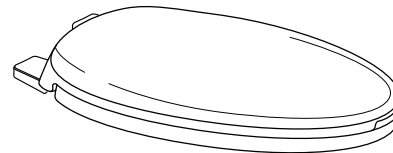
Boulons En T
Avec L'arrière (2)



Wax Ring



Boulon (2)



*Anneau De Cire

*Pour l'installation de
siège, voir les instructions
incluses avec le siège.

VENDU SÉPARÉMENT



TUYAU D'ALIMENTATION EN EAU

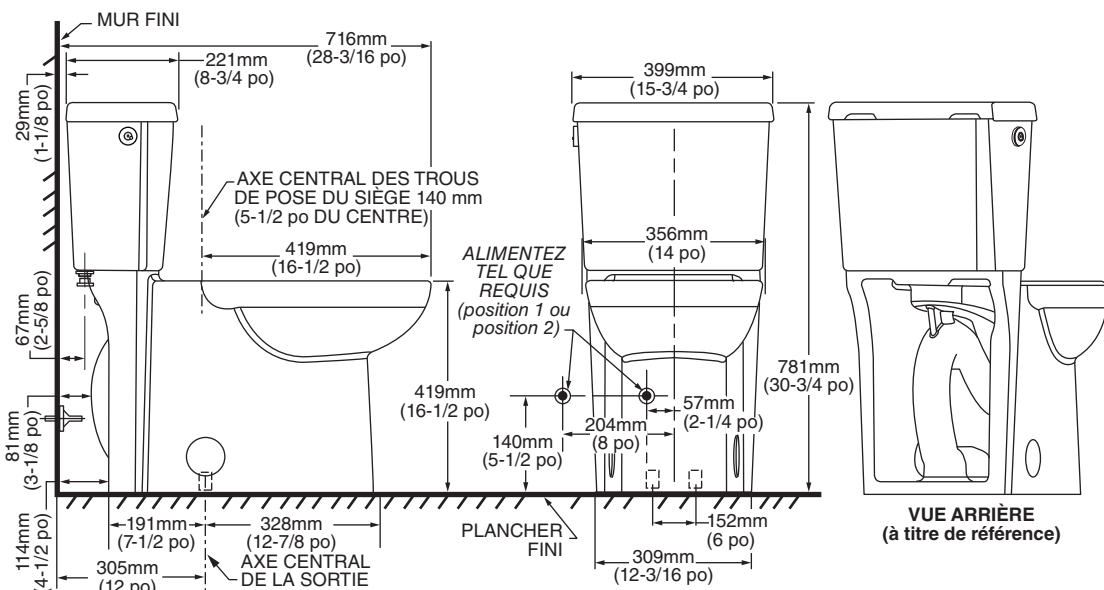
C O N S E R V E R P O U R R É F É R E N C E F U T U R E

DIMENSIONS D'AJUSTEMENT :

REMARQUE : La distance entre le mur et l'axe central de la bride de sol doit correspondre à ce qui est indiqué :

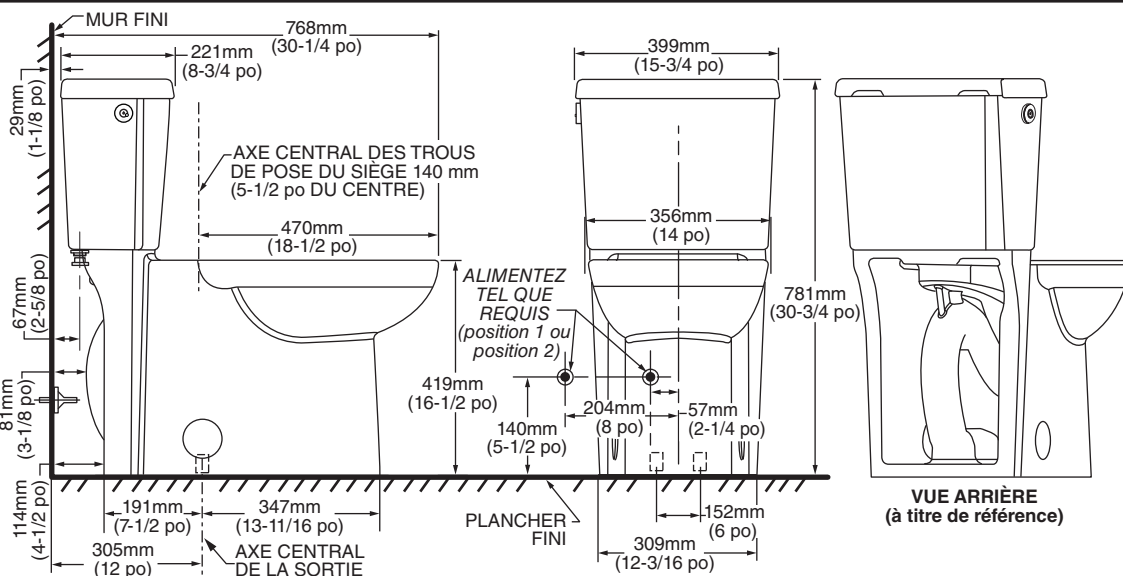
Studio® ActiVate™ Right Height® Devant Rond Toilette Deux Pièces Modèle 2795.119

IMPORTANT : L'alimentation en eau doit être à 2 1/4 po ou 8 po de la ligne du centre de la toilette (voir mesures fournies). La première position suggérée est cachée derrière la toilette. La géométrie de la toilette laisse suffisamment d'espace pour cette installation. La seconde position suggérée est à côté de la toilette. Entre ces deux positions, l'espace pour l'alimentation entre le mur et la toilette est limité à 4-1/2 po. Dans ce cas, vérifier les dimensions de l'alimentation et du tuyau.



Studio® ActiVate™ Right Height® Allongée Toilette Deux Pièces Modèle 2794.119

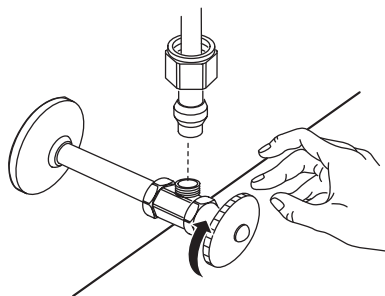
IMPORTANT : L'alimentation en eau doit être à 2 1/4 po ou 8 po de la ligne du centre de la toilette (voir mesures fournies). La première position suggérée est cachée derrière la toilette. La géométrie de la toilette laisse suffisamment d'espace pour cette installation. La seconde position suggérée est à côté de la toilette. Entre ces deux positions, l'espace pour l'alimentation entre le mur et la toilette est limité à 4-1/2 po. Dans ce cas, vérifier les dimensions de l'alimentation et du tuyau.



Avant De Commencer :

Pour Retirer Une Toilette En Place

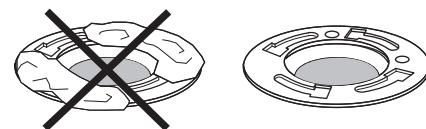
Couper l'alimentation en eau.



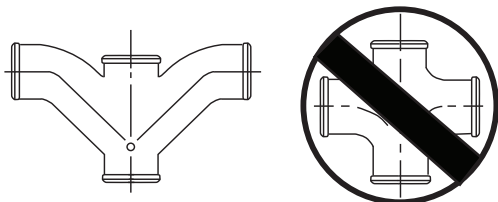
Tirer la chasse d'eau pour éliminer l'eau du réservoir ; éponger l'eau qui reste dans la cuvette avant de retirer la toilette.



Nettoyage De La Bride



Attention : si la bride de plancher demeure ouverte pendant plus d'une à deux heures, couvrir la bride pour empêcher les gaz d'échapper.

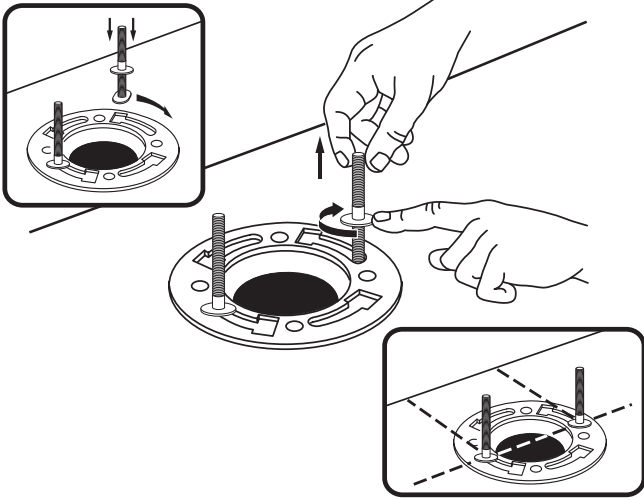


Type de raccord recommandé pour les installations parallèles.

INSTALLATION EN PARALLÈLE

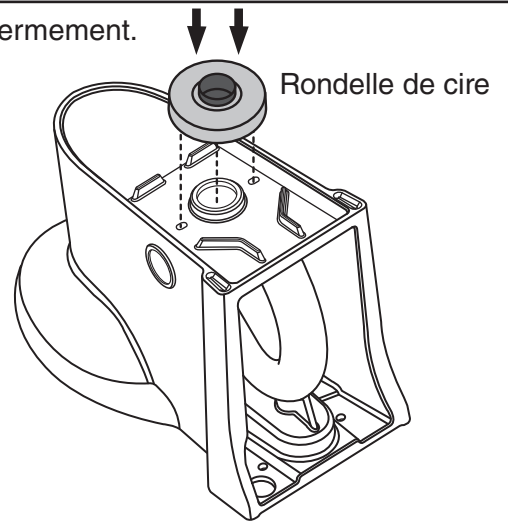
Selon l'état de votre plomberie et de votre ventilation, le débit de cette toilette dans une installation en parallèle pourrait créer une succion dans le système et tirer de l'eau de la cuvette opposée. Le code des normes nationales de plomberie interdit l'utilisation d'un raccord en croix pour le drainage puisqu'il y a un risque de basculement. Le code approuve l'utilisation d'un raccord en Y de type directionnel avec une ventilation appropriée qui dirige l'eau vers le bas et loin de l'autre toilette.

1

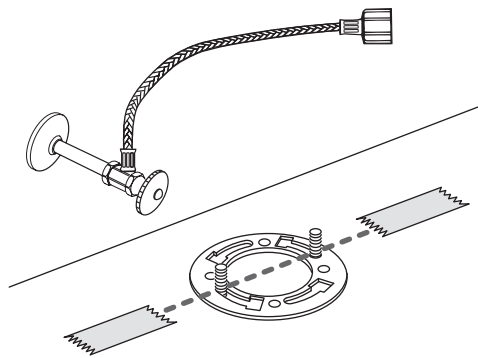


2

Appuyez fermement.



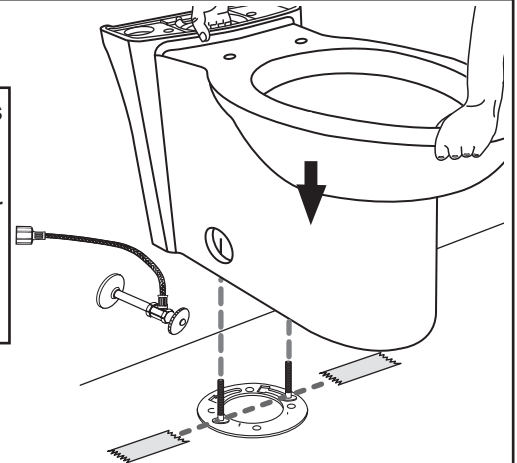
3



CONSEIL : coller 2 morceaux de ruban adhésif sur la plancher (tel qu'illustré) pour faciliter l'alignement à l'étape 4.

4

Appliquez du poids uniformément. Ne déplacez pas la toilette après l'avoir mise en place. Le seau étanche risque de briser.

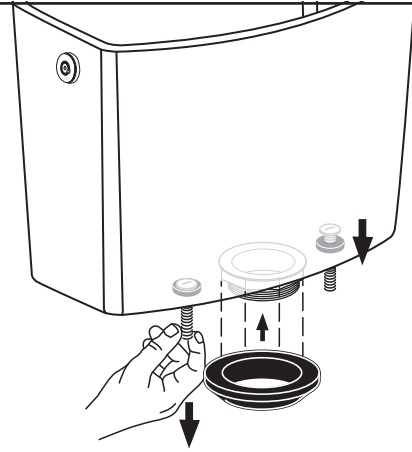


5



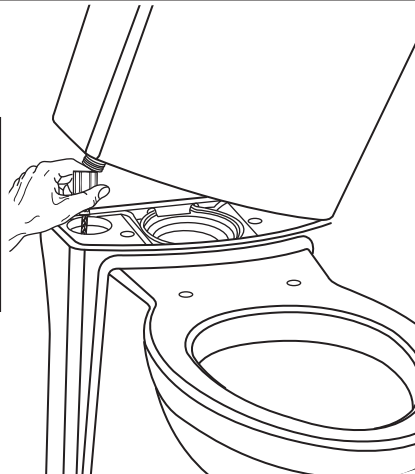
⚠ Serrez À La Main Seulement. Ne Serrez Pas Excessivement.

6



7

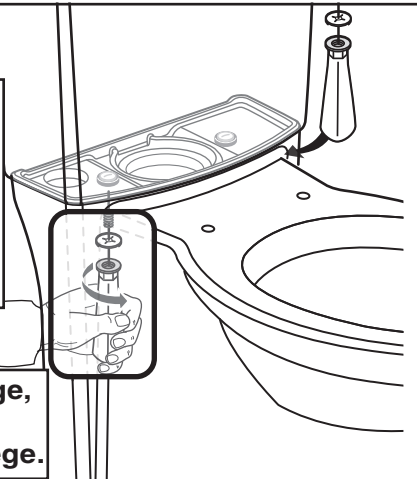
Enfiler, puis resserrer la tuyau d'alimentation à la main.



8

Serrer les poignées alternativement jusqu'à ce que le réservoir soit en contact avec la cuvette. **SERREZ À LA MAIN SEULEMENT!**

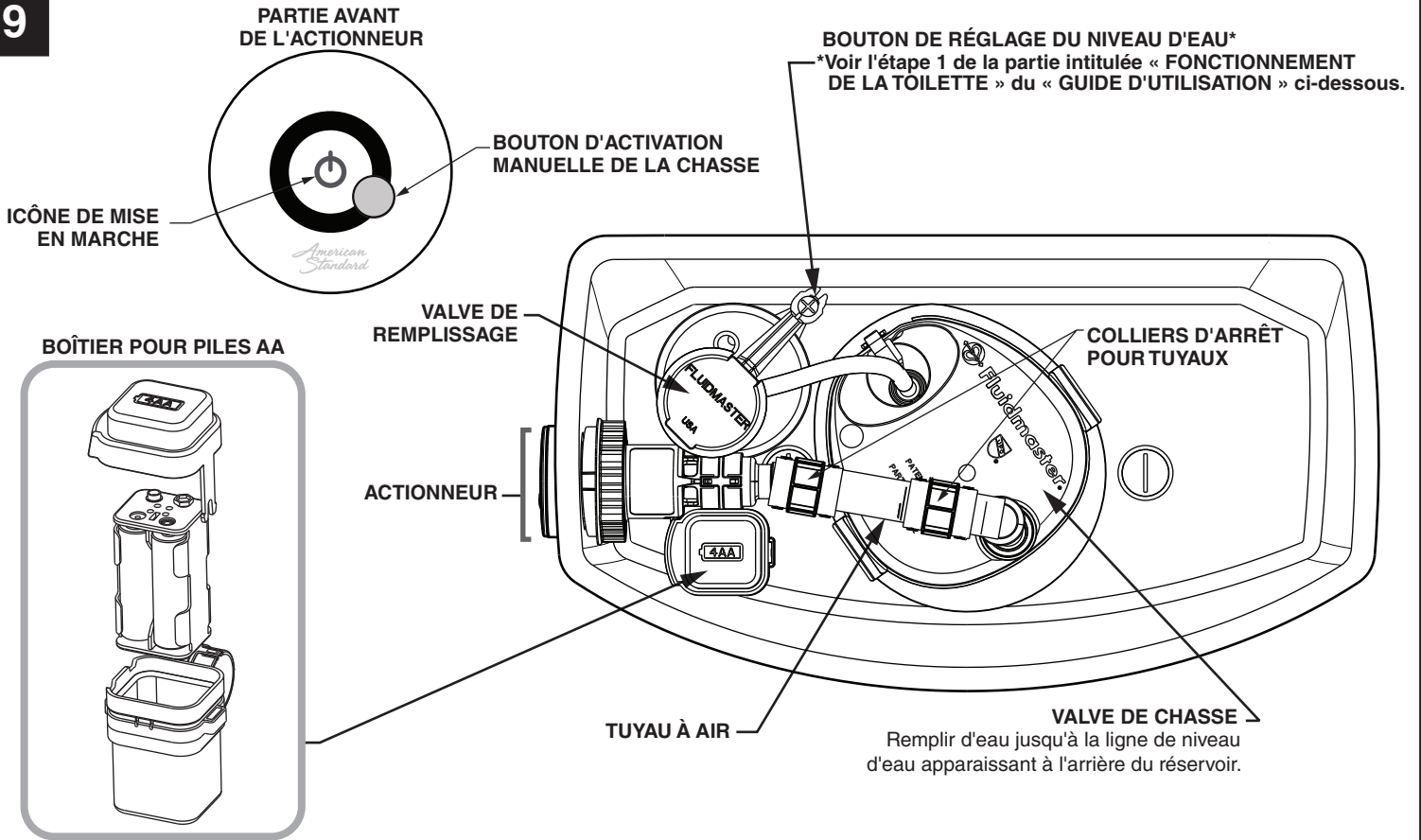
* Pour installer le siège, voir les consignes comprises avec le siège.





MISE EN GARDE : Un serrement excessif des écrous du tuyau d'alimentation en eau pourrait entraîner un bris et une éventuelle inondation. Si le raccord fuit après le serrage à la main, remplacez la conduite d'alimentation. N'utilisez aucun scellant sur le raccord de l'alimentation en eau. L'utilisation de mastic de plomberie, de pâte lubrifiante ou de tout autre type de scellant annulera la garantie.

9



GUIDE D'UTILISATION



INSTALLATION DES PILES
(4) Piles AA UNIQUEMENT
(NE PAS UTILISER DE PILES DE 9 VOLTS)

Étape 1) Soulever le couvercle du boîtier en caoutchouc contenant les piles, sortir le support de piles et y placer quatre piles AA alcalines.

Étape 2) Replacer le support de piles dans le boîtier contenant les piles et raccorder la prise du capteur au support de piles. Le voyant lumineux rouge du capteur clignotera une fois, puis le voyant lumineux bleu clignotera trois fois de suite.

Étape 3) Faire passer les câbles par la fente du boîtier contenant les piles et refermer le couvercle du boîtier en veillant à ce qu'il soit bien fermé pour éviter toute corrosion.

FONCTIONNEMENT DE LA TOILETTE

* Étape 1) Ouvrir l'alimentation d'eau. Remplir d'eau jusqu'à la ligne de niveau d'eau apparaissant à l'arrière du réservoir en tournant le bouton de réglage du niveau d'eau situé sur la valve de remplissage pour déplacer le flotteur vers le haut ou vers le bas. Tourner le bouton dans le sens horaire permet d'augmenter le niveau d'eau. Tourner le bouton dans le sens antihoraire permet de réduire le niveau d'eau. Pour obtenir un rendement optimal, il est essentiel que l'eau atteigne exactement le niveau d'eau indiqué.

Étape 2) Pour déclencher la chasse, passer la main à une distance maximale de trois pouces du capteur d'activation sur le côté de la toilette. Le voyant lumineux bleu du capteur clignotera deux fois.

FONCTION MARCHÉ/ARRÊT

** La fonction marche/arrêt met le capteur en mode hors tension pendant 10 minutes, ce qui permet de nettoyer la salle de bains sans déclencher constamment la toilette sans contact.

Étape 1) La fonction peut être activée en appuyant sur l'icône de mise en marche pendant 3 à 6 secondes. Le voyant lumineux bleu du capteur clignotera deux fois, puis le voyant lumineux rouge clignotera en permanence tant que cette fonction sera activée.

Étape 2) La fonction peut être désactivée en appuyant sur l'icône de mise en marche pendant 3 à 6 secondes. Le voyant lumineux bleu du capteur clignotera quatre fois.

GUIDE DE DÉPANNAGE

Problème/Indicateur	Cause Possible	Mesure Corrective
La chasse ne se déclenche pas ou tarde à se déclencher.	a. Absence de piles	a. Placez quatre piles alcalines AA dans le porte-batterie d'activation.
	b. Piles à plat. Une lumière rouge clignote chaque fois que le capteur est activé pour indiquer que la charge de la pile est faible.	b. Remplacer les quatre piles AA du porte-batterie d'activation par des piles neuves.
	c. Niveau d'eau inadéquat dans le réservoir	c. Un niveau d'eau trop bas ou trop élevé a des répercussions sur le rendement de la chasse. Remplir le réservoir d'eau jusqu'au niveau adéquat, tel qu'indiqué à l'arrière du réservoir.
	d. Tuyau à air non raccordé	d. Raccorder le tuyau à air à la vanne à l'extrémité de l'unité d'activation.
	e. Absence d'eau dans le réservoir	e. Remplir le réservoir d'eau jusqu'au niveau indiqué sur l'étiquette située à l'arrière du réservoir.
	f. Le capteur est hors tension. Une lumière rouge clignote lorsque le capteur est hors tension.	f. La fonction marche/arrêt met le capteur en mode hors tension pendant 10 minutes, ce qui permet de nettoyer la salle de bains sans déclencher constamment la toilette sans contact. Cette fonction peut être activée en touchant l'icône de mise en marche pendant 3 à 6 secondes. Le mode marche/arrêt peut être désactivé en appuyant sur l'icône de mise en marche pendant 3 à 6 secondes, comme l'indiquent les quatre clignotements de la DEL bleue.
	g. La toilette est bouchée.	g. Désactiver tout d'abord le capteur en débranchant le connecteur de batterie du capteur, et utiliser le bouton d'activation manuelle de la chasse si vous avez besoin d'utiliser la chasse après avoir débouché la toilette. Une fois la toilette débouchée, vous pouvez rebrancher le connecteur de batterie au capteur et utiliser le capteur normalement.
	h. La toilette est en mode verrouillage (la commande de la chasse a été activée pendant un cycle de chasse/remplissage).	h. Après avoir déclenché la chasse, la toilette se met temporairement en « mode verrouillage », et ne prend en compte aucune action sur la commande de chasse pendant environ 35 secondes. Cela est nécessaire afin que le système puisse mener à bien un cycle de chasse et de remplissage complet.
	i. Le passage de main sans contact a été trop rapide.	i. Passer la main un peu plus lentement dans la zone du capteur.
	j. Le passage de main sans contact n'a pas été effectué dans la zone de détection du capteur.	j. La zone de détection du capteur se situe directement en face de la face du capteur et jusqu'à une distance de trois pouces de la surface.
	k. La valve d'alimentation d'eau est fermée.	k. Ouvrir la vanne et remplir le réservoir d'eau.
	l. La conduite d'alimentation est bloquée.	l. Fermer l'alimentation d'eau, débrancher la tuyauterie d'alimentation et vérifier les joints et rondelles. Remonter le tout.
	m. Du sable ou des débris sont logés dans la commande d'eau.	m. Couper l'alimentation en eau. Enlever le capuchon et nettoyer selon les instructions d'entretien de Fluidmaster fournies à l'adresse : http://www.fluidmaster.com/valve-runs-non-stop.html .
Fuite	a. Niveau d'eau inadéquat	a. Un niveau d'eau trop bas ou trop élevé a des répercussions sur le rendement de la chasse et peut entraîner des fuites. Remplir le réservoir d'eau jusqu'au niveau adéquat, tel qu'indiqué sur l'étiquette située à l'arrière du réservoir.
	b. Débris sur la surface d'étanchéité	b. Retirer les débris présents sur la surface d'étanchéité à l'origine de la fuite.
	c. Écrou de tige lâche	c. Serrer l'écrou de tige pour éliminer la fuite.
	d. Le niveau de remplissage de l'eau est trop élevé.	d. La fuite est présente au niveau du tube de trop-plein car le réglage du flotteur de la valve de remplissage est trop élevé. Réduire le réglage du flotteur jusqu'à ce que la valve de remplissage remplisse le réservoir à un niveau d'eau adéquat.
Chasse partielle	a. La pince ou le tuyau de remplissage n'est pas fixé(e) au tube de trop-plein.	a. Raccorder la pince de remplissage au tube de trop-plein.
	b. Niveau d'eau inadéquat	b. Un niveau d'eau trop bas ou trop élevé a des répercussions sur le rendement de la chasse. Remplir le réservoir d'eau jusqu'au niveau adéquat, tel qu'indiqué sur l'étiquette située à l'arrière du réservoir.
	c. Le bouton d'activation manuelle de la chasse n'a pas été entièrement enfoncé.	c. Enfoncer entièrement le bouton d'activation manuelle de la chasse.
Déclenchement involontaire de la chasse	a. Mouvement ou objet dans la zone du capteur b. Chasse automatique	a. Retirer l'élément de la zone d'activation du capteur. b. Lorsqu'il n'est pas utilisé, le système déclenche une chasse automatique tous les 12 jours.
Le bouton d'activation manuelle ne fonctionne pas.	a. Le mode sans contact est actif (les piles sont en place, le système n'est pas HORS TENSION).	a. Si un utilisateur tente d'appuyer sur le bouton d'activation manuelle, le système sans contact détectera le mouvement dans la zone d'activation et déclenchera la chasse avant que l'utilisateur ne soit en mesure d'appuyer sur le bouton.
	b. Le bouton d'activation manuelle n'a pas été entièrement enfoncé.	b. Enfoncer entièrement le bouton d'activation manuelle de la chasse.
	c. Il n'y a pas d'eau dans le réservoir.	c. Remplir le réservoir d'eau jusqu'au niveau indiqué sur l'étiquette située à l'arrière du réservoir.
	d. Tuyau à air non raccordé	d. Raccorder une extrémité du tuyau à air à la vanne et l'autre extrémité à l'unité d'activation. Faire glisser les collerettes du tuyau sur les extrémités pour fixer le tuyau en place.
	e. Niveau d'eau inadéquat	e. Un niveau d'eau trop bas ou trop élevé a des répercussions sur le rendement de la chasse. Remplir le réservoir d'eau jusqu'au niveau adéquat, tel qu'indiqué sur l'étiquette située à l'arrière du réservoir.
La DEL rouge clignote pendant la chasse.	a. La charge restante des piles est faible.	a. Changer les piles.
La DEL rouge clignote en permanence.	a. Le capteur a été mis HORS TENSION.	a. Désactiver le mode HORS TENSION en appuyant sur l'icône de mise en marche pendant 3 à 6 secondes, comme l'indiquent les quatre clignotements de la DEL bleue.
La DEL bleue clignote.	a. Le système a reçu une commande de chasse et effectue un cycle de chasse.	a. S.O.
Les DEL rouge et bleue clignent.	a. Le système exécute une phase de démarrage initial après le branchement des piles.	a. S.O. Il est normal que le capteur exécute cette phase au démarrage.
Fuite d'eau	a. Mauvais branchement de la tuyauterie d'alimentation d'eau	a. Revoir l'étape 10 des consignes d'installation.
	b. Mauvais branchement de la cuvette au réservoir/sol	b. Revoir les étapes 3 à 8 des consignes d'installation.
La cuvette des toilettes bouge après l'installation.	a. L'anneau en cire n'est pas complètement compressé.	a. Resserrer les boutons de cuvette/sol.
	b. Le sol n'est pas plat.	b. Utiliser une cale pour les toilettes et/ou placer un cordon de mastic sur la base des toilettes.

LISTE DES PIÈCES DE ÉGALEMENT SOUS LE COUVERCLE DU RÉSERVOIR.

LISTE DES PIÈCES

Les pièces sont déterminées par le numéro inscrit à l'intérieur du réservoir de la toilette.
REMARQUE : « XXX » représente les options de couleur ou de fini. Spécifier sur la commande.

PL 7302164-100 Rev.A

735158-400.XXX	Couvercle de réservoir
7381125-400.0070A	Assemblage pour valve d'entrée universelle
7381551-401.0070A	Assemblage pour valve de chasse avec joints, rondelle et écrou
7381553-201.0070A	Assemblage pour tuyau avec manchons de verrouillage
7381549-201.0070A	Flotteur de valve de chasse avec joint d'étanchéité
7381550-201.0070A	Actionneur sans porte-batterie
7381552-201.0070A	Porte-batterie
7381147-200.0070A	Ensemble de couplage entre la cuvette et le réservoir avec joint
7381437-200.0070A	Ensemble de matériel de fixation au sol - (boulons à T, rondelles de retenue et griffes à vis)
7301540-200.XXX0A	Ensemble de capuchons de boulon - (comprend les couvercles, les manchons et les bagues de retenue)

ENTRETIEN ET NETTOYAGE

Lorsque vous nettoyez votre cuvette, lavez-la avec de l'eau légèrement savonneuse, rincez-la à fond à l'eau claire et essuyez-la avec un chiffon doux.

MISE EN GARDE : N'utilisez pas de nettoyants pour cuvette. Ces produits peuvent sérieusement corroder les raccords de tuyauterie du réservoir.

Ces dommages peuvent entraîner des fuites et des dommages matériels. **American Standard n'assume aucune responsabilité pour tout dommage causé par l'utilisation de nettoyants pour cuvette.**

GARANTIE LIMITÉE SANS SOUCI SUR LA TOILETTE

Cette toilette comporte une garantie à vie limitée sur la porcelaine, une garantie limitée de 5 ans sur toutes les pièces mécaniques de la toilette, une garantie de 1 an sur les composants électriques, et une garantie limitée de 1 an sur le siège de toilette si celui-ci est compris avec le produit. Si une inspection de ce produit d'AS America Inc. (« American Standard »), incluant la porcelaine et toutes les pièces mécaniques, confirme un défaut de matériel ou de main-d'œuvre, American Standard réparera, ou, à sa discrétion, remplacera le produit par un modèle semblable.

Cette garantie limitée s'applique uniquement à l'acheteur original et à l'installation de ces produits. Suite à une réclamation de garantie limitée, une preuve d'achat sera exigée. Veuillez donc conserver le coupon de caisse.

Cette garantie est en vigueur si le processus d'enregistrement de la garantie a été achevé par Internet ou par téléphone, selon les consignes d'enregistrement de la garantie.

Cette garantie limitée ne s'applique pas aux installations commerciales. La garantie pour les installations commerciales est de 1 an sur la porcelaine, 1 an sur toutes les pièces mécaniques de la toilette, une garantie de 1 an sur les composants électriques, et une garantie limitée de 1 an sur le siège de toilette si celui-ci est compris avec le produit.

Cette garantie limitée ne s'applique pas au respect des codes locaux du bâtiment. Comme les codes locaux du bâtiment varient considérablement, l'acheteur de ce produit doit vérifier auprès d'un sous-traitant en plomberie ou en bâtiment local pour s'assurer le code local est respecté avant l'installation.

Cette garantie limitée sera nulle si le produit a été déplacé de son lieu d'installation initial; s'il a été assujéti à un entretien déficient, un usage abusif, un usage impropre, un accident ou autres dommages; s'il n'a pas été installé conformément aux consignes d'American Standard; ou s'il a été modifié d'une façon ne convenant pas au produit expédié par American Standard.

MISE EN GARDE: Cette garantie NE COUVRE PAS les dommages causés par l'utilisation de produits de nettoyage de réservoir. Ces produits peuvent corroder sérieusement les raccords du réservoir. Les dommages peuvent causer une fuite et des dégâts matériels. American Standard ne peut être tenue responsable des dommages causés par l'utilisation des produits de nettoyage de réservoir.

L'option d'American Standard de réparer ou de remplacer le produit en vertu de cette garantie limitée ne couvre pas les frais de main-d'œuvre ou autres frais de retrait ou d'installation. American Standard ne peut être tenue responsable des dommages indirects ou accessoires attribuables à une défectuosité du produit ou à la réparation ou au remplacement d'un produit défectueux, ceux-ci étant expressément exclus de cette garantie limitée. (Certaines provinces n'autorisent pas l'exclusion ou la limitation de garanties limitées tacites, alors cette exclusion ne s'applique peut-être pas à vous.)

Cette garantie limitée vous confère des droits légaux spécifiques. Vous jouirez peut-être d'autres droits qui varient d'une province à l'autre, dans lequel cas cette garantie limitée n'affecte pas ces droits légaux.

Aux États-Unis:

American Standard Brands
P.O. Box 6820
Piscataway, New Jersey 08855
Attention: Directeur du Service à la clientèle
Les résidents des États-Unis peuvent aussi obtenir
des informations à propos de la garantie en
composant le numéro sans frais (800) 442-1902
www.americanstandard.com

Au Canada:

AS Canada, ULC
5900 Avebury Rd.
Mississauga, Ontario
Canada L5R 3M3
Sans frais: (800) 387-0369
www.americanstandard.ca

Au Mexique :

American Standard B&K Mexico
S. de R.L. de C.V.
Via Morelos n° 330
Col. Santa Clara
Ecatepec 55540 Edo. Mexico
Sans frais: 01-800-839-1200
www.americanstandard.com.mx

VEUILLEZ ACHÉVER LE PROCESSUS D'ENREGISTREMENT DE LA GARANTIE D'AMERICAN STANDARD ET CONSERVER CES RENSEIGNEMENTS SUR LA GARANTIE.

IMPORTANT: l'enregistrement de la toilette doit être achevé pour que la garantie soit valide. Ainsi, il sera plus facile de vous contacter dans l'éventualité d'un rappel de produit.*

CONSIGNES: procédez à l'enregistrement de la toilette au www.americanstandard.com. Veuillez conserver votre preuve d'achat (coupon de caisse).

Si vous avez besoin d'aide pour accéder à notre site Web, veuillez contacter le service à la clientèle d'American Standard au: (800) 442-1902. Un représentant d'American Standard vous aidera à procéder à l'enregistrement de la garantie.

* En Californie, vos droits de garantie ne changent pas, même si vous ne procédez pas à l'enregistrement du produit.

CETTE GARANTIE NE PEUT ÊTRE TRANSFÉRÉE PAR L'ACHETEUR ORIGINAL DU PRODUIT.

7302165-100FR