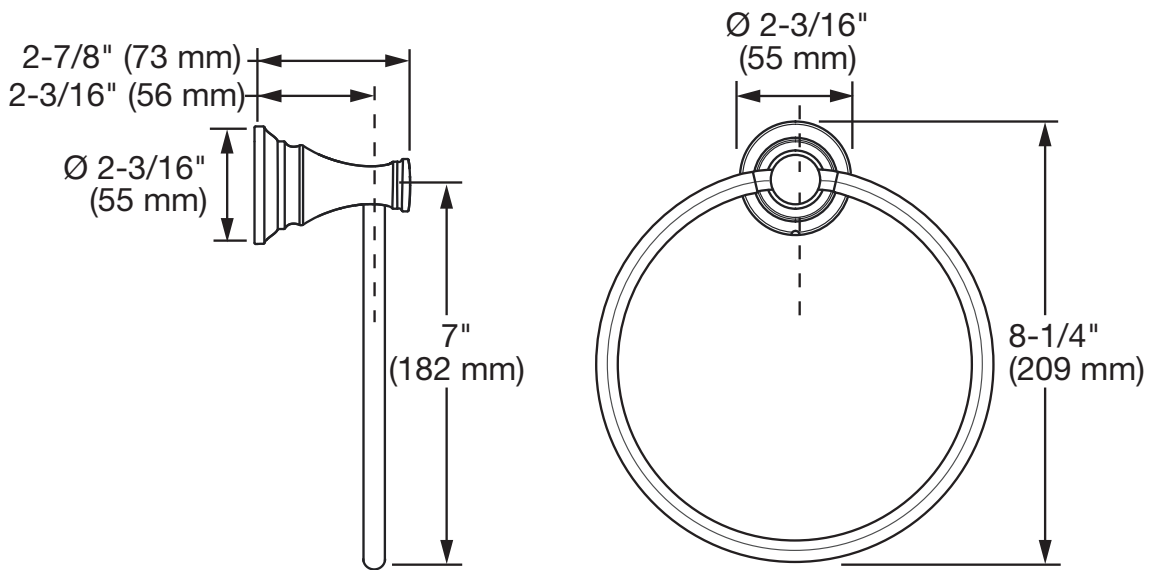


**MODEL NUMBER:**

□ 7052190 - Towel Ring

**Available Finishes**

002	Polished Chrome
295	Brushed Nickel
013	Polished Nickel
278	Legacy Bronze
GN0	Brushed Cool Sunrise



**PRODUCT FEATURES:**

**Materials of Construction:** Metal construction for durability & long life. Bushing on towel ring to prevent scratching and squeaking

**Concealed Mounting:** No exposed set screws.

**Easy to Install**

**SUGGESTED SPECIFICATION**

Towel Ring shall feature metal construction. Shall feature concealed mounting with no exposed set screws. Towel Ring shall be American Standard Model # 7052190.\_\_\_\_\_