

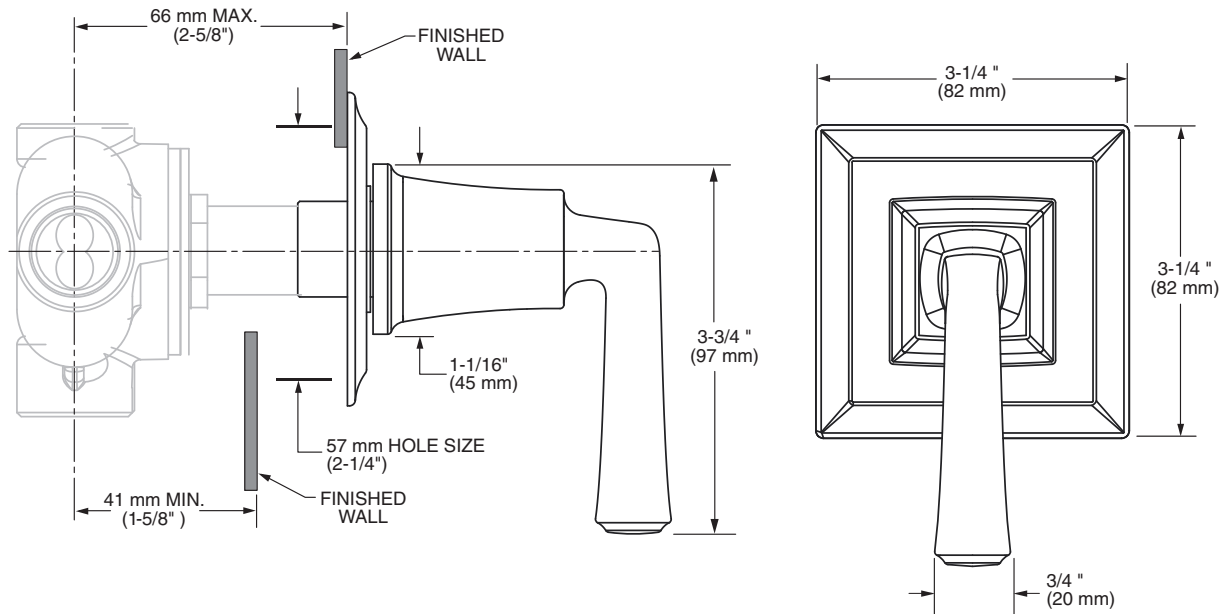
MODEL NUMBER:

TRIM KIT:

- T455430 Diverter Valve Trim**
Valve trim ONLY. LESS Valve.

ROUGH VALVES BODIES:

- R422 Two-Way In-Wall Diverter Valve Rough (Discrete)**
1/2" NPT inlets/outlets. 2 Discrete functions. LESS Handle.
- R422S Two-Way In-Wall Diverter Valve Rough (Shared)**
1/2" NPT inlets/outlets. 2 Discrete/1 Shared functions. LESS Handle.
- R433 Three-Way In-Wall Diverter Valve Rough (Discrete)**
1/2" NPT inlets/outlets. 3 Discrete functions. LESS Handle.
- R433S Three-Way In-Wall Diverter Valve Rough (Shared)**
1/2" NPT inlets/outlets. 3 Discrete/3 Shared functions. LESS Handle.



GENERAL DESCRIPTION:

In-Wall Diverter: Rotational control alternates water flow between two (R422/R422S) or three (R433/R433S) different shower outlets (i.e. showerhead, handspray, body side spray or tub spout). Stamped brass escutcheon. Zinc handle, Brass valve adapter.

NOTE: Cannot be used as a shut-off valve.

PRODUCT FEATURES:

Shower Trim Material: Highest quality faucet material for durability and long life.

Flexible Installation: Up to 1" rough in adjustability allow less error during installation.



ADA COMPLIANT

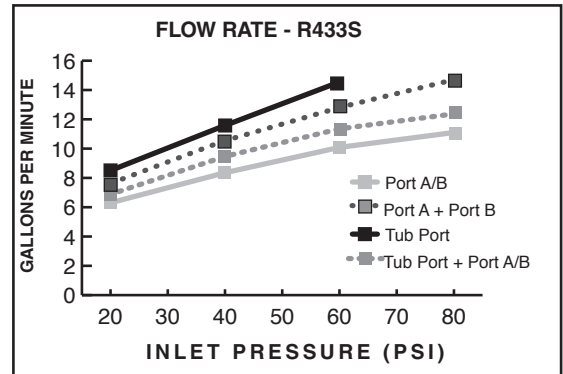
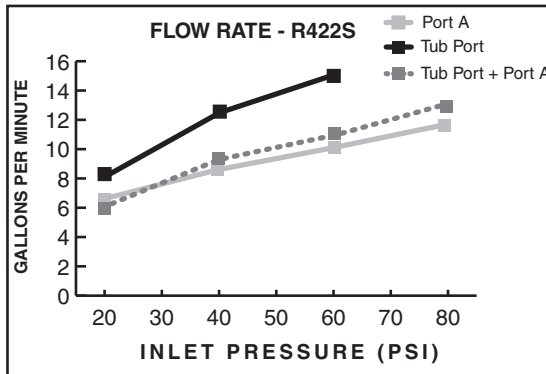
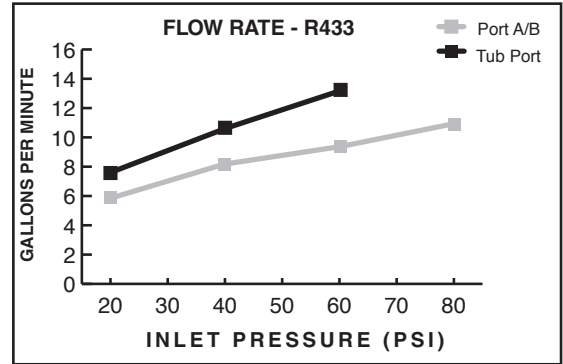
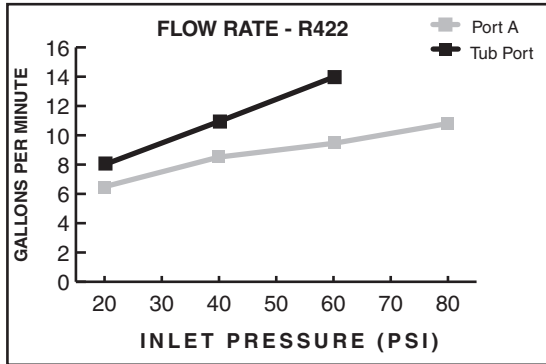
SUGGESTED SPECIFICATION

Two (three) way diverter trim shall feature a metal construction with up to 1" rough in installation flexibility. Fitting shall be American Standard Model # T455430.____ (Diverter Valve Trim) and R4____. (Rough Valve Body).

CODES AND STANDARDS

These products meet or exceed the following codes and standards:

ASME A112.18.1
CSA B125.1



| TRIM KITS * | Product Number | * TRIM & ROUGH MUST BE ORDERED SEPARATELY. Description | Finish Options | | | | | |
|-------------|----------------------------------|---|-----------------|--------------------|-----------------|---------------|----------------------|-------------|
| | | | Polished Chrome | PVD Brushed Nickel | Polished Nickel | Legacy Bronze | Brushed Cool Sunrise | Matte Black |
| | | | 002 | 295 | 013 | 278 | GN0 | 243 |
| T455430 | Diverter Valve Trim. LESS valve. | | ✓ | ✓ | ✓ | ✓ | ✓ | ✓ |

| ROUGH VALVE BODIES | Product Number | Description |
|--------------------|----------------|---|
| | R422* | Two-Way In-Wall Diverter. 2 Discrete functions. LESS handle. |
| | R422S* | Two-Way In-Wall Diverter. 2 Discrete/1 Shared functions. LESS handle. |
| | R433* | Three-Way In-Wall Diverter. 3 Discrete functions. LESS handle. |
| | R433S* | Three-Way In-Wall Diverter. 3 Discrete/3 Shared functions. LESS handle. |

Meets the American Disabilities Act Guidelines and **ANSI A117.1** Requirements for the physically challenged.