

**YORKVILLE™ VORMAX® RIGHT HEIGHT®
ELONGATED TOILET**

209AA137

- **Floor mount, back outlet gravity flush toilet configuration**
- VorMax flushing technology cleans two times better than conventional toilets**
- Combination bowl and tank, less seat
- Right Height elongated siphon action bowl
- High efficiency toilet (HET) 1.28 gpf/4.8 Lpf
- Meets EPA WaterSense® criteria
- EverClean® Antimicrobial Surface included
- CleanCurve™ rim eliminates rim area where dirt and build-up hide
- Creates 50% less noise than pressure-assist technology toilets
- Consistently flushes and removes paper seat covers unlike many pressure-assist toilets which tend to rip and leave behind paper
- Meets all applicable drain line carry requirements and performs just as well as all pressure-assist HETs
- 16-1/2" (419 mm) rim height for accessible applications
- 2-1/16" (52 mm) trapway
- Dual injection flush valves
- Chrome trip lever included
- Four color-matched bolt caps
- 10 year warranty (1 year commercial)
- Best 1,000g MaP Flush Score†

- 209AA138** Same as above except trip lever on right hand side
- 3359A101** Right Height® Elongated Bowl
- 4385A137** HET Tank

Nominal Dimensions:

30-3/16" x 18" x 32-13/16"
(767 x 458 x 833mm)

Fixture only, seat and supply sold separately

Alternative Tank Configuration Available:

- 4385A138** Tank complete with trip lever located on right side
- 4385A187** Left hand trip lever tank with tank cover lock device.

Compliance Certifications -

Meets or Exceeds the Following Specifications:

- ASME A112.19.2/CSA B45.1 for Vitreous China Fixtures
- US EPA WaterSense® Specification for HETs



209AA137 Combo with Seat 5901100



209AA138 Combo with Seat 5055A65C

SEE REVERSE FOR ROUGHING-IN DIMENSIONS
AND PRODUCT SPECIFICATIONS

To Be Specified:

- Color: White
- Seat: #5055A65C Elongated Slow Close solid plastic seat and cover or #5901100 Elongated heavy-duty open front seat less cover
- Supply with stop:

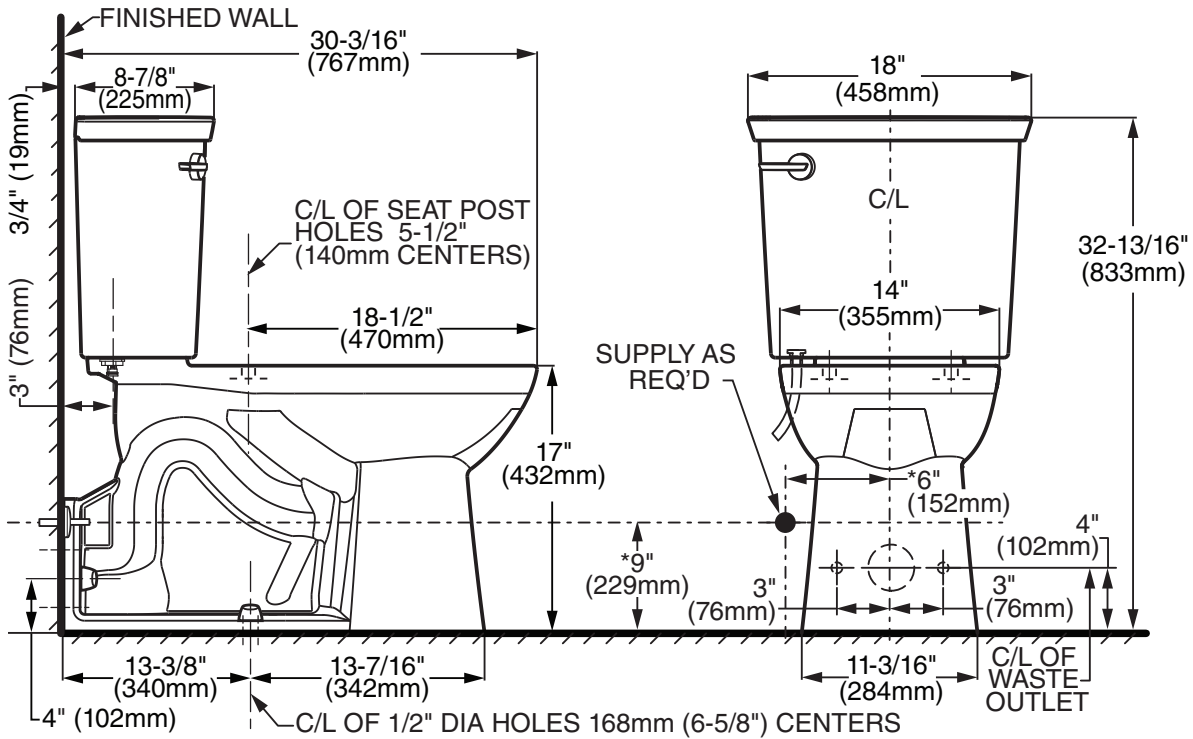
** Source: Test Report No. 109-141486-002, comparing VorMax against conventional under-the-rim-water-dispersal toilets from major retailers.

† MaP testing performed by IAPMO R&T Lab. MaP report conducted by Gauley Associates Ltd. and Koeller and Company.



MEETS THE AMERICANS WITH DISABILITIES ACT GUIDELINES
AND ICC ANSI A117.1 REQUIREMENTS FOR ACCESSIBLE AND
USABLE BUILDING FACILITIES-CHECK LOCAL CODES.





NOTES:

WASTE OUTLET SEAL RING MUST BE NEOPRENE OR GRAPHITE-FELT (WAX RING NOT RECOMMENDED).
 SUPPLY NOT INCLUDED WITH FIXTURE AND MUST BE ORDERED SEPARATELY.
 * DIMENSION SHOWN FOR LOCATION OF SUPPLY IS SUGGESTED.
 FOR ADDITIONAL INFORMATION REFER TO INSTALLATION INSTRUCTIONS SUPPLIED.

IMPORTANT: Dimensions of fixtures are nominal and may vary within the range of tolerances established by ANSI Standard A112.19.2. These measurements are subject to change or cancellation. No responsibility is assumed for use of superseded or voided pages.