

INSTALLATION INSTRUCTIONS CARE AND MAINTENANCE

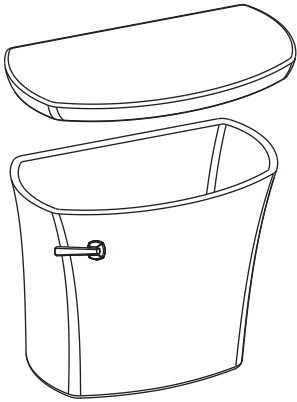
*American
Standard*

Edgemere® 2-piece Toilet Elongated and Round Front Models 204AA, 204BA Series

Thank you for selecting American Standard - the benchmark of fine quality for over 100 years. To ensure this product is installed properly, please read these instructions carefully before you begin. (Certain installations may require professional help.) Also be sure your installation conforms to local codes.

⚠ CAUTION: PRODUCT IS FRAGILE. TO AVOID BREAKAGE AND POSSIBLE INJURY HANDLE WITH CARE!
NOTE: Pictures may not exactly define contour of china and components.

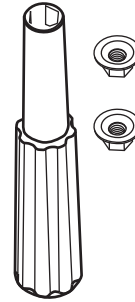
TANK 4519A and 4519B



EZ-INSTALL KIT INCLUDED WITH TANK



Tank To Bowl Gasket

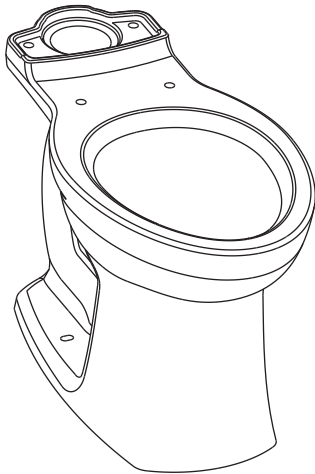


Attachment Handle
with 2 Nuts

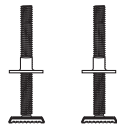


2 Plastic Washers

BOWL 3519A ELONGATED / BOWL 3519B ROUND FRONT



EZ-INSTALL KIT INCLUDED WITH BOWL



T-Bolts with
Retainer (2)

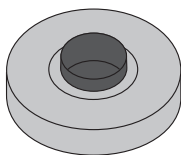


Bolt Caps (2)



Bowl-To-Floor
Knobs (2)

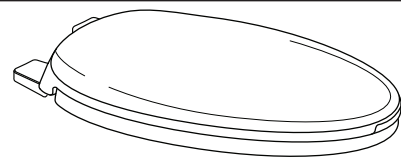
SOLD SEPARATELY



Wax Ring

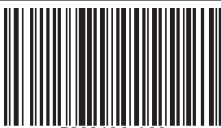


Water Supply Line



Slow Close Toilet Seat

S
A
V
E
F
O
R
F
U
T
U
R
E
U
S
E



7302406-100

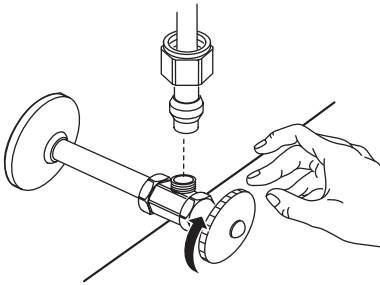
Product names listed herein are trademarks of AS America, Inc.
© AS America, Inc. 2018

7302406-100

Before You Start:

If Removing An Existing Toilet

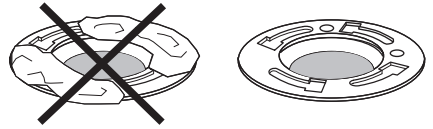
Turn Off Water Supply



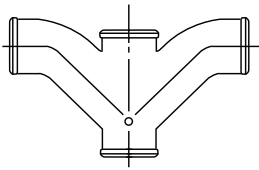
Flush to remove water from tank; sponge remaining water from bowl before removing toilet.



Clean Flange



⚠ Caution: If leaving floor flange open for more than 1-2 hours, cover flange to prevent escaping sewer gases.



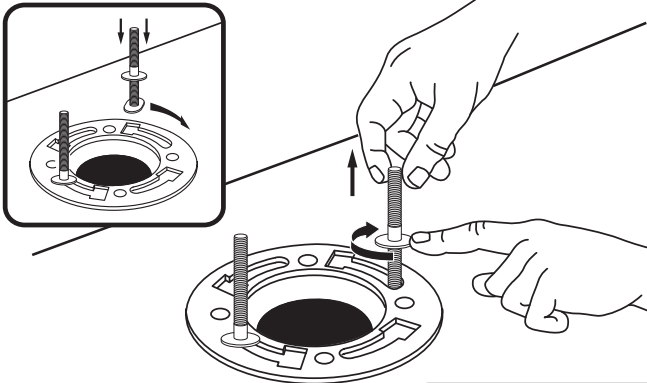
Recommended fitting type for back-to-back installations.



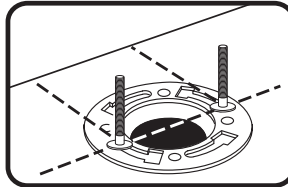
BACK-TO-BACK INSTALLATION

Depending upon your plumbing and venting conditions, the flow from the toilet in a back-to-back installation may create a vacuum on the system and draw water from the opposing bowl. The National Standards Plumbing Code prohibits the use of a cross fitting for drainage as throw over is possible. The code does approve a directional "Y" style fitting with proper venting to direct the water downward and away from the other toilet.

1

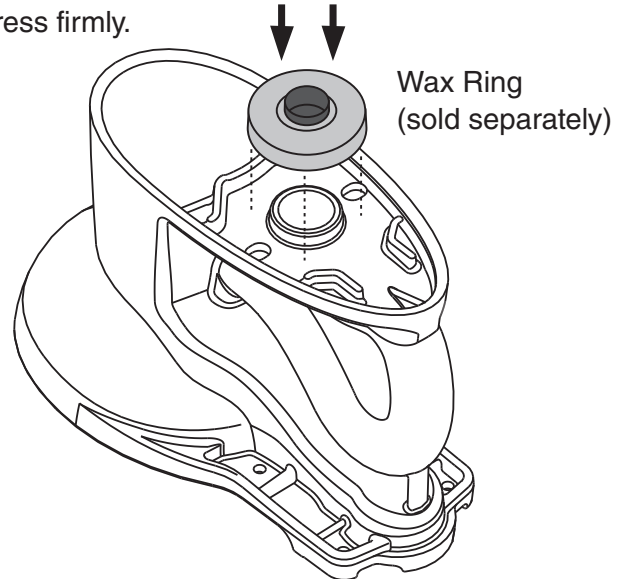


NOTE: 1/4" EZ-BOLTS INCLUDED. IF 5/16" BOLTS ARE REQUIRED, PURCHASE SEPARATELY.



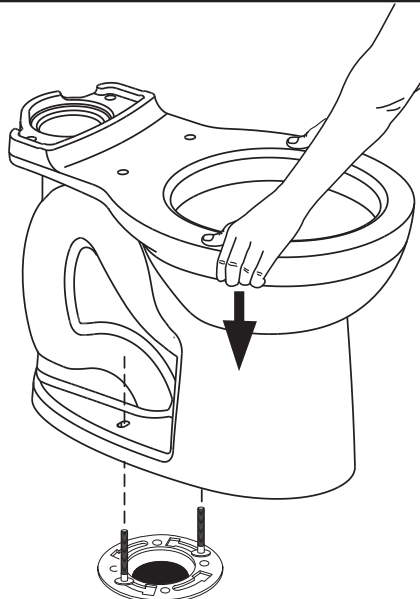
2

Press firmly.



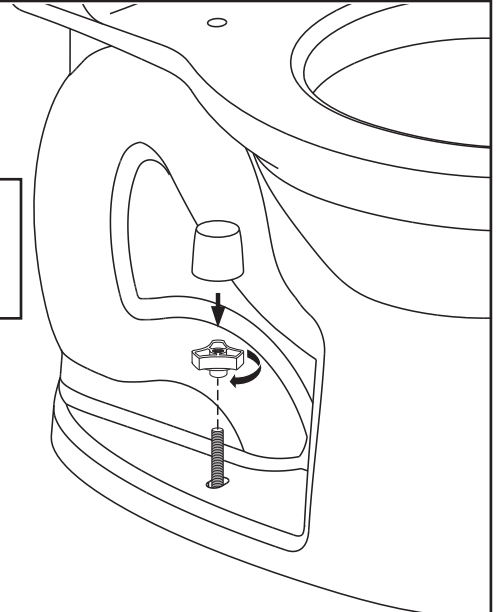
3

Apply weight evenly. Do not move after placement. Water tight seal may break.



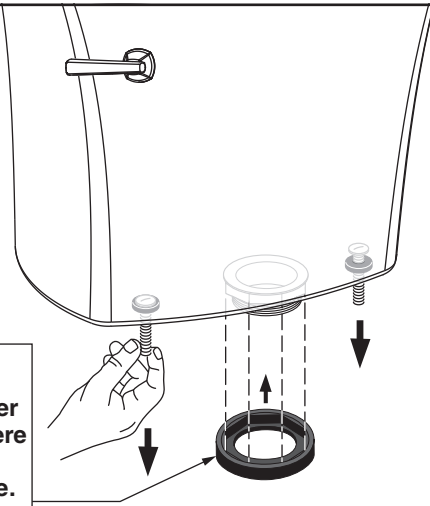
4

⚠ Hand tighten only. Do not overtighten.



5

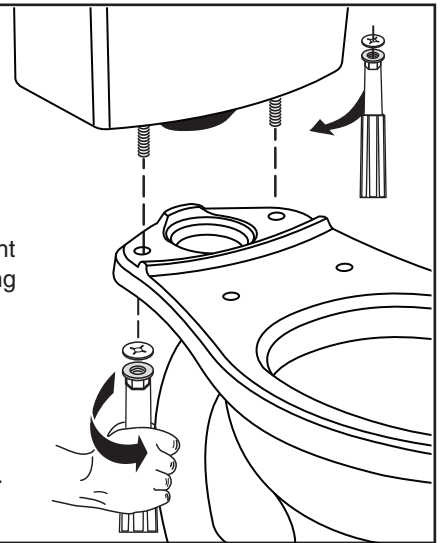
Install tank bolts in bottom of tank as shown.



▲ Tank to Bowl Gasket
Place the tank gasket over the tank nut ensuring there are no gaps between the gasket and the chinaware.

6

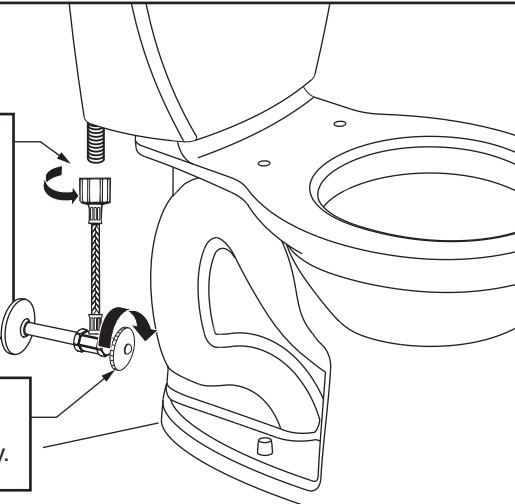
Tighten handles alternately until the tank contacts the front and back of the bowl achieving china-to-china contact.



NOTE: To ease installation, push down on the top of the tank while tightening handles.

7

A
Connect water supply line.
(Sold separately)
Hand tighten nut.

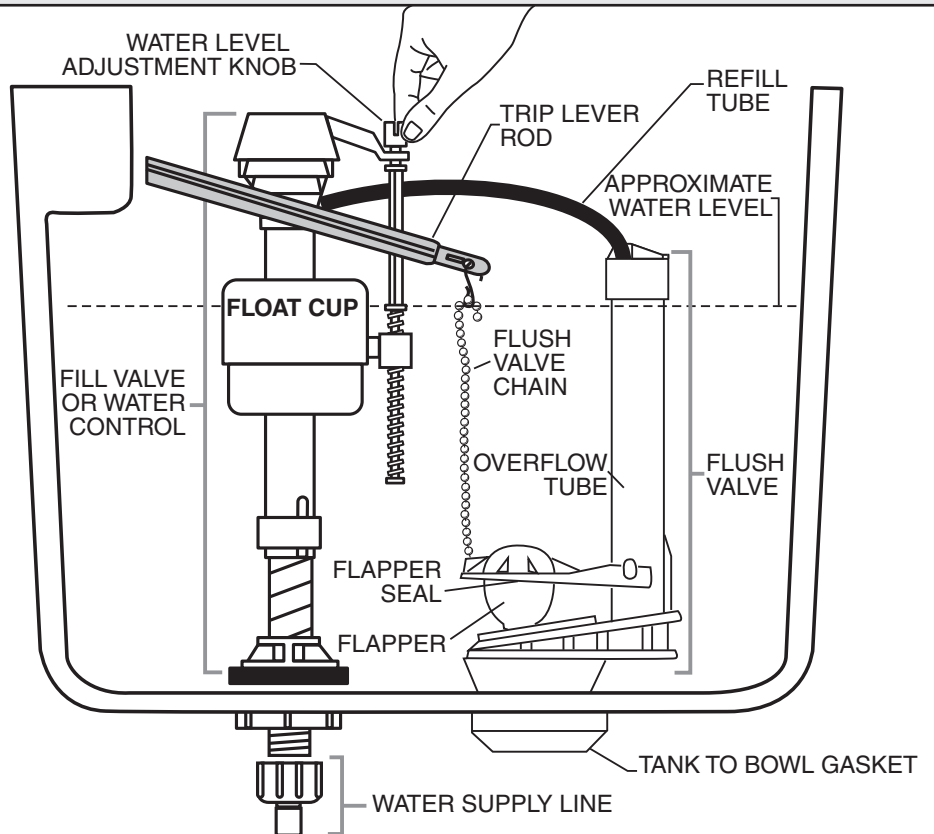


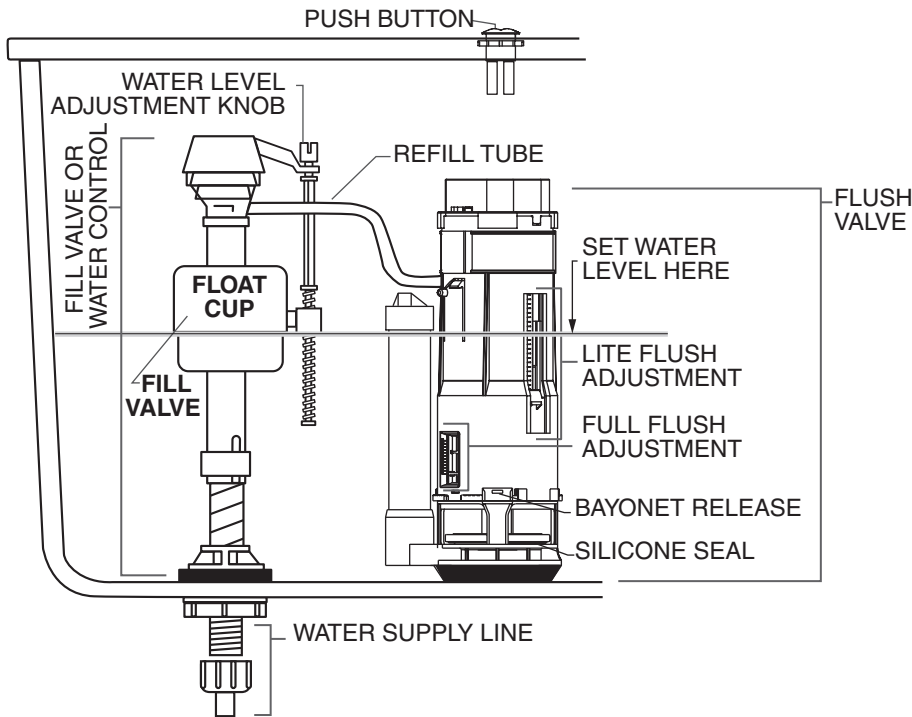
B
Turn on water supply.

▲ WARNING: Overtightening of water supply line nuts could result in breakage and potential flooding. If the connection leaks after hand tightening, replace the supply line. Do not use any type of sealant on the water supply connection. Use of plumber's putty, pipe dope, or any other type of sealant will void the warranty.

8 SINGLE FLUSH

Adjust water level to level indicated on tank by turning water level adjustment knob to move float cup up or down.





ADJUSTMENTS

- a. Adjust water level. Water level should be adjusted to level indicated on tank by adjusting float cup using water level adjustment knob.
- b. Flush Valve Setting Adjustments:

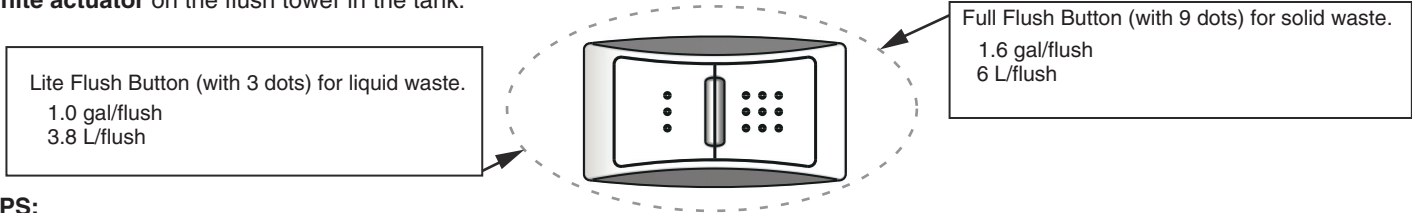
Flush Valve Setting Adjustments	Without Liner Tank
Full Flush Adjustment	2
Lite Flush Adjustment	2.5

NOTE: All other settings will result in either more or less water and are not recommended.

- To remove Flush Valve, apply slight downward pressure and twist it until the flush valve disengages from the bayonet.
- To reinstall Flush Valve, reverse the above procedure.

FLUSH BUTTONS ON TANK

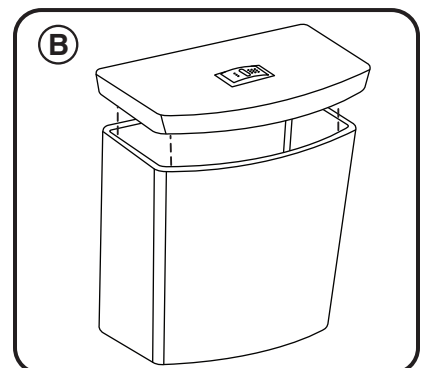
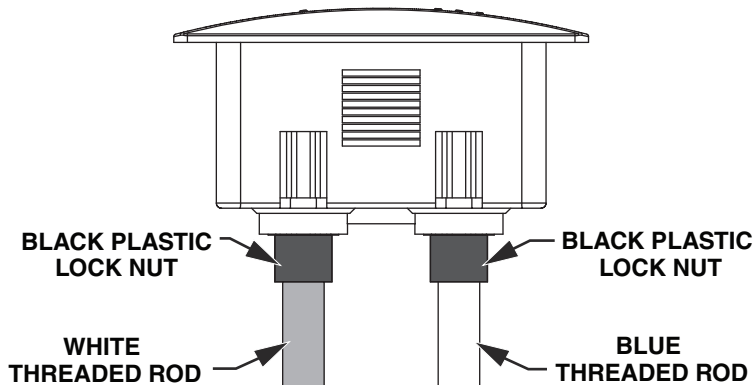
Pressing both buttons at once will flush the low flush amount of 1.0 gal/flush or 3.8 L/flush. The **Lite Flush Button (with 3 dots)** should line up over the **blue actuator** on the flush tower in the tank. The **Full Flush Button (with 9 dots)** should line up over the **white actuator** on the flush tower in the tank.



TIPS:

If the bowl still does not flush properly after following the steps outlined in the troubleshooting guide, remove the tank lid and push one of the flush buttons on top of the flush valve in the tank. If the flush appears to be normal, you will need to adjust the length of the threaded rods for the push buttons mounted on the tank lid with the settings as follows:

1. Turn the lid upside down.
2. Loosen the black plastic lock nut.
3. Adjust the white threaded rod one turn counterclockwise.
4. Re-tighten the black plastic lock nut.
5. Put lid back on tank and test the flush. If it is still not flushing properly, repeat steps 1 through 4 until the problem is resolved.
6. If one counterclockwise turn is too much and causes the flush valve to stay open, adjust 1/2 turn clockwise and return to step 4.



* for **SINGLE FLUSH** Models ONLY

* See Step 8 For Diagram

TROUBLESHOOTING GUIDE

** for **DUAL FLUSH** Models ONLY

** See Step 9 For Diagram

Problem	Possible Cause	Corrective Action
Does not flush	a. Water supply valve closed. b. Supply line blocked.	a. Open valve and allow water to fill tank. b. Shut off water supply, disconnect supply line and inspect all gaskets and washers. Reassemble.
	*c. Flush valve chain too loose or disconnected.	*c. Readjust chain length as required.
	**c. Push button requires adjustment.	**c. Adjust rods per step 9
	d. Sand or debris lodged in water control.	d. Shut off water supply. Remove cap and clean as per Fluidmaster maintenance instructions at: www.americanstandard-us.com/enews/fluidmasterguide.pdf
Poor or sluggish flush	a. Bowl water level too low.	a. Check that refill tube is connected to water control and inserted into overflow tube without being kinked or damaged.
	b. Supply valve partly closed.	b. Open supply valve fully. Be sure that proper supply tube size is used.
	c. Partially clogged trapway and/or drain pipe and/or vent.	c. Remove obstruction. Consult a plumber if necessary.
	d. Supply pressure too low.	d. Normal supply pressure must be at least 20 psi.
Toilet leaks	a. Poor supply line connection.	a. Review Step 7 of installation procedure.
	b. Poor bowl to tank/floor connection.	b. Review Step 1 through 6 of installation procedure.
Toilet does not shut off	a. Flapper/Flush Valve seal leaking or deformed.	a. Clean debris from seal surface. Replace Flapper/Flush Valve seal as needed. See web for more info.
	b. Sand or debris lodged in water control.	b. Shut off water supply. Remove cap and clean as per Fluidmaster maintenance instructions at: www.americanstandard-us.com/enews/fluidmasterguide.pdf
	*c. Flush valve chain too tight, holding flapper open.	*c. Readjust chain length as needed.
Toilet bowl rocks after installation	a. Wax ring not fully compressed.	a. Retighten bowl-to-floor knobs.
	b. Floor not level.	b. Use toilet shims and /or place a bead of caulk around the base of the toilet.

CARE AND CLEANING

When cleaning your toilet, wash it with mild, soapy water, rinse thoroughly with clear water and dry with a soft cloth. Avoid detergents, disinfectants, or cleaning products in aerosol cans. NEVER use abrasive scouring powders or abrasive pads on your toilet seat. Some bathroom chemicals and cosmetics may damage the seat's finish.

⚠ WARNING: Do not use in-tank cleaners. These products can seriously corrode fittings in the tank. This damage can cause leakage and property damage. **American Standard shall not be responsible or liable for any damage caused by the use of in-tank cleaners.**

In the United States:

American Standard Brands
1 Centennial Ave
Piscataway, New Jersey 08854
Attention: Director of Customer Care

For residents of the United States, warranty information may also be obtained by calling the following toll free number: (800) 442-1902

www.americanstandard.com

In Canada:

AS Canada, ULC
5900 Avebury Rd.
Mississauga, Ontario
Canada L5R 3M3

Toll Free: (800) 387-0369

www.americanstandard.ca

In Mexico:

American Standard B&K Mexico
S. de R.L. de C.V.
Via Morelos #330
Col. Santa Clara
Ecatepec 55540 Edo. Mexico

Toll Free: 01-800-839-1200

www.americanstandard.com.mx