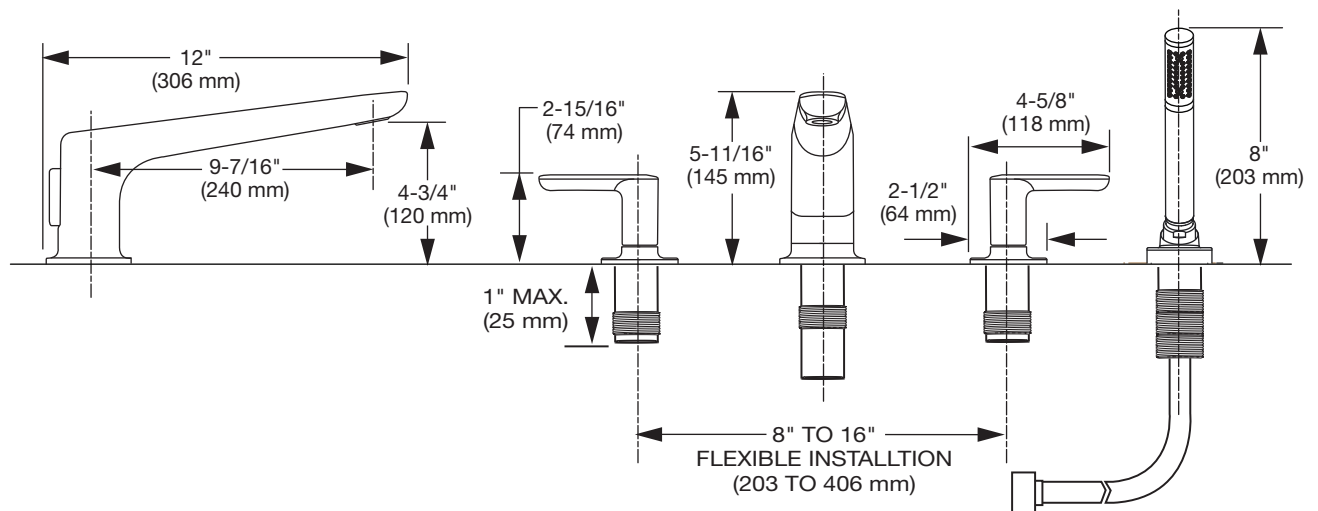


**MODEL NUMBER:**

- T105900 Roman Tub Filler Trim**  
LESS Personal Shower
- T105901 Roman Tub Filler Trim**  
WITH Personal Shower

**For use with Flash™ rough valves**

- R900 Flash™ Roman Tub Filler**  
Rough Body – Less Personal Shower
- R910 Flash Roman Tub Filler**  
Rough Body – WITH Personal Shower



**GENERAL DESCRIPTION:**

Installs with Flash Rough valve platform. Washerless 1/4 turn ceramic disc valve cartridges. Durable brass spout. Metal lever handles. Trim kit provides an additional 1" installation adjustability for finished deck.

**PRODUCT FEATURES:**

**Brass Construction:** Durable. Ideal for prolonged contact with water.

**Ceramic Disc Valve Cartridge:** Assures a lifetime of drip-free performance.

**SUGGESTED SPECIFICATION**

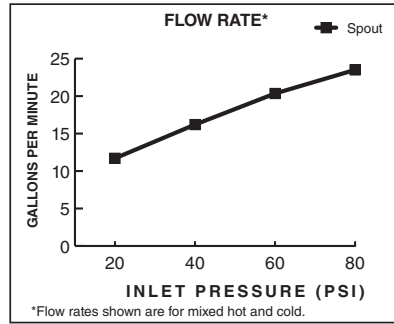
Two handle deck-mount tub filler shall feature cast brass construction. Shall also feature 1/4 turn washerless ceramic disc valve cartridges. Fitting shall be American Standard Model # T10590\_.\_.\_.\_.

## CODES AND STANDARDS

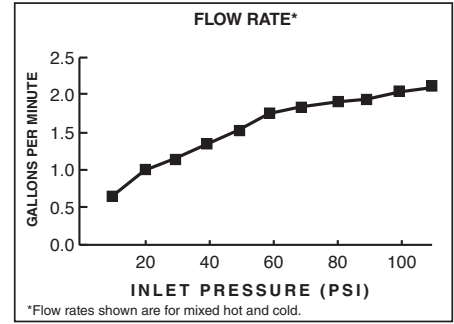
These products meet or exceed the following codes and standards:

**ASME A112.18.1**  
**CSA B125.1**

Check local plumbing codes.  
Some installations may require a vacuum breaker.



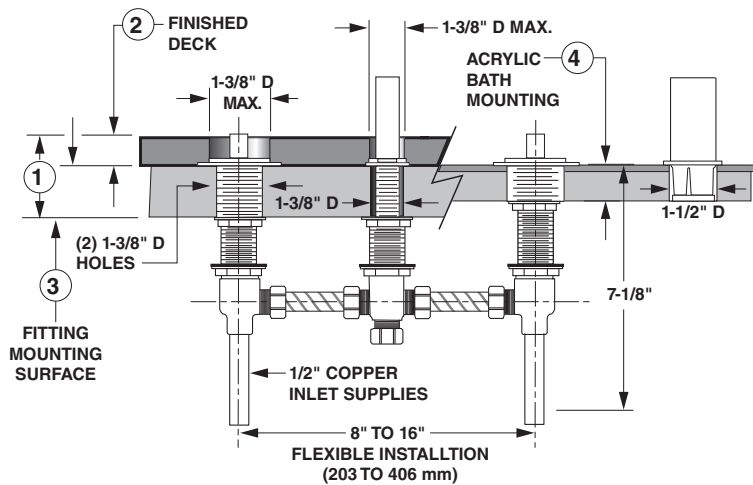
TUB SPOUT FLOW



HAND SHOWER FLOW

Product Number	Description		Finish Options			
			Polished Chrome	Brushed Nickel	Matte Black	Brushed Cool Sunrise
T105900	Roman Tub Filler Trim LESS Personal Shower.	ADA	002	295	243	GN0
T105901	Roman Tub Filler Trim WITH Personal Shower.	CEC	✓	✓	✓	✓

ADA Meets the American Disabilities Act Guidelines and ANSI A117.1 Requirements for the physically challenged.



- 1. DECK THICKNESS**  
TOTAL DECK THICKNESS  
UP TO 2-1/2"
- 2. FINISHED DECK**  
FINISHED DECK VARIABILITY  
ACCOMMODATES DECKING  
MATERIAL (TILE, MARBLE,  
CORIAN®...) TO 1" THICK
- 3. FITTING MOUNTING SURFACE**  
ADJUSTABILITY, TO 1-1/2" THICK
- 4. ACRYLIC BATHS**  
ADJUSTABILITY, TO 1-1/2" THICK

