

INSTALLATION INSTRUCTIONS

5-1/2' Cast Iron Bath

Model 2696.102

Model 2696.202

Thank you for selecting American Standard - the benchmark of fine quality for over 100 years. To ensure this product is installed properly, please read these instructions carefully before you begin. (Certain installations may require professional help.) Also be sure your installation conforms to local codes.

CAUTION: RISK OF PERSONAL INJURY. CAST IRON BATHS ARE EXTREMELY HEAVY. THIS IS A TWO PERSON INSTALLATION.

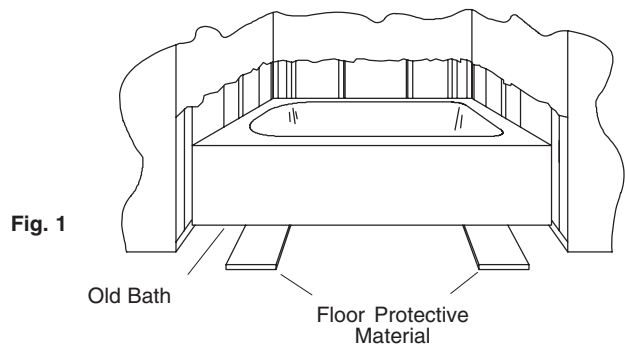
Recommended Tools & Materials

- Rule
- Level
- Square
- Pliers
- Pipe Wrench
- Wood Working Tools
- Plumbers Putty
- Silicone Sealant
- Metal Shims
- Wall Coverings, As Needed

1

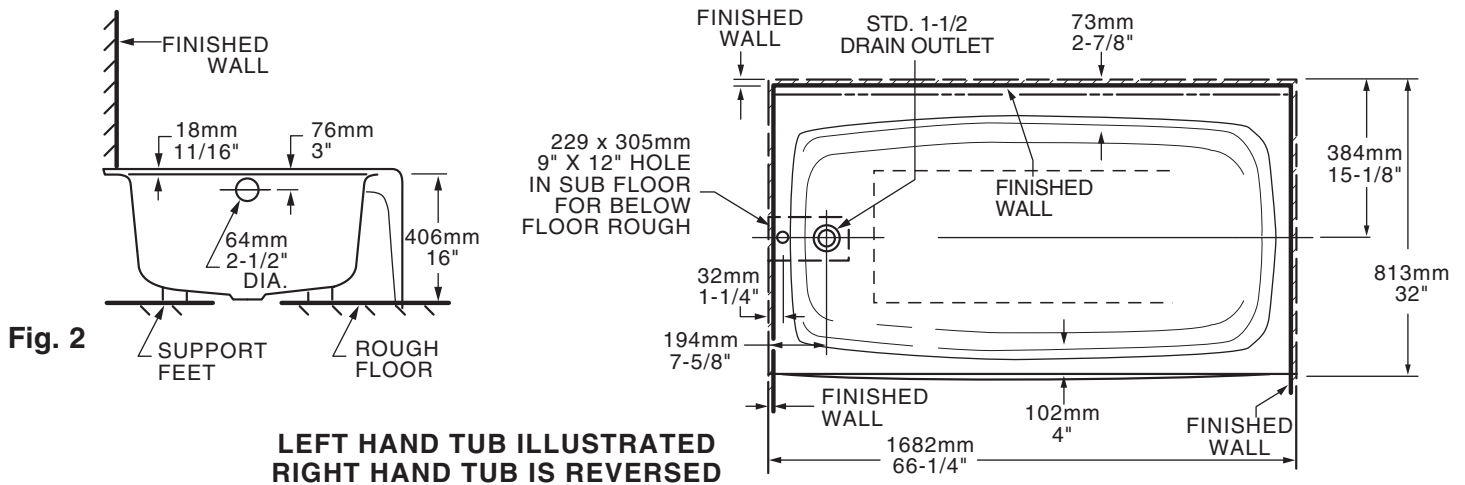
REMOVE THE OLD BATH (IF APPLICABLE)

Disconnect the drain at the trap. Remove any old wall material. **Slip boards under the old bath feet to protect the floor**, and slide the old bath out of the recess as illustrated.



PREPARE SUBFLOOR

Check the flooring under the bath area, and repair it if necessary. Make sure the subfloor is level.



**LEFT HAND TUB ILLUSTRATED
RIGHT HAND TUB IS REVERSED**

DETERMINE FRAMING ROUGH-IN

Construct a recess using 2 x 4 construction designed for your particular installation. Allow for thickness of finished wall material.

2

DRAIN

Install the overflow and drain assembly onto the tub per manufacturer's instructions.

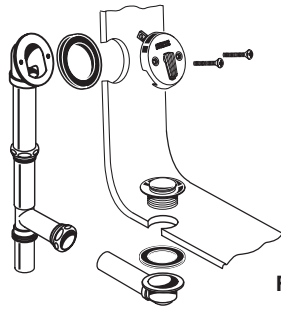


Fig. 3

3

INSTALLATION

Position bathtub within the recess, check level, front to back, side to side. Also check drain clearance hole in sub floor. Use metal shims under support feet. Insert the drain tailpiece into the trap.

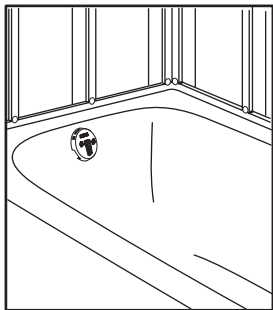
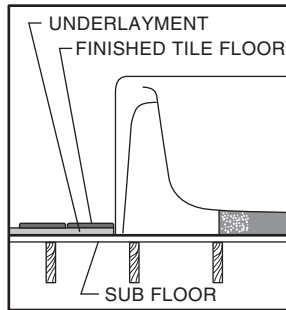


Fig. 4



INSTALL PLUMBING

CAUTION: Risk of damage to bath bottom and subfloor.

Ensure a watertight seal on all drain connections. When the bath is securely positioned, connect the drain to the trap. An access panel will simplify future maintenance.

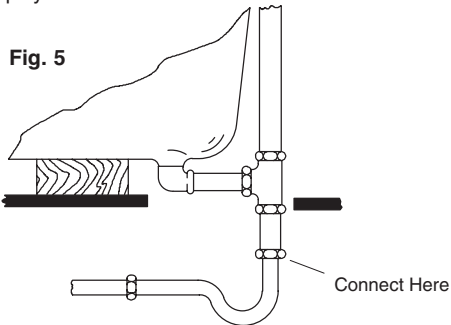


Fig. 5

4

COMPLETE FINISH WALL

CAUTION: Risk of personal injury and product damage.

Protect the bath surface. Cover the framing and walls with wallboard.

Apply a bead of silicone sealant where the wallboard meets the bath. Install the wall covering so it is 1/16" above the enameled surface. Install the finish wall material to the subwall. Use silicone sealant to seal the joints between the bath rim and the finish wall.

Install the finish floor. Apply silicone sealant along the edge of the bath apron.

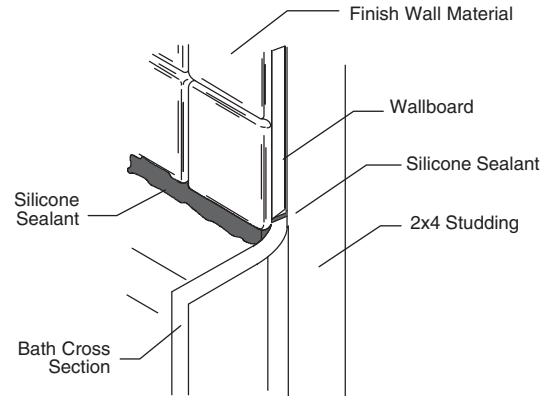


Fig. 6

5

IMPORTANT CONSUMER INFORMATION

HOUSEKEEPING RESPONSIBILITIES

The slip-resistant surface on this bathtub meets or exceeds the requirements of ASTM-F-462 for slip resistance.

DANGER: Improper maintenance or cleaners may permanently remove the slip-resistant surface on American Standard bathtubs.

NOTE:

DO NOT use steel wool, wire brushes, metal scrapers or abrasive sponge pads to clean a American Standard Bathtub.

DO NOT use buffing machines on the slip-resistant surface.

DO NOT use high alkaline or strong acid cleaners.

DO NOT use abrasive cleaners.

Use only non-abrasive cleaners and a soft nylon brush to clean the slip-resistant surface. When using commercial cleaners, use cleaners with a pH of between three and eight.

Follow cleaner manufacturer instructions very carefully.

AMERICAN STANDARD ONE-YEAR LIMITED WARRANTY

If inspection of this American Standard plumbing product, within one year after its initial installation, confirms that it is defective in materials or workmanship, American Standard will repair or, at its option, exchange the product for a similar model.

This warranty **does not apply** to local building code compliance. Since local building codes vary considerably, the purchaser of this product should check with a local building or plumbing contractor to insure local code compliance before installation.

This warranty **shall be void** if the product has been moved from its initial place of installation; if it has been subjected to faulty maintenance, abuse, misuse, accident or other damage; if it was not installed in accordance with American Standard's instructions; or if it has been modified in a manner inconsistent with the product as shipped by American Standard.

American Standard's option to repair or exchange the product under this warranty does not cover any labor or other costs of removal or installation, **nor shall American Standard be responsible for any other incidental or consequential damages attributable to a product defect or to the repair or exchange of a defective product, all of which are expressly excluded from this warranty.** (Some states or provinces do not allow the exclusion or limitation of implied warranties, so this exclusion may not apply to you.)

This warranty gives you specific legal rights. You may have other statutory rights that vary from state to state or from province to province, in which case this warranty does not affect such statutory rights.

For service under this warranty, it is suggested that a claim be made through the contractor or dealer from or through whom the product was purchased, or that a service request (including a description of the product model and of the defect) be sent to the following address:

In the United States:

American Standard Inc.,
P.O. Box 6820

Piscataway, New Jersey 08855

Attention: Director of Consumer Affairs

For residents of the United States, warranty information may also be obtained by calling the following toll free number: (800) 442-1902
www.americanstandard-us.com

In Canada:

American-Standard,
2480 Stanfield Rd.,
Mississauga, Ontario
Canada L4Y 1S2

Toll Free: (800) 387-0369
www.americanstandard.ca

In Mexico:

Customer Service Manager
Ideal Standard, S.A. de C.V.
Via Morelos #330
Col. Santa Clara

Ecatepec 55540 Edo. Mexico
www.americanstandard.com.mx