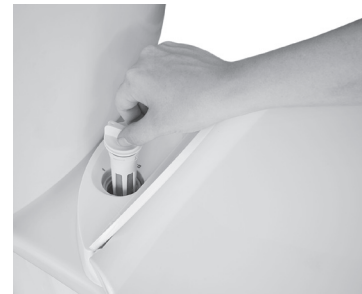


**ESTATE® VORMAX PLUS™ RIGHT HEIGHT® ELONGATED TOILET WITH SEAT**

- ❑ **207AA.104CP**
  - **Self-cleaning VorMax® toilet bowl that freshens the bowl with every flush**
  - The specially formulated VorMax Plus FreshInfuser™ features **LYSOL®** and lasts up to 30 days◇
  - The VorMax jetted scrub plus LYSOL® work together to keep the bowl clean and smelling fresh
  - Two VorMax Plus FreshInfuser™ packs included with purchase of toilet
  - Cleaning compartment is seamlessly hidden and easy to access
  - Slow close, quick release seat included for easy cleaning
  - VorMax flushing technology cleans two times better than conventional toilets\*\*
  - CleanCurve™ rim eliminates rim area where dirt and buildup hide
  - Vitreous china
  - HET (High Efficiency Toilet) ultra-low consumption 1.28 gpf/4.8 Lpf, utilizes 20% less water
  - Meets EPA WaterSense® criteria
  - Elongated siphon action jetted bowl
  - 16-1/2" rim height for accessible applications
  - Fully glazed 2-1/16" trapway
  - Dual injection flush valves
  - Classic traditional styling on bowl and tank
  - EverClean® surface included
  - Chrome trip lever
  - Two color matched bolt caps
  - 10 year warranty
  - Best 1,000g MaP Score† at 1.28 gpf
  - **Coordinates with Estate® Suite of fixtures**
  - **Available Exclusively at Ferguson® Showrooms**

- ❑ **3070A.100CP** Right Height® Elongated Bowl and VorMax Plus™ seat with two VorMax Plus FreshInfusers™
- ❑ **4570A.104** HET Tank
- ❑ **1610.001** VorMax Plus FreshInfuser™ single pack



VorMax Plus FreshInfuser™ Detail

SEE REVERSE FOR ROUGHING-IN DIMENSIONS AND PRODUCT SPECIFICATIONS

**Nominal Dimensions:**  
768 x 478 x 782mm  
(30-1/4" x 18-13/16" x 30-13/16")

Fixture with seat, supply by others

**Compliance Certifications - Meets or Exceeds the Following Specifications:**

- ASME A112.19.2/CSA B45.1 for Vitreous China Fixtures
- US EPA WaterSense® Specification for HETs

**To Be Specified:**

- ❑ Color: ❑ White
- ❑ Supply with Stop:

LYSOL® is used under license to American Standard. © 2017

◇ Based on a usage of 12 flushes per day

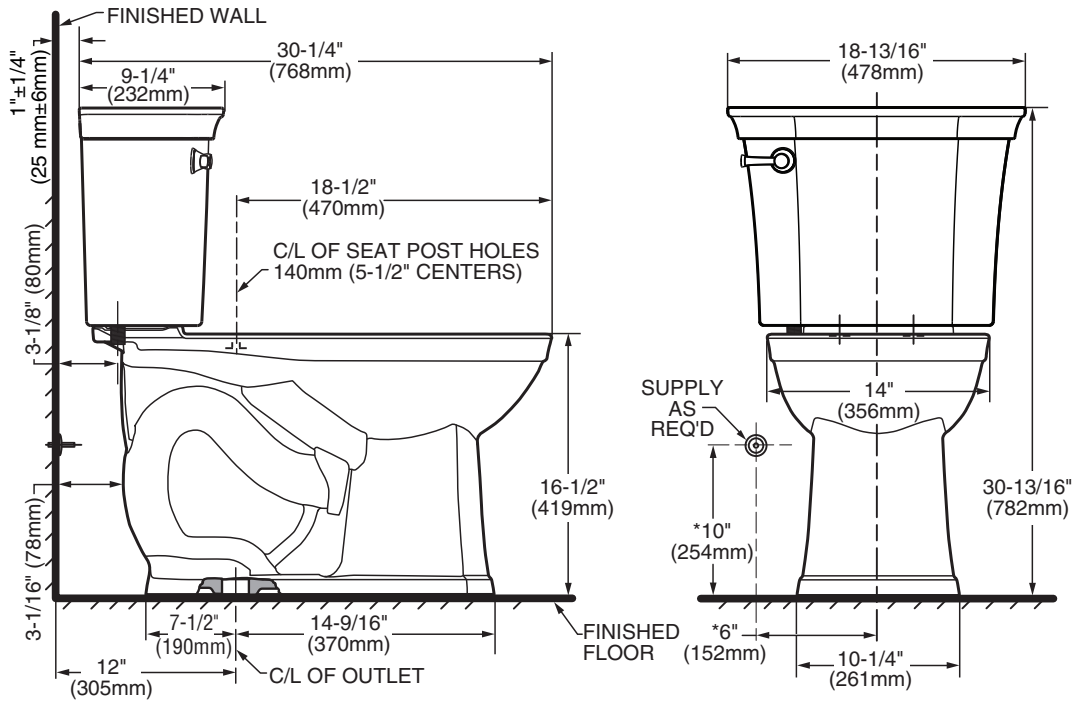
\*\* Source: Test Report No. 109-141486-002, comparing VorMax against conventional under-the-rim-water-dispersal toilets from major retailers.

† MaP testing performed by IAPMO R&T Lab. MaP report conducted by Gauley Associates Ltd. and Koeller and Company.



MEETS THE AMERICANS WITH DISABILITIES ACT GUIDELINES AND ICC ANSI A117.1 REQUIREMENTS FOR ACCESSIBLE AND USABLE BUILDING FACILITIES-CHECK LOCAL CODES.





**NOTES:**

THIS TOILET IS DESIGNED TO ROUGH-IN AT A MINIMUM DIMENSION OF 305MM (12") FROM FINISHED WALL TO C/L OF OUTLET. SUPPLY NOT INCLUDED WITH FIXTURE AND MUST BE ORDERED SEPARATELY.  
 \* DIMENSION SHOWN FOR LOCATION OF SUPPLY IS SUGGESTED.

**IMPORTANT:** Dimensions of fixtures are nominal and may vary within the range of tolerances established by ANSI Standard A112.19.2. These measurements are subject to change or cancellation. No responsibility is assumed for use of superseded or voided pages.