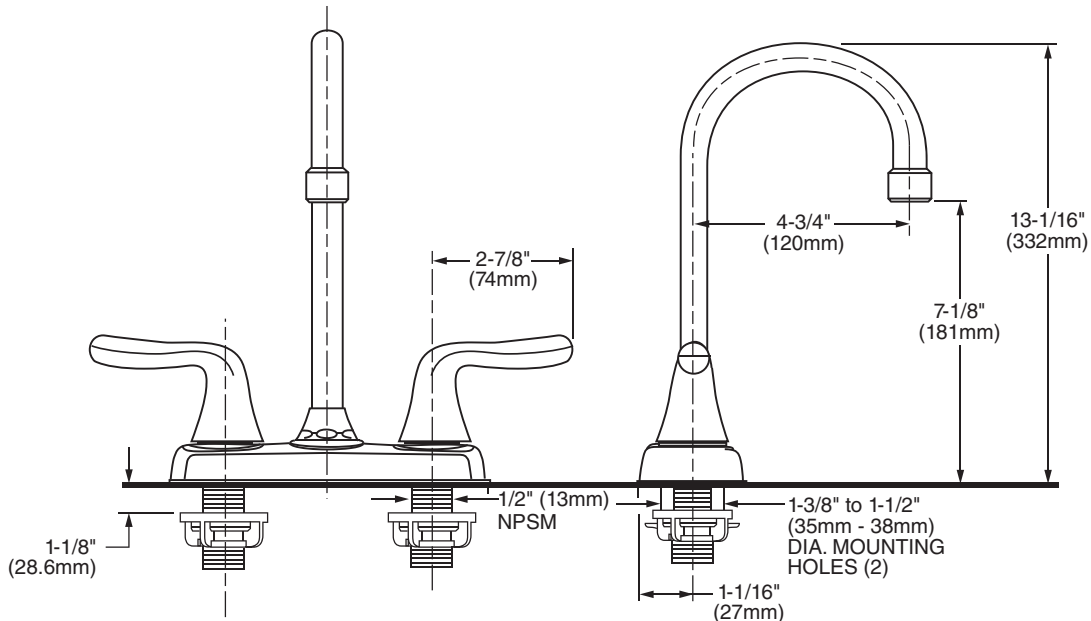




MODEL NUMBER:

- **2475F Centerset Bar Sink Faucet**
Lever handles. Polished Chrome finish.
SKU #138-235.



GENERAL DESCRIPTION:

Durable brass construction. 1/4 turn washerless ceramic disc valve cartridges. One-half inch male inlet shanks with brass coupling nuts. Brass gooseneck swivel spout. 1.5gpm/5.7L/min. maximum flow rate.

PRODUCT FEATURES:

Ceramic Disc Valve Cartridges: Assures a lifetime of smooth handle operation and drip-free performance.

Solid Brass Construction: Durable. Ideal for prolonged contact with water.

Lead Free: Faucet contains ≤ 0.25% total lead content by weighted average.

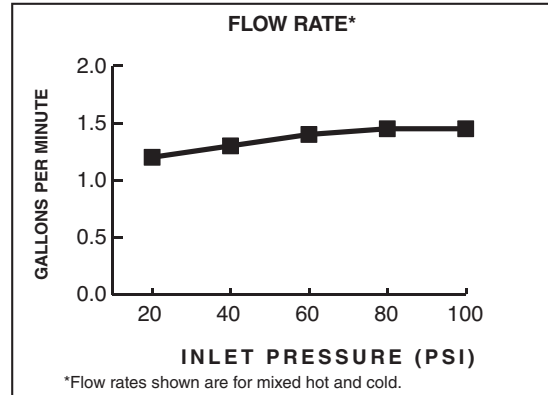
SUGGESTED SPECIFICATION:

Dual control centerset bar sink faucet shall feature brass construction with brass inlet shanks and brass coupling nuts. Shall also feature 1/4 turn washerless ceramic disc valve cartridges. Fitting shall be American Standard Model #2475F, SKU #138-235.

CODES AND STANDARDS

These products meet or exceed the following codes and standards:

- ANSI A117.1**
- ASME A112.18.1**
- CSA B 125**
- NSF 61/Section 9**



Product Number	Description
2475F	Bar sink faucet. Lever handles. Polished Chrome finish. SKU# 138-235.



Meets the American Disabilities Act Guidelines and **ANSI A117.1** Requirements for the physically challenged.