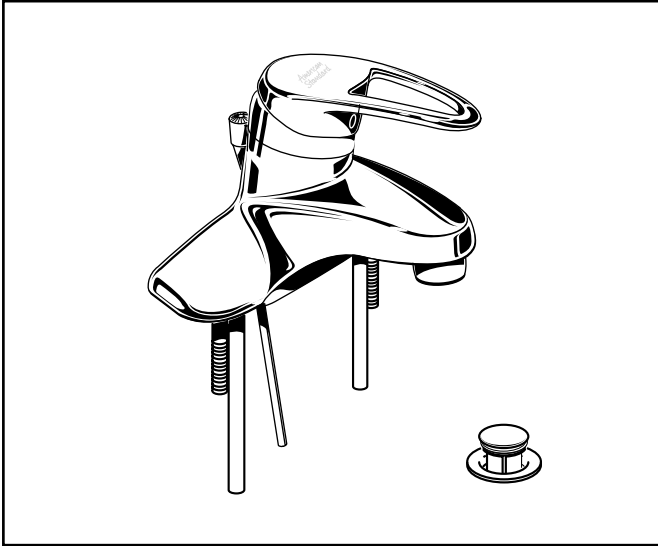


# American Standard

# Reliant+™

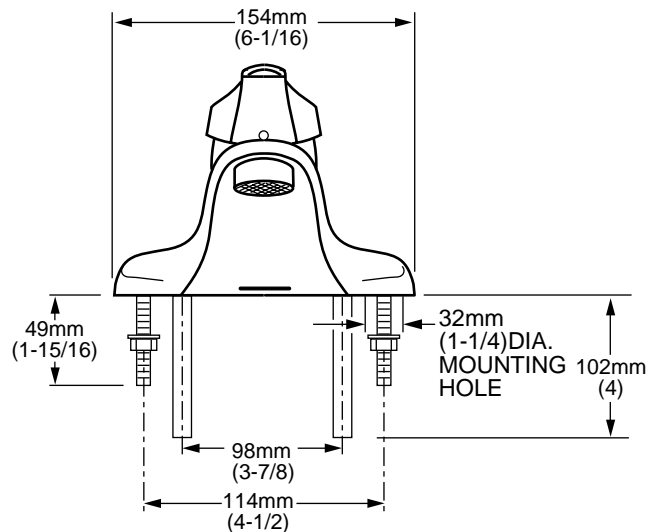
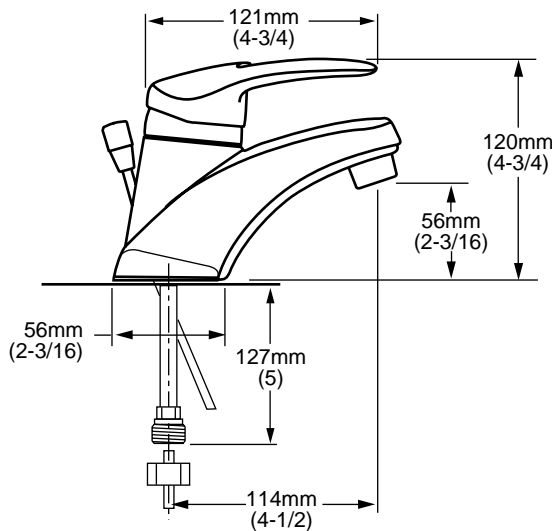
## SINGLE CONTROL LAVATORY FAUCET



2385.060 Shown.

### MODEL NUMBER:

- 2385.060 Lavatory Faucet**  
Metal Loop Handle. Metal pop-up drain. 3/8" O.D. copper inlets.
- 2385.460 Lavatory Faucet**  
Metal Loop Handle. Metal pop-up drain. 3/8" O.D. copper inlets with 1/2" male threaded connectors and nuts.



### GENERAL DESCRIPTION:

All metal body with Metal Loop Handle. Washerless ceramic 47mm disc valve cartridge. Equipped with a hot limit safety stop. 3/8" O.D. copper inlet supplies with or without 1/2" male threaded connectors and nuts. 2.2 gpm/8.3L/min. maximum flow rate. Fitting mounts on 4" centers.

### PRODUCT FEATURES:

**All Copper Waterway:** Highest quality, safest faucet material for durability & long life.

**Ceramic Disc Valve Cartridge:** Assures smooth, precise valve control and a lifetime of drip-free, maintenance-free performance.

**Wide "Comfort Zone":** Gives more sensitive temperature control.

**Adjustable Hot Limit Safety Stop:** Limits the amount of hot water allowed to mix with cold. Reduces the risk of accidental scalding.

**Low Lead:** Meets NSF Standard 61/Section 9 & Prop 65 lead requirements.

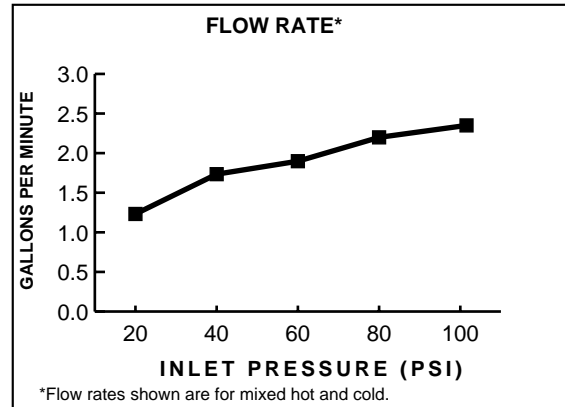
### SUGGESTED SPECIFICATION

Single control lavatory fitting shall feature an all metal body with metal loop handle. Shall also feature a washerless ceramic disc valve cartridge. Fitting shall be equipped with a hot limit safety stop. Fitting shall be American Standard Model # 2385.\_\_\_\_.\_\_\_\_.

### CODES AND STANDARDS

These products meet or exceed the following codes and standards:

- ANSI A117.1
- ASME A112.18.1M
- CSA B 125
- NSF 61/Section 9



Product Number	Description	Finish Options	
		Polished Chrome	PVD Polished Brass
2385.060	Lavatory Faucet. Metal Loop Handle. Metal pop-up drain. 3/8" O.D. copper inlets.	002	099
2385.460	Lavatory Faucet. Metal Loop Handle. Metal pop-up drain. 3/8" O.D. copper inlets with 1/2" male threaded connectors.		N/A

### N/A = NOT AVAILABLE



Meets the American Disabilities Act Guidelines and **ANSI A117.1** Requirements for the physically challenged.