

### MADERA™ FloWise® 16-1/2" HEIGHT ELONGATED with EVERCLEAN®

- Floor mount flushometer valve toilet
- Vitreous china
- High Efficiency, Low Consumption. Operates in the range of 1.1 gpf to 1.6 gpf (4.2 Lpf to 6.0 Lpf)
- Meets definition of HET (High Efficiency Toilet) when used with a high efficiency flush valve (1.28 gpf or 1.6 / 1.1 gpf dual flush)
- Permanent EverClean® surface inhibits the growth of stain and odor-causing bacteria, mold, and mildew on the surface
- Fully glazed 2-1/8" trapway
- Elongated bowl
- 10" or 12" roughing-in
- 16-1/2" rim height for accessible application
- Condensation channel
- Powerful direct-fed siphon jet action
- 10" x 12" water surface area
- 1-1/2" inlet spud
- 2 bolt caps
- 100% factory flush tested

- 3461.001** Elongated bowl only, top spud
- 3462.001** Elongated bowl only, top spud with slotted rim for bedpan holding (White only)
- 3465.001** Elongated bowl only, top spud with 4 bolts (White Only)
- 3466.001** Elongated bowl only, top spud with slotted rim for bedpan holding with 4 bolts (White only)
- 3463.001** Elongated bowl only, back spud
- 3464.001** Elongated bowl only, back spud with slotted rim for bedpan holding (White only)

#### System MaP\* Score:

- 1,000 grams of miso @ 1.6 gpf or 1.28 gpf when used with an American Standard flush valve

\* Maximum Performance (MaP) testing performed by IAPMO R&T Lab. MaP Report conducted by Veritec Consulting, Inc. and Koeller and Company.

#### Component Parts:

- 047007-0070A** Inlet Spud (furnished with bowl)
- 481310-100** Bolt caps with retainers (furnished with bowl)

#### Nominal Dimensions:

718 x 356 x 419mm  
(28-1/4" x 14" x 16-1/2")

Fixture only, less seat and flush valve

Recommended working pressure—between 25 psi at valve when flushing and 80 psi static

#### Compliance Certifications -

#### Meets or Exceeds the Following Specifications:

- ASME A112.19.2-2008 / CSA B45.1-08 for Vitreous China Fixtures



MEETS THE AMERICANS WITH DISABILITIES ACT GUIDELINES AND ANSI A117.1 REQUIREMENTS FOR ACCESSIBLE AND USABLE BUILDING FACILITIES - CHECK LOCAL CODES.



SEE REVERSE FOR ROUGHING-IN DIMENSIONS

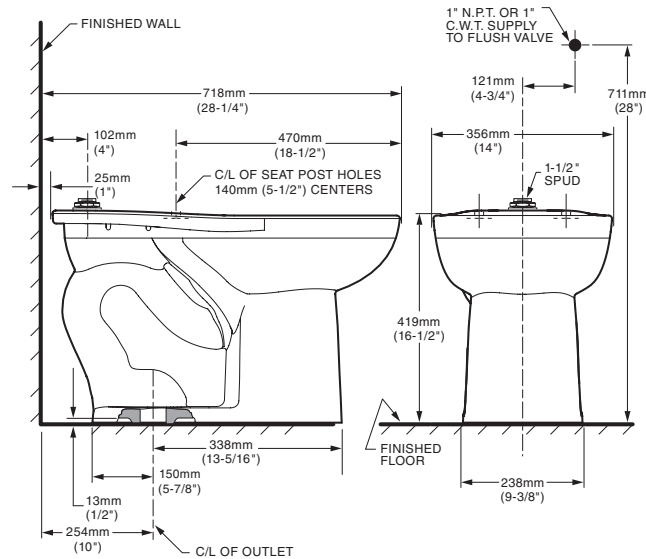
#### To Be Specified:

- Color:  White  Bone  Linen
- Seat:
  - American Standard #5901.100 Heavy duty open front less cover
  - American Standard #5905.100 Extra heavy duty open front less cover
- Flushometer Valve:
  - 1.6 gpf:
    - Sensor-Operated: American Standard Selectronic® DC Power #6065.161.002 (Top Spud)
    - Sensor-Operated: American Standard Selectronic® AC Power #6067.261.002 (Back Spud)
    - Manual: American Standard #6047.161.002 (Top Spud)
  - 1.28 gpf:
    - Sensor-Operated: American Standard Selectronic® DC Power #6065.121.002 (Top Spud)
    - Sensor-Operated: American Standard Selectronic® AC Power #6067.221.002 (Back Spud)
    - Manual: American Standard #6047.121.002 (Top Spud)
  - 1.6 / 1/1 gpf Dual Flush:
    - Sensor-Operated: American Standard Selectronic® DC Power #6065.761.002 (Top Spud)

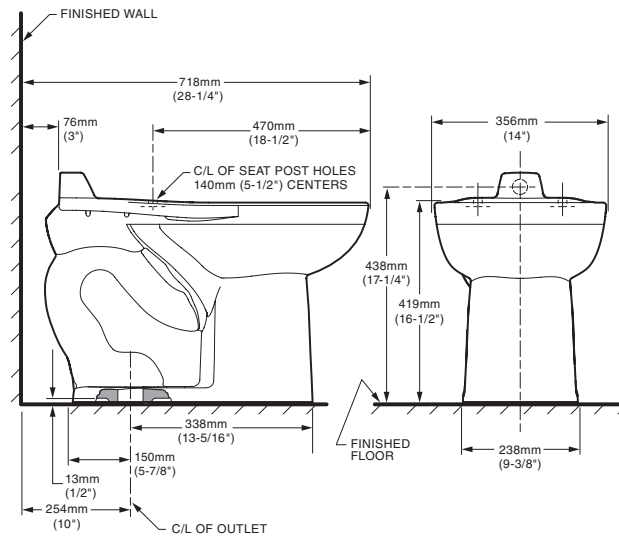
EVERCLEAN®  
Surface



**3461.001/3462.001/3465.001/3466.001**



**3463.001/3464.001**



**NOTES:**

PRODUCT 3461 AND 3463 SHOWN, 3462 AND 3464 SAME EXCEPT WITH SLOTTED RIM FOR BED PAN HOLDING.  
TO COMPLY WITH AREA CODE GOVERNING THE HEIGHT OF VACUUM BREAKER ON THE FLUSHOMETER VALVE, THE PLUMBER MUST VERIFY DIMENSIONS SHOWN FOR SUPPLY ROUGHING.  
THIS TOILET DESIGNED TO ROUGH-IN AT A MINIMUM DIMENSION OF 254MM (10") AND A MAXIMUM DIMENSION OF 305MM (12") FROM FINISHED WALL TO C/L OF OUTLET.  
FLUSHOMETER VALVE NOT INCLUDED WITH FIXTURE AND MUST BE ORDERED SEPARATELY. FLUSHOMETER VALVE REQUIREMENTS FOR 12" (305MM) ROUGH-IN: SWEAT EXTENSION NIPPLE IS REQUIRED. REFER TO VALVE MANUFACTURER AND LOCAL CODES.

**IMPORTANT:** Dimensions of fixtures are nominal and may vary within the range of tolerances established by ANSI Standard A112.19.2. These measurements are subject to change or cancellation. No responsibility is assumed for use of superseded or voided pages.

# SELECTRONIC® SENSOR-OPERATED TOILET FLUSH VALVE, DUAL FLUSH 1.6/1.1 GPF BATTERY POWERED



## GENERAL DESCRIPTION:

Exposed, sensor-operated Selectronic® Toilet Flush Valve for floor-mounted or wall-hung 1-1/2" top spud bowls. CR-P2 lithium battery powered.

## PRODUCT FEATURES:

- **Factory-Installed CR-P2 Lithium Battery**
- **Self-Cleaning Piston** with integral wiper spring significantly reduces clogging and maintenance
- **Selectronic® Proximity System** with universal sensor provides hygienic, "hands free" operation
- **State-of-the-Art Electronics** prevent ghost flushing
- **Dezincification Resistant** semi-red brass alloy
- **Fully Mechanical Manual Override Button** can flush the valve without power
- **Fail-Safe:** Valve automatically closes upon loss of power or water pressure and does not need to be reset
- **Adjustable Sanitary Flush** cleans the fixture & maintains the trap seal.
- **Stadium Feature:** Valve automatically switches to water savings mode during periods of heavy usage
- **Chemical Resistant EPDM Seals** for extended life
- **High Back Pressure Vacuum Breaker**
- **Adjustable Tailpiece**
- **Range can be adjusted manually or with optional remote control**
- **No external volume adjustment.**
- **Can be installed left or right handed**

## MODEL NUMBER:

- ❑ **6065.761.002** Exposed, sensor-operated flush valve for 1-1/2" top spud flushometer bowls, Dual Flush 1.6/1.1 gpf.

Inlet includes 1" sweat solder kit and angle stop with back flow protection and vandal-resistant cap.

Outlet includes 1-1/2" high back pressure vacuum breaker with spud coupling and flange.

- ❑ **6063.561.002** Retrofit Valve Only, Dual Flush 1.6/1.1 gpf

## DUAL FLUSH OPERATION

User in detection zone < 60 seconds, 1.1 gallon flush  
User in detection zone ≥ 60 seconds, 1.6 gallon flush

## OPERATING PRESSURE:

Overall Range: 20-125 psi\*\*

Recommended: 25 psi (flowing) - 80 psi (static)

\*\* Water pressure over 80 psi is not recommended for most plumbing fixtures.

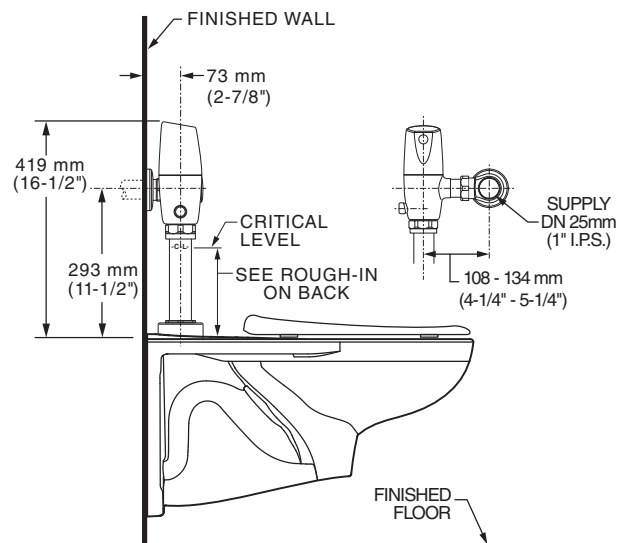
## FLOW REQUIREMENT:

25 gpm (94.6 L/min.)

## BATTERY LIFE:

4 years

## TYPICAL WATER CLOSET INSTALLATION: AFWALL™ TOILET SHOWN



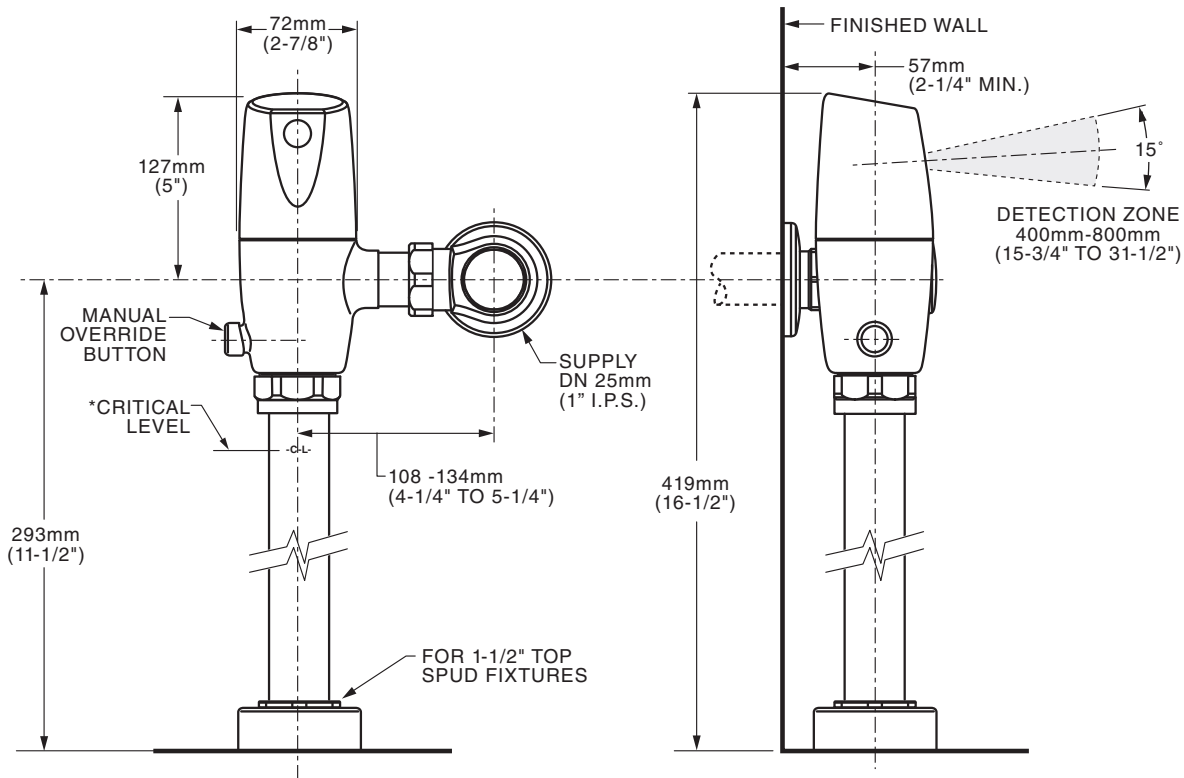
## RECOMMENDED SPECIFICATION:

Electronic, sensor activated toilet flush valve shall feature self-cleaning piston valve with integral wiper spring in refill orifice to prevent clogging. Includes a factory-installed CR-P2 lithium battery and fully mechanical manual override that can flush the valve without power. Includes semi-red brass valve body and metal cover with chrome finish. Includes angle stop with back-flow protection & vandal-resistant cap. Sweat solder kit and high back pressure vacuum breaker also included. Dual Flush 1.6/1.1 gpf (6.0/4.2 Lpf) flush valve shall be American Standard Model # 6065.761.002.

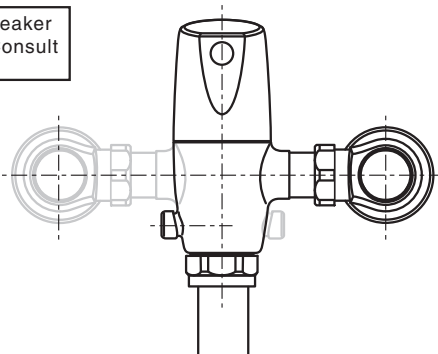
**LISTINGS:**

- ASSE 1037
- ANSI/ASME A112.19.2
- ADA Compliant

**Roughing-in Dimensions**



\*Note: The Critical Line (-C-L-) on Vacuum Breaker must typically be 6" (152mm) above fixture. Consult Codes for details.



**Right or Left Hand Installation**

**COMMERCIAL TOILET SEATS**

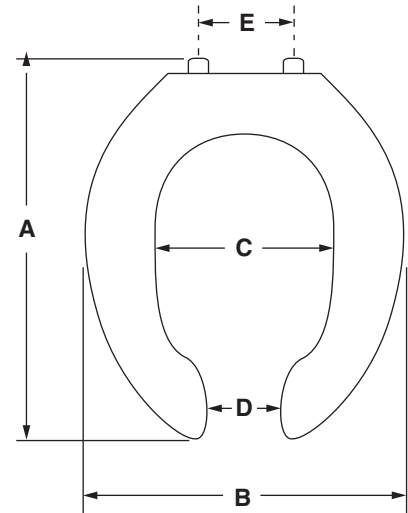
- 5901.100** Elongated Heavy Duty bowl open front seat less cover
- 5901.100SS** Same as 5901.100 with self-sustaining hinge
- 5901.110T** Same as 5901.100 with EverClean® Surface
- 5901.110T5** Master Pack of 5 - 5901.110T seats individually boxed and labeled for easy sell through

- Open front toilet seat less cover
- Injection molded solid polypropylene
- Fits elongated bowl
- Features large molded-in bumpers
- External check hinge with 304 Series stainless steel hinge posts stops seat 11° beyond vertical
- EverClean® silver-based surface permanently inhibits the growth of stain and odor causing bacteria, mold and mildew on the surface. EverClean® surface does not protect against disease causing bacteria.



**5901**

<b>Model #</b>	<b>5901</b>
<b>A</b>	18-9/16" (471mm)
<b>B</b>	14-3/8" (365mm)
<b>C</b>	7-7/8" (200mm)
<b>D</b>	3-1/2" (89mm)
<b>E</b>	5-1/2" (140mm)
<b>Ring Thickness</b>	7/8" (22mm)
<b>Ring Thickness with Bumper</b>	1" (25mm)



**To Be Specified:**

- Color:  White