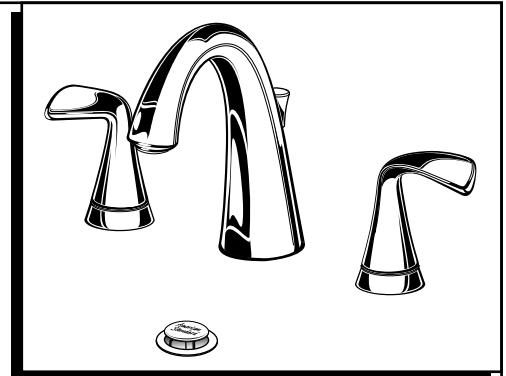


# Installation Instructions

**7186.801**  
**7186.811**



Certified to comply with ANSI A112.18.1  
M965622 Rev. 1.2 (12/17)

## FLUENT®

Wide Spread Lavatory Faucet with Speed Connect® Drain

Congratulations on purchasing your American Standard faucet with Speed Connect drain, a feature found only on American Standard faucets.

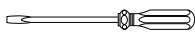
### Speed Connect Drain\*

- Fewer parts, installs in less time
- Never needs adjustment
- Guaranteed to seal properly the first time, every time.

\*Your new American Standard faucet is designed to work only with the Speed Connect drain.

To ensure that your installation proceeds smoothly-please read these instructions carefully before you begin.

#### Recommended tools



Flat Head Screwdriver



Slip Jaw Pliers



Adjustable Wrench



Tubing Cutter

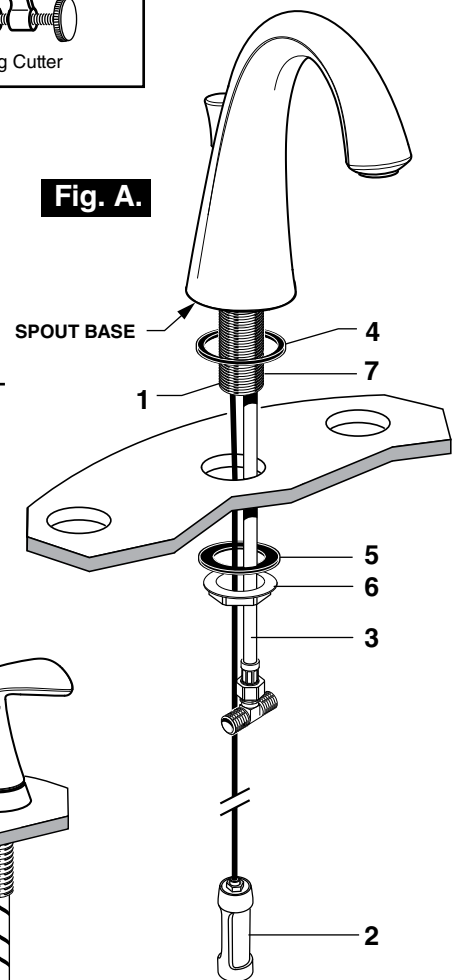
## 1 INSTALL SPOUT

### Fig. A.

**CAUTION** Turn off hot and cold water supplies before beginning.

- Insert (1) CABLE CONNECTOR (2) and HOSE (3) through center hole, making sure SEAL WASHER (4) is properly seated in spout base.
- Assemble RUBBER WASHER (5), LOCKNUT (6) and thread LOCKNUT (6) onto SHANK (7) from underside of sink or mounting surface.
- Align and center SPOUT (1). Tighten LOCKNUT (6).

**Fig. A.**

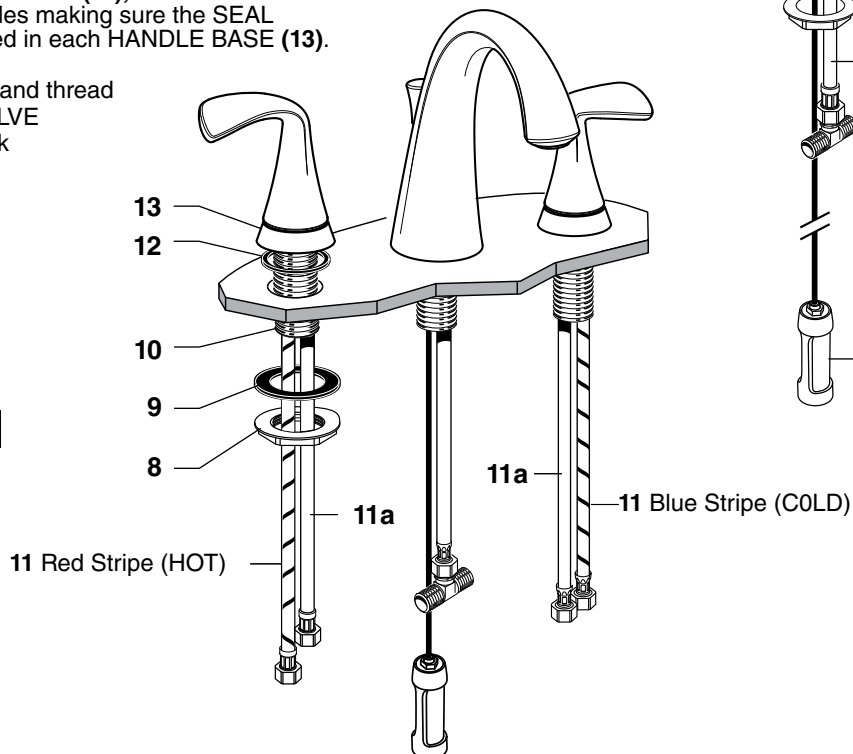


## 1A INSTALL VALVE BODIES

### Fig. B.

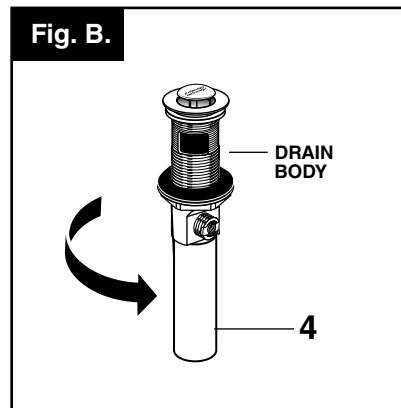
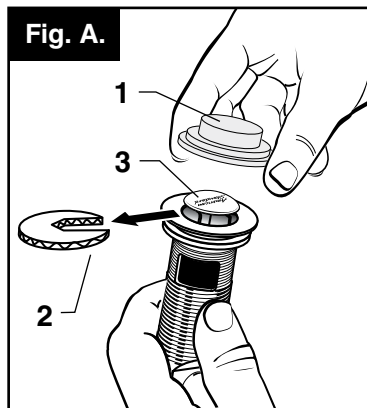
- Remove LOCKNUT (8) and RUBBER WASHER (9) from SIDE VALVE SHANKS (10).
- Insert Hot and Cold SIDE VALVE HOSES (11), FLEXIBLE SUPPLIES (11a) into mounting holes making sure the SEAL WASHERS (12) are properly seated in each HANDLE BASE (13).
- Assemble RUBBER WASHER (9) and thread LOCKNUT (8) onto each SIDE VALVE SHANK (10) from underside of sink or mounting surface.
- Align and center SIDE VALVES. Tighten LOCKNUTS (8).

**Fig. B.**



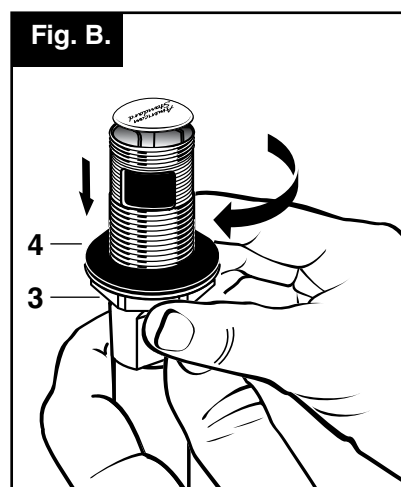
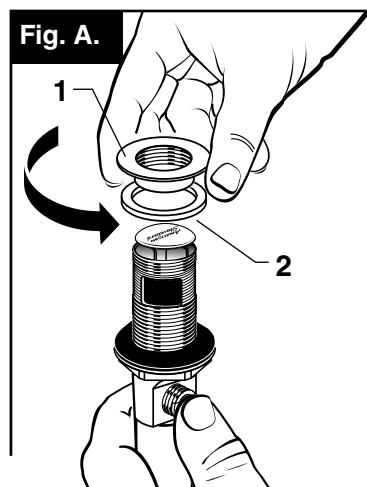
## 2 POP-UP DRAIN

- Remove CLEAR PLASTIC COVER (1).
- Remove CARDBOARD SPACER (2) from under DRAIN POP-UP (3).
- Tighten TAILPIECE (4) on DRAIN BODY before installing DRAIN BODY. **Fig. B.**



## 3 REMOVE FLANGE

- Thread FLANGE (1) counter-clockwise and remove FLANGE (1) and FOAM GASKET (2) from drain body. **Fig. A.**
- Thread LOCKNUT (3) clock-wise to bottom of drain body. Push GASKET (4) down against LOCKNUT (3). **Fig. B.**

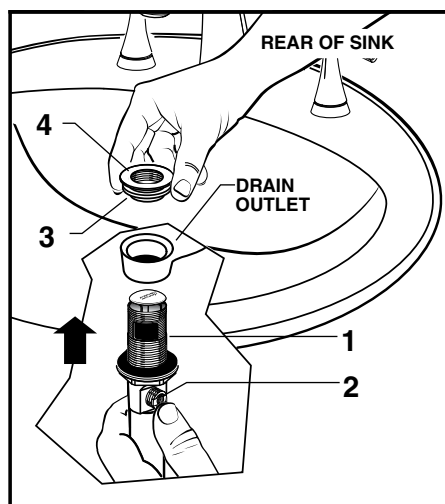


## 4 INSTALL DRAIN FROM BELOW FIXTURE

- From under side of SINK install DRAIN BODY (1) up through drain outlet.

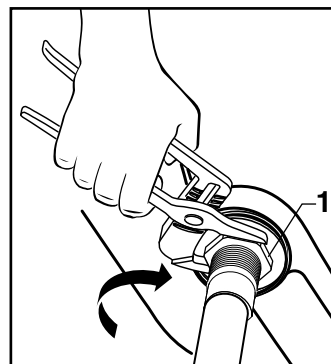
**Note:** No plumber's putty or caulk is required. The CABLE ATTACHMENT POINT (2) must face towards the rear of the SINK.

- Install FOAM GASKET (3) and FLANGE (4) onto drain body from above SINK and tighten FLANGE (4) firmly.



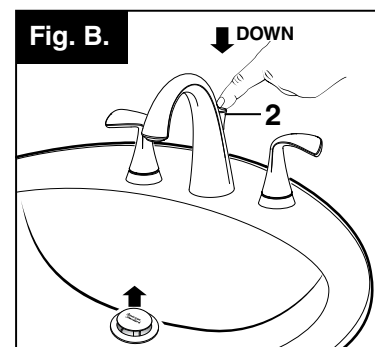
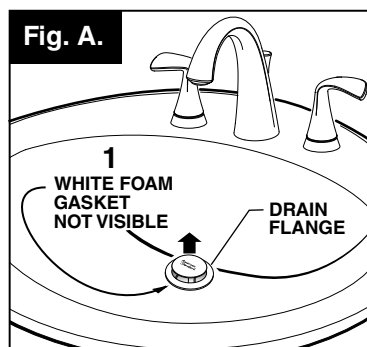
## 5 TIGHTEN LOCKNUT

- Tighten LOCKNUT (1) firmly with Adjustable Wrench or Slip Jaw Pliers.



## 6 FLANGE GASKET AND POP-UP KNOB

- Check DRAIN FLANGE in SINK to ensure that WHITE FOAM GASKET (1) is fully compressed and not visible. **Fig. A.**
- POP-UP KNOB (2) must be fully down. **Fig. B.**

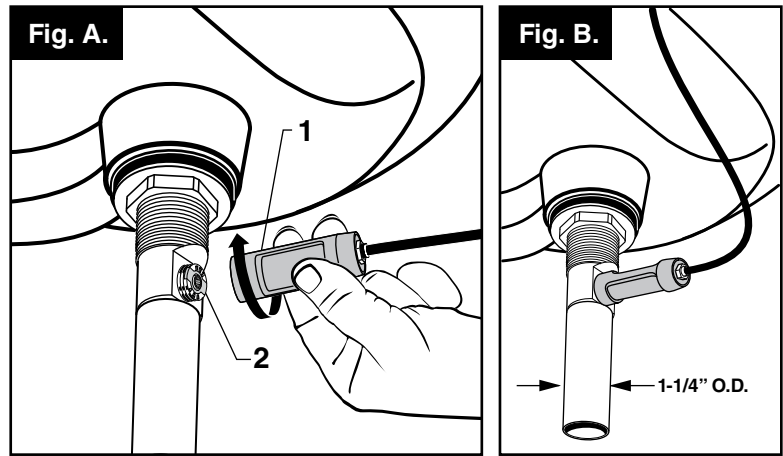


## 7 ATTACH CABLE CONNECTOR

- Thread CABLE CONNECTOR (1) clockwise onto CABLE ATTACHMENT POINT (2) and hand tighten. **Fig. A.**

Your new POP-UP DRAIN installation is now complete. **Fig. B.**

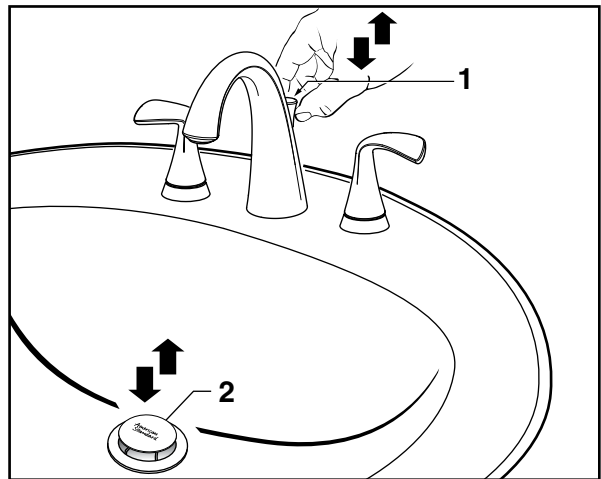
**Note:** Tailpiece on pop-up drain is 1-1/4" O.D. **Fig. B.**



## 8 CHECK OPERATION OF POP-UP

- Operate LIFT KNOB (1) to verify that STOPPER (2) opens and closes.

**Note:** If STOPPER (2) does not open and close properly, refer to the "troubleshooting section" of these instructions.



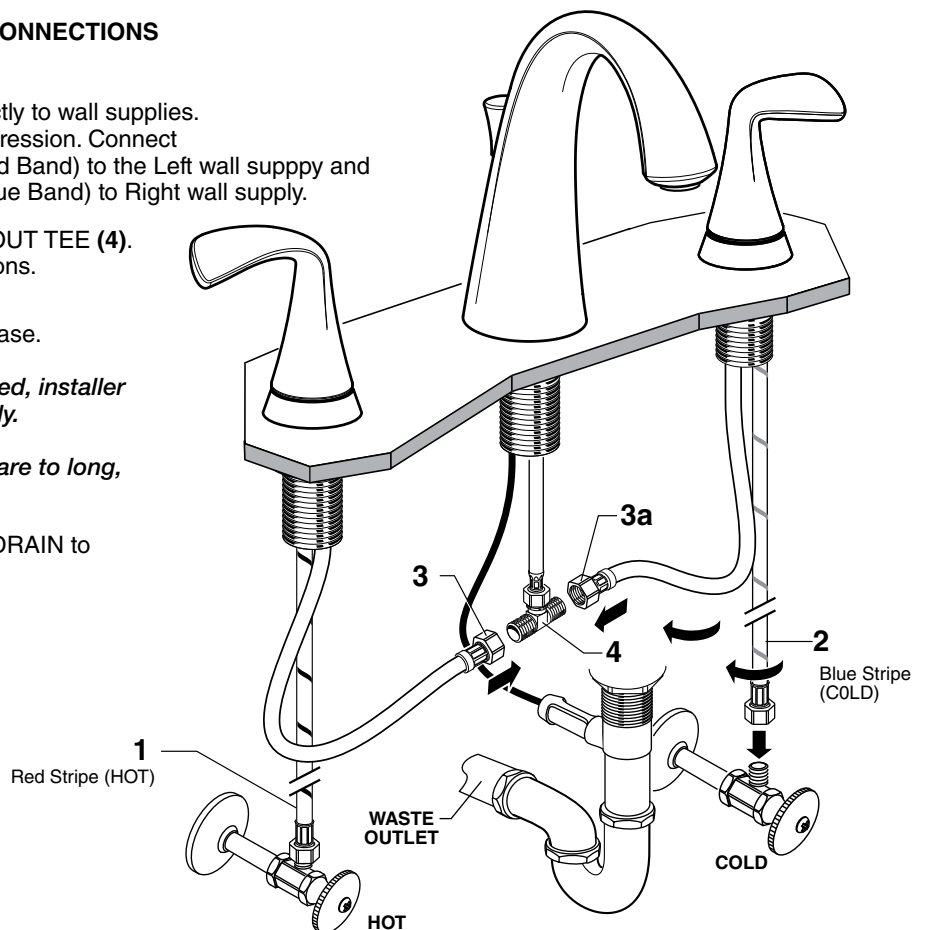
## 9 MAKE WATER SUPPLY AND WASTE CONNECTIONS

- Connect FLEXIBLE SUPPLIES (1, 2) directly to wall supplies. Connection on fitting supplies is 3/8" compression. Connect FLEXIBLE SUPPLY (1) (Marked with a Red Band) to the Left wall supply and FLEXIBLE SUPPLY (2) (Marked with a Blue Band) to Right wall supply.
- Connect the VALVE HOSES (3, 3a) to SPOUT TEE (4). Use adjustable wrench to tighten connections. Do not over tighten.
- Faucet supplies are 20" long from faucet base.

**Note:** If additional supply length is required, installer must purchase additional parts separately.

**Important:** If FLEXIBLE SUPPLIES (1, 2) are too long, loop to avoid kinking.

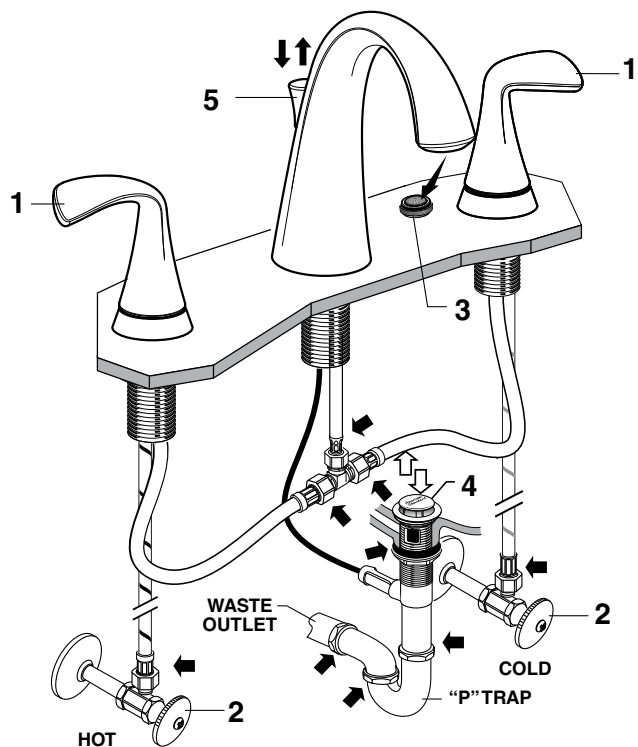
- Connect 1-1/4" O.D. tailpiece on POP-UP DRAIN to waste outlet.



M965622 Rev. 1.2 (12/17)

## 10 TEST INSTALLED FITTING

- With HANDLES (1) in OFF position, turn on WATER SUPPLIES (2) and check all connections for leaks. ➡
- Remove AERATOR (3).
- Operate both HANDLES (1) to flush water lines thoroughly.
- Replace AERATOR (3).



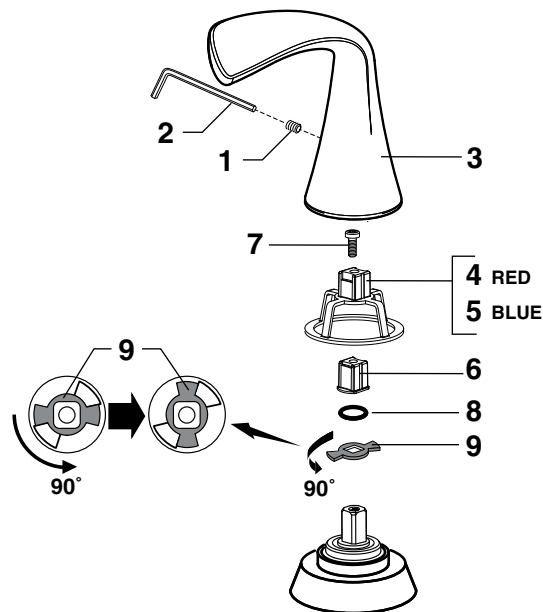
## 11 CHECK DRAIN CONNECTIONS

- Operate POP-UP KNOB (5) and fill Sink with water. Check that DRAIN STOPPER (4) makes a good seal and retains water in Sink. If STOPPER (4) does not seal properly, please refer to "Troubleshooting Guide" in these instructions.
- Release POP-UP KNOB (5) down and check all drain connections and "P" trap for leaks. ➡ Tighten if necessary.

## 12 SERVICE

### To change direction of handle:

- Turn valves to OFF position.
- Turn off water supplies.
- Loosen SET SCREW (1) with 5/64" HEX WRENCH (2).
- Pull HANDLE (3) "UP" firmly to release from PLASTIC INSERT (4, 5 or 6).
- Remove SCREW (7) and pull off PLASTIC INSERT (4, 5 or 6).
- Remove RETAINING O-RING (8).
- Lift and turn STOP WASHER (9) 90°. Replace RETAINING O-RING (8).
- Re-install HANDLE ASSEMBLY.
- AERATOR may accumulate dirt causing distorted and reduced water flow. Remove AERATOR and rinse to clear any debris.
- If spout drips, operate handles several times from OFF to ON position. Do not force - handles turn only 90°.



## 13 CARE INSTRUCTIONS:

**DO: CLEAN WITH CLEAR WATER. DRY WITH A SOFT COTTON FLANNEL CLOTH.**

**DO NOT: DO NOT CLEAN THE PRODUCT WITH SOAPS, ACID, POLISH, ABRASIVES, HARSH CLEANERS, OR A CLOTH WITH A COARSE SURFACE.**

## Speed Connect® Drain Troubleshooting Guide

If sink does not hold water even though Stopper is in the “down” position:

- Follow CABLE ADJUSTMENT PROCEDURE.

If Stopper does not raise up fully or sink drains too slowly:

- Follow CABLE ADJUSTMENT PROCEDURE.

If you need to remove the Stopper:

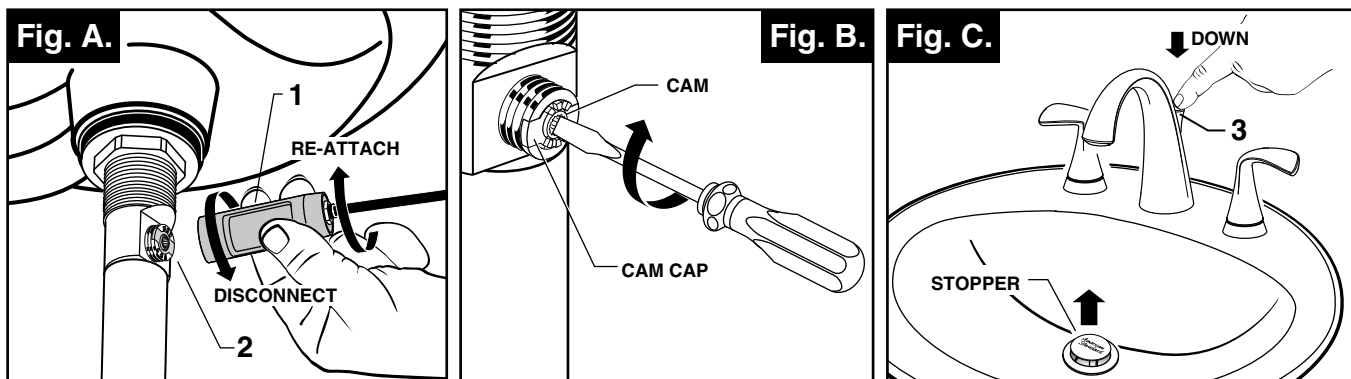
- Follow STOPPER REMOVAL PROCEDURE.

If you would like the ability to remove your Stopper simply by lifting it out of the drain:

- Follow STOPPER INSTALLATION PROCEDURE for “Unlocked” mode.

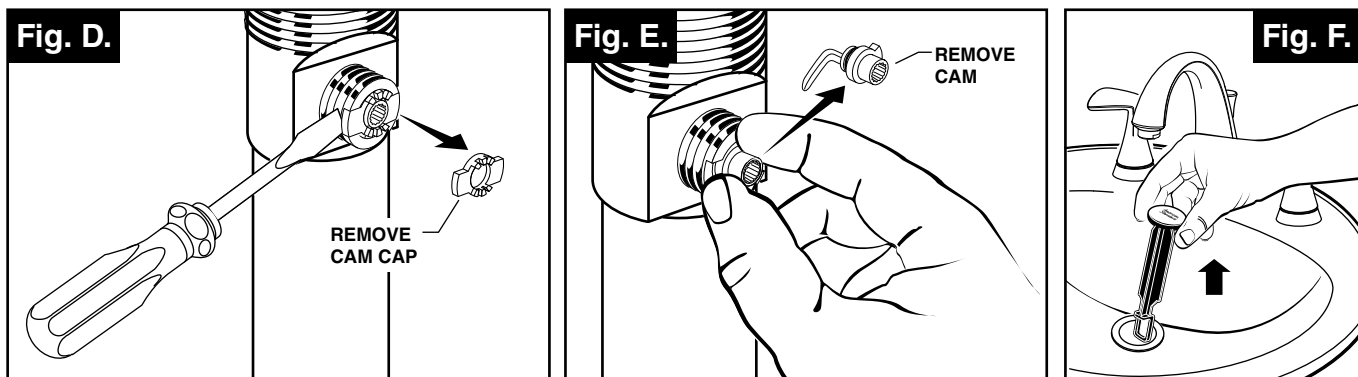
### CABLE ADJUSTMENT PROCEDURE

- Disconnect the Cable from the Drain by threading the CABLE CONNECTOR (1) counter-clockwise. **Fig. A.**
- Look at the area on the Drain Body where the Cable was attached and locate the component labeled as “Cam” in the illustration. **Fig. B.**
- Use a small flat head screwdriver to fully rotate the Cam in the clockwise direction. At this point the Stopper should be in the UP position. **Fig. B, C.**
- Make sure the LIFT KNOB (3) is fully down. **Fig. C.**
- Re-attach the CABLE CONNECTOR (1) to the CABLE ATTACHMENT POINT (2) by threading the CABLE CONNECTOR (1) clockwise onto the CABLE ATTACHMENT POINT (2) and hand-tighten. **Fig. A.**



### STOPPER REMOVAL PROCEDURE

- Disconnect the Cable from the Drain by threading the Cable Connector (1) counter-clockwise. **Fig. A.**
- Look at the area on the Drain Body where the Cable was attached and locate the component labeled as “Cam” and “Cam Cap” in the illustration. **Fig. B.**
- Use fingers or small screwdriver under either side of the Cam Cap to pry it out from the Drain. **Fig. D.**
- Remove the Cam by pulling it straight out while wiggling gently to loosen the Rubber Seal. **Fig. E.**
- The Stopper can now be removed by lifting it out of the Drain. **Fig. F.**

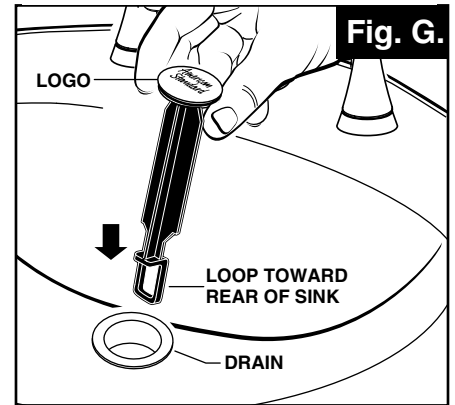


## STOPPER INSTALLATION PROCEDURE

The Stopper can be installed two ways, “Locked” Mode (Stopper cannot be removed) or “Unlock” Mode (Stopper is removable).

### Locked Mode:

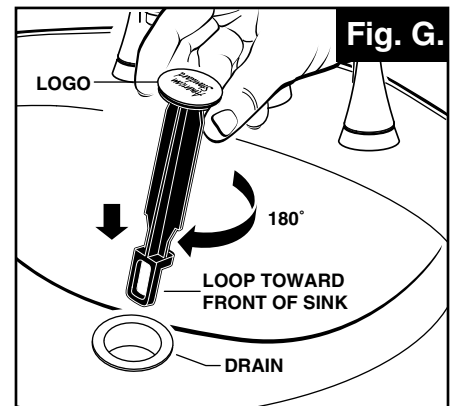
- Look at the Plastic Loop at the bottom of the Stopper and notice that the Loop is on one side of the Stopper. **Fig. G.**
- To install the stopper in “Locked” mode, insert the Stopper into the Drain so that the Plastic Loop is facing toward the rear of the Sink and the American Standard logo is facing front. Rotate Stopper slightly if necessary so that the Stopper slides all the way down. **Fig. G.**
- Re-install the Cam into the Drain, rotating the Cam if necessary to make sure it is fully inserted. **Fig. J.**
- Re-install the Cam Cap, making sure the guide teeth are facing outward. If the Cam Cap does not “snap” into place, then rotate the Cam to make sure it is fully inserted. **Fig. K.**
- Re-attach Cable. See “CABLE ADJUSTMENT PROCEDURE” in Troubleshooting Guide to complete installation. Stopper will be in “Locked” mode and not be removable.



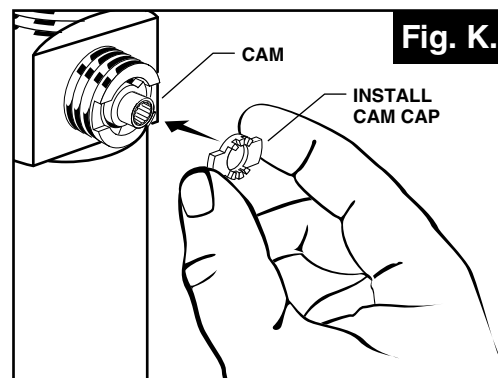
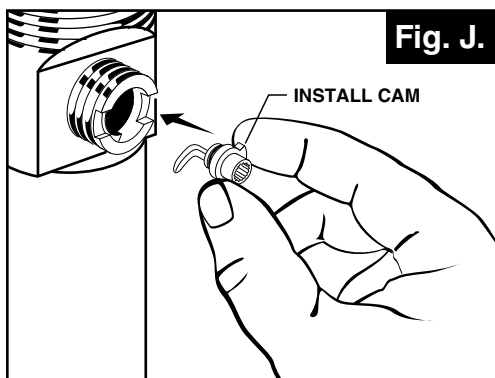
**Locked Mode  
(Vandal Proof)**

### Unlocked Mode:

- Look at the Plastic Loop at the bottom of the Stopper and notice that the Loop is on one side of the Stopper. **Fig. H.**
- To install the stopper in “Unlocked” mode, insert the Stopper into the Drain so that the Plastic Loop is facing toward the front of the Sink and the American Standard logo is facing rear. Rotate Stopper slightly if necessary so that the Stopper slides all the way down. **Fig. H.**
- Re-install the Cam into the Drain, rotating the Cam if necessary to make sure it is fully inserted. **Fig. J.**
- Re-install the Cam Cap, making sure the guide teeth are facing outward. If the Cam Cap does not “snap” into place, then rotate the Cam to make sure it is fully inserted. **Fig. K.**
- Re-attach Cable. See “CABLE ADJUSTMENT PROCEDURE” in Troubleshooting Guide to complete installation. Stopper will be in “Unlocked” mode and removable.



**Unlocked Mode**



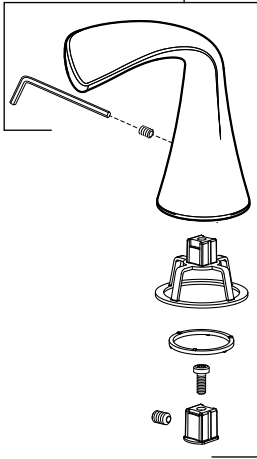
*American Standard*

**FLUENT®**  
**Wide Spread Lavatory Faucet**  
**with Speed Connect® Drain**

MODEL NUMBERS

**7186.801**  
**7186.811**

**M964919-YYY0A**  
 LEVER HANDLE (LEFT)  
**M964920-YYY0A**  
 LEVER HANDLE (RIGHT)

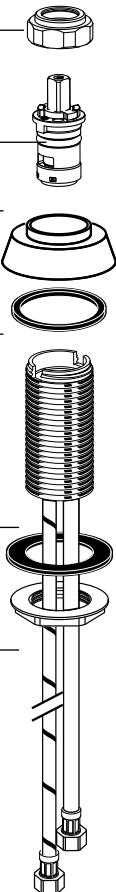


**M904924-0070A**  
 CARTRIDGE NUT

**M964005-0070A**  
 CARTRIDGE

**M964922-YYY0A**  
 HANDLE BASE

**M961634-0070A**  
 VALVE  
 MOUNTING KIT

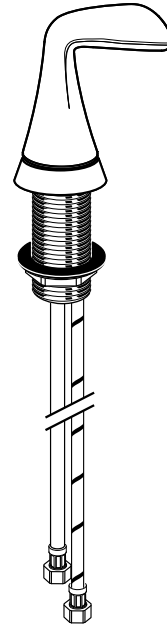
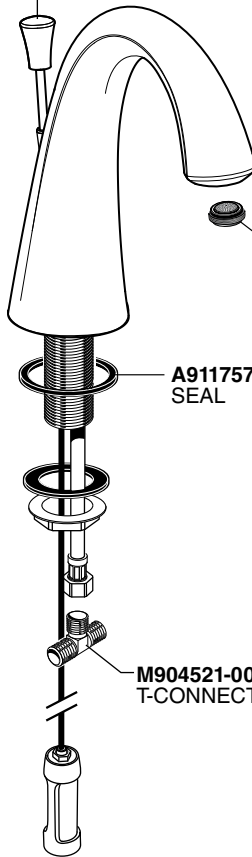


**M964923-YYY0A**  
 LIFT ROD AND KNOB

**M964479-0070A**  
 AERATOR (1.2 GPM)

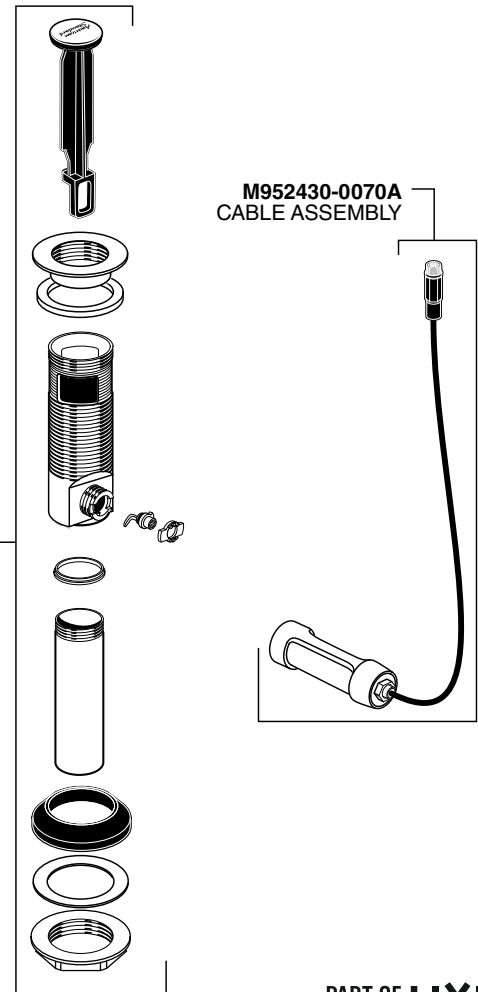
**A911757-0070A**  
 SEAL

**M904521-0070A**  
 T-CONNECTOR



**M952430-0070A**  
 CABLE ASSEMBLY

**M952425-YYY0A**  
 DRAIN ASSEMBLY



Replace the "YYY" with appropriate finish code

CHROME	002
SATIN NICKEL	295
LEGACY BRONZE	278

**HOT LINE FOR HELP**

For toll-free information and answers to your questions, call:  
 1 (800) 442-1902  
 Mon. - Fri. 8:00 a.m. to 8:00 p.m. EST  
 Saturday 10:00 a.m. to 4:00 p.m. EST  
 IN CANADA 1-800-387-0369  
 (TORONTO 1-905-306-1093)  
 Weekdays 8:00 a.m. to 7:00 p.m. EST  
 IN MEXICO 01-800-839-1200



PART OF **LIXIL**

M965622 Rev. 1.2 (12/17)