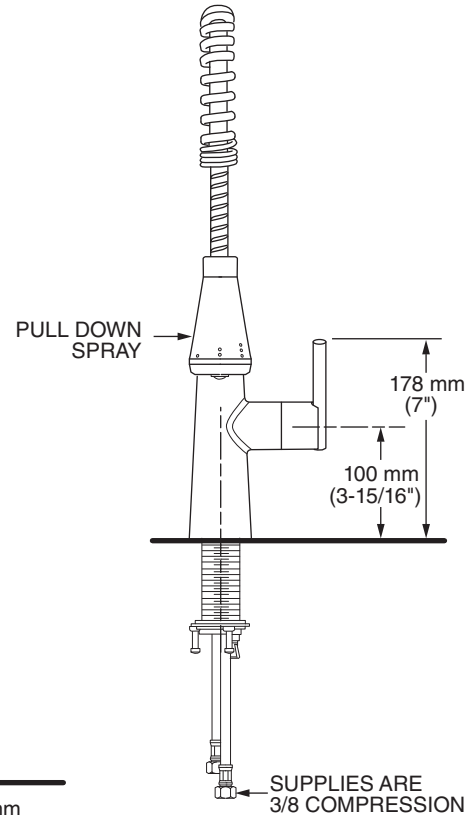
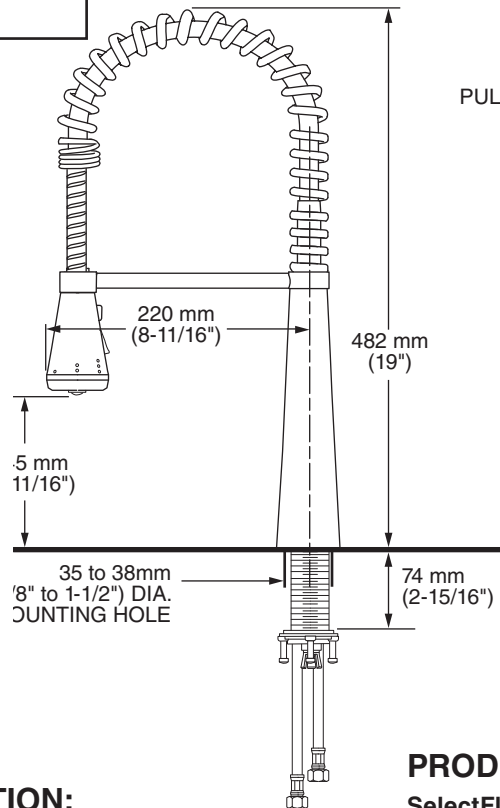


**MODEL NUMBER:**

☐ 4932.350 Semi-Professional Kitchen Faucet



**GENERAL DESCRIPTION:**

Culinary spring spout with metal reinforced hose featuring a pull-down SelectFlo™ 4 function spray head with pause feature. Metal body with two-part ADA metal lever handle. Toggle down into spray mode and rotate dial to select desired spray. Washerless 35 mm ceramic disc valve cartridge. Braided flexible Stainless Steel supply hoses with 3/8" compression connections. Metal mounting shank with brass fixation ring. Complete with two integral check valves. 1.5 gpm / 5.7 L/min. maximum flow rate. Fitting can be mounted with or without escutcheon plate (sold separately).

**PRODUCT FEATURES:**

**SelectFlo™ Spray Head:** 4 function spray with pause offers STREAM, SPRAY, MIST and JET sprays to perform various kitchen tasks.

**Ceramic Disc Valve Cartridge:** Assures a lifetime of smooth handle operation and drip-free performance.

**Memory Position Valving:** Allows user to turn valve on and off at preferred temperature setting without readjusting handle position each time.

**Lead Free:** Faucet contains ≤ 0.25% total lead content by weighted average.

**Integral Check Valves:** Prevents back flow.

**SUGGESTED SPECIFICATION:**

Single control Semi-Professional kitchen faucet shall feature a culinary spring swivel spout with pull-down SelectFlo™ spray, metal reinforced hose, body and handle. Shall also feature washerless ceramic disc valve cartridge and flexible Stainless Steel supply hoses. Faucet shall be American Standard Model # 4932.350.\_\_\_\_.

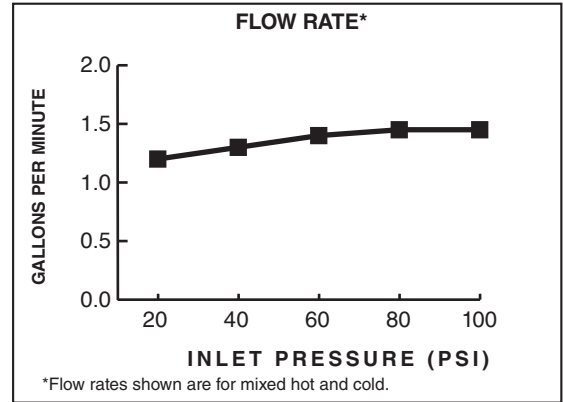


**EDGEWATER™**  
**SEMI-PROFESSIONAL KITCHEN FAUCET**  
**WITH SELECTFLO™**

**CODES AND STANDARDS**


These products meet or exceed the following codes and standards:

- ANSI A117.1**
- ASME A112.18.1**
- CSA B125.1**
- NSF 61/Section 9**
- NSF 372**



**1.5 gpm/5.7 L/min. FLOW RATE**

Product Number	Description	Finish Options	
		Polished Chrome	PVD Stainless Steel
4932.350	Edgewater SelectFlo™ Semi-Professional Bar Faucet	002	075

 Meets the American Disabilities Act Guidelines and **ANSI A117.1** Requirements for the physically challenged.