

# INSTALLATION INSTRUCTIONS CARE AND MAINTENANCE

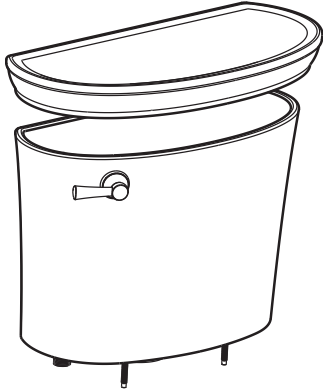


## Heritage™ VorMax™ Right Height® Elongated 2-piece Toilet Model 205AA104

Thank you for selecting American Standard - the benchmark of fine quality for over 100 years. To ensure this product is installed properly, please read these instructions carefully before you begin. (Certain installations may require professional help.) Also be sure your installation conforms to local codes.

**⚠ CAUTION: PRODUCT IS FRAGILE. TO AVOID BREAKAGE AND POSSIBLE INJURY HANDLE WITH CARE!**  
NOTE: Pictures may not exactly define contour of china and components.

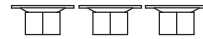
### TANK 4270A104



#### EZ-INSTALL KIT INCLUDED WITH TANK



Attachment Handle

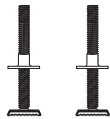


Nuts (3)

### BOWL 3870A101 RIGHT HEIGHT® ELONGATED



#### EZ-INSTALL KIT INCLUDED WITH BOWL



T-Bolts with Retainer (2)



Bolt Caps (2)

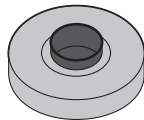


Bowl-To-Floor Knobs (2)

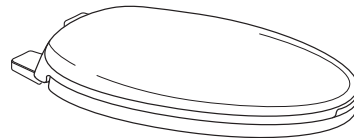
#### SOLD SEPARATELY



Water Supply Line

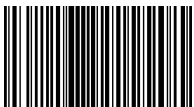


Wax Ring



Toilet Seat

S A V E F O R F U T U R E U S E

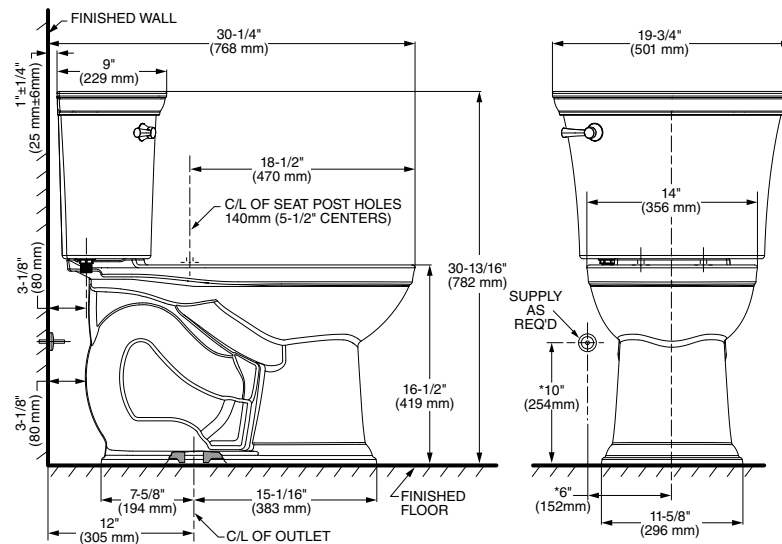


7302187-100

Product names listed herein are trademarks of AS America, Inc.  
© AS America, Inc. 2014

**ROUGHING-IN DIMENSIONS:**

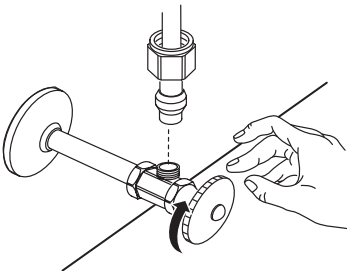
**NOTE:** Distance from wall to closet flange centerline must be as listed:



Installation video can be found at: <http://www.americanstandard-us.com/vormaxtoilet>

**Before You Start:**

**Turn Off Water Supply**

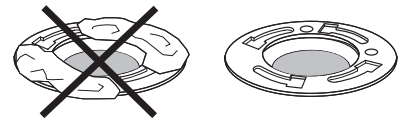


**If Removing An Existing Toilet**

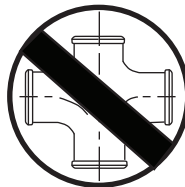
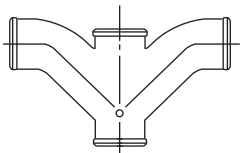
Flush to remove water from tank; sponge remaining water from bowl before removing toilet.



**Clean Flange**



**Caution:** If leaving floor flange open for more than 1-2 hours, cover flange to prevent escaping sewer gases.

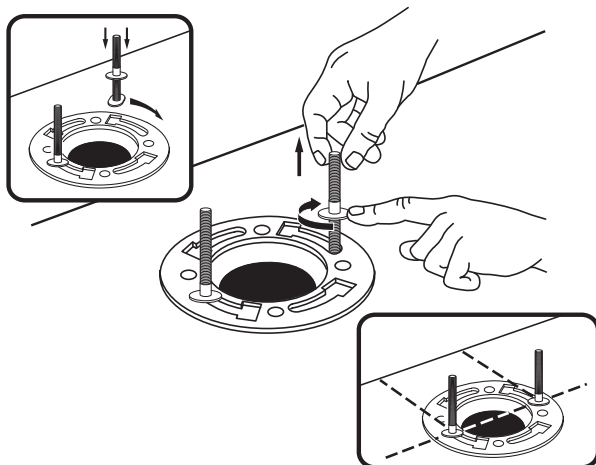


Recommended fitting type for back-to-back installations.

**BACK-TO-BACK INSTALLATION**

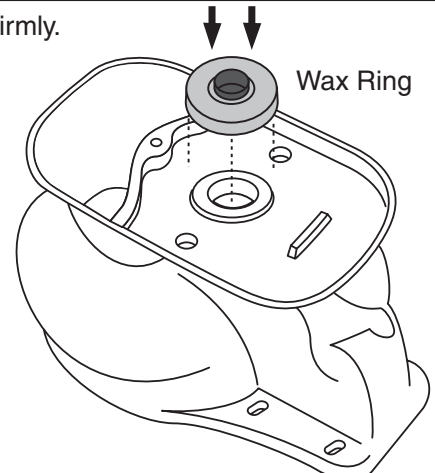
Depending upon your plumbing and venting conditions, the flow from the toilet in a back-to-back installation may create a vacuum on the system and draw water from the opposing bowl. The National Standards Plumbing Code prohibits the use of a cross fitting for drainage as throw over is possible. The code does approve a directional "Y" style fitting with proper venting to direct the water downward and away from the other toilet.

**1**



**2**

Press firmly.



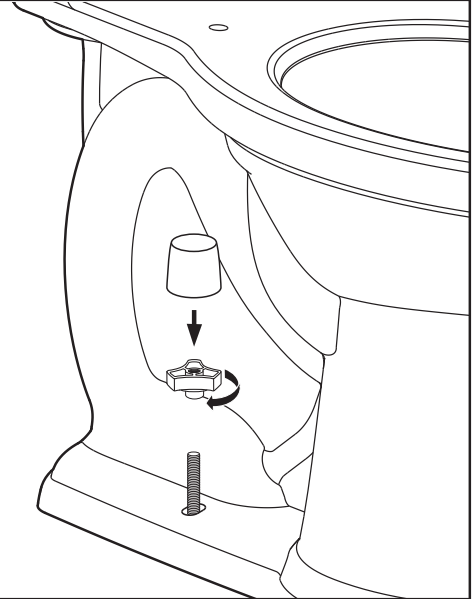
3

Apply weight evenly. Do not move after placement. Water tight seal may break.



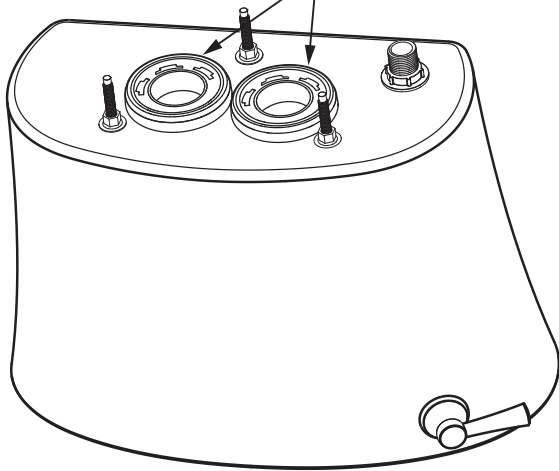
4

**!** Hand tighten only. Do not overtighten.



5

GASKETS



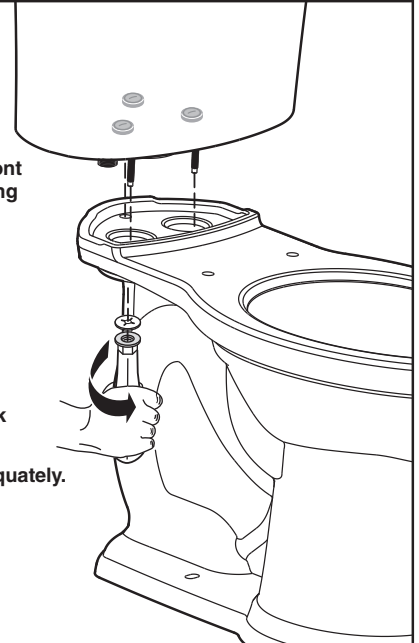
Confirm gaskets are fully seated on tank.

6

Tighten handles alternately until the tank contacts the front and back of the bowl achieving china-to-china contact.

NOTES:

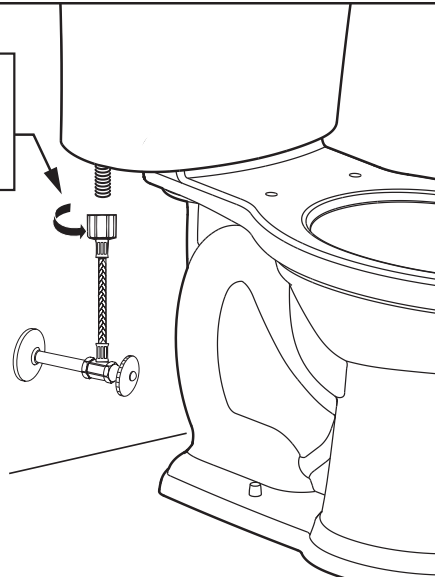
- a) To ease installation, push down on the top of the tank while tightening handles.
- b) Tighten all three bolts adequately.



7

**A** Connect water supply line. (Sold separately) Hand tighten nut.

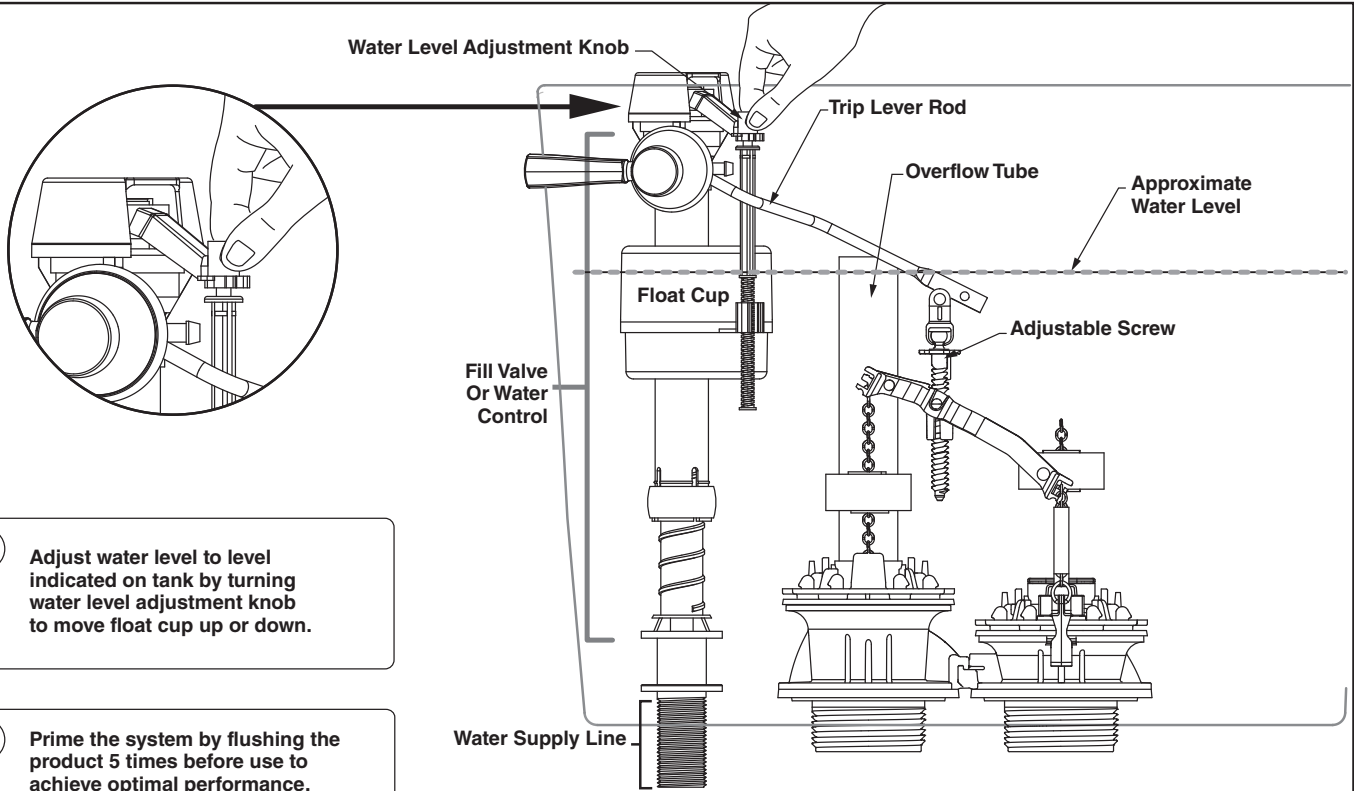
**B** Turn on water supply.



**WARNING:** Overtightening of water supply line nuts could result in breakage and potential flooding. If the connection leaks after hand tightening, replace the supply line. Do not use any type of sealant on the water supply connection. Use of plumber's putty, pipe dope, or any other type of sealant will void the warranty.



**WARNING:** Do not use plumber's putty, pipe dope, or any other sealant on the water supply connection to this tank. If the connection leaks after hand tightening, replace the supply line. If the connection continues to leak with the new supply line, replace the fill valve. **Warranty is void if any type of sealant is used on the water supply connection.**

**8**

**A** Adjust water level to level indicated on tank by turning water level adjustment knob to move float cup up or down.

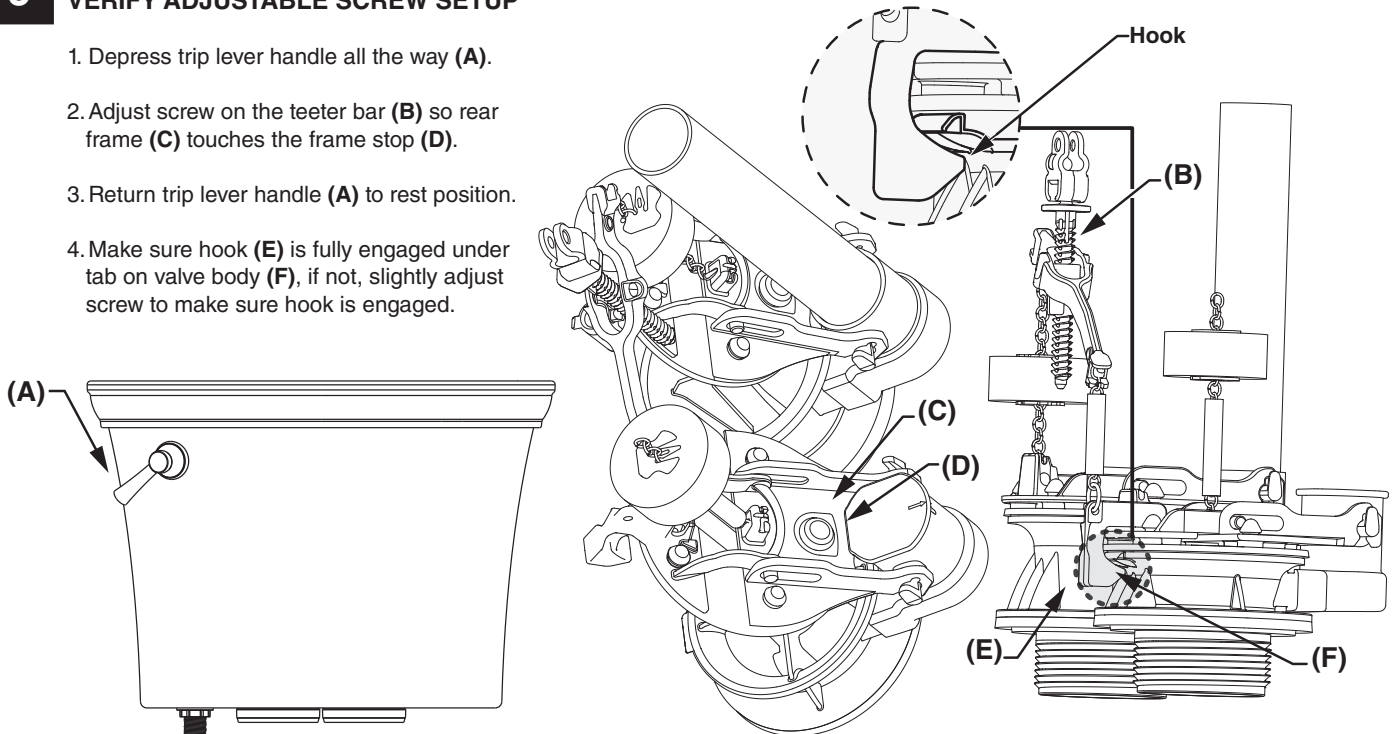
**B** Prime the system by flushing the product 5 times before use to achieve optimal performance.

**C** **PROPER FLUSHING METHOD:** Be sure to fully depress the trip lever on each flush. Do not hold the trip lever down for extended periods of time as this could allow air to enter the system which will slightly degrade performance for a few flushes.

**9**

### VERIFY ADJUSTABLE SCREW SETUP

1. Depress trip lever handle all the way **(A)**.
2. Adjust screw on the teeter bar **(B)** so rear frame **(C)** touches the frame stop **(D)**.
3. Return trip lever handle **(A)** to rest position.
4. Make sure hook **(E)** is fully engaged under tab on valve body **(F)**, if not, slightly adjust screw to make sure hook is engaged.



**TROUBLESHOOTING GUIDE - See Step 8-9 For Diagram**

Problem	Possible Cause	Corrective Action
Does not flush	a. Water supply valve closed. b. Supply line blocked. c. Flush valve chain too loose or disconnected. d. Sand or debris lodged in water control.	a. Open valve and allow water to fill tank. b. Shut off water supply, disconnect supply line and inspect all gaskets and washers. Reassemble. c. Readjust chain length as required. d. Shut off water supply. Remove cap and clean as per Fluidmaster maintenance instructions at: <a href="http://www.americanstandard-us.com/news/fluidmasterguide.pdf">www.americanstandard-us.com/news/fluidmasterguide.pdf</a>
Poor or sluggish flush	a. Bowl water level too low. b. Supply valve partly closed. c. Partially clogged trapway and/or drain pipe and/or vent. d. Supply pressure too low. e. Tank not installed tightly on bowl. f. Product has air stuck in waterways. g. Incorrect tank water level  h. Trip lever not opening jet flapper to stop i. Air leak j. Trip lever not returning to original position k. Loss of prime due to depressing on the trip lever too long	a. Check that refill tube is connected to water control and inserted into overflow tube without being kinked or damaged. b. Open supply valve fully. Be sure that proper supply tube size is used. c. Remove obstruction. Consult a plumber if necessary. d. Normal supply pressure must be at least 20 psi. e. Tighten bolts as shown in Step 6 to make sure the tank is touching the piers of the bowl in the front and back of the product. f. Re-prime bowl by flushing 5 times in a row allowing the tank to refill each time to achieve optimal performance. g. Check water level in tank to make sure it is at the correct height listed inside the tank. Re-prime bowl by flushing 5 times in a row allowing the tank to refill each time to achieve optimal performance. h. Adjust settings according to adjustable screw setup in Step 9 i. Reset tank by shutting off water supply, disconnect supply line, remove tank mounting nuts, inspect all gaskets and reassemble j. Adjust trip lever nut by loosening the nut a quarter turn at a time clockwise (reverse thread) k. Do not depress trip lever longer than 2 seconds for optimal performance. Depressing trip lever longer will negatively affect the toilet performance by causing a loss of prime. Re-prime bowl by flushing 5 times in a row allowing the tank to refill each time to achieve optimal performance.
Toilet leaks	a. Poor supply line connection. b. Poor bowl to tank/floor connection. c. Cracked Bowl d. Loose tank nuts e. Loose flush valve mounting nuts f. Tank to Bowl gaskets defective g. Black rim flapper leaking. Inlet valve will periodically run and you will see water coming from port in to the bowl h. Red jet flapper leaking. Inlet valve will periodically run	a. Review Step 8 of installation procedure. b. Review Step 1 through 6 of installation procedure. c. Send new bowl / return d. Tighten nuts, reinstall e. Tighten nuts, reinstall f. Replace gaskets g. Clean debris from seal surface. Replace flapper seal as needed and adjust settings according to adjustable screw setup in Step 9.  h. Clean debris from seal surface. Replae flapper seal as needed and adjust settings according to adjustable screw setup in Step 9.
Toilet does not shut off	a. Flapper seal leaking or deformed. b. Sand or debris lodged in water control.  c. Flush valve chain too tight, holding flapper open.	a. Clean debris from seal surface. Replace flapper seal as needed. See web for more info. b. Shut off water supply. Remove cap and clean as per Fluidmaster maintenance instructions at: <a href="http://www.americanstandard-us.com/news/fluidmasterguide.pdf">www.americanstandard-us.com/news/fluidmasterguide.pdf</a> c. Adjust settings according to adjustable screw setup in Step 9.
Toilet bowl rocks after installation	a. Wax ring not fully compressed. b. Floor not level.	a. Retighten bowl-to-floor knobs. b. Use toilet shims and /or place a bead of caulk around the base of the toilet.

**Parts List can also be found under the tank lid.**

**• IMPORTANT:** American Standard does not recommend that the tank components be switched out with anything other than the furnished specified components as the performance could be affected. Any alterations made using anything other than the specified components could negatively impact the flush performance and will void the warranty.

<b>PARTS LIST</b> Parts are determined by toilet tank number which can be found marked inside tank. <b>NOTE:</b> "XXX" represents color or trim finish options. Specify when ordering. PL 7302153-100 Rev. C	PART NO.	DESCRIPTION
	7381422-100.0070A	Flush Valve Assembly Complete w/ Flappers, Teeter Bar & Gaskets
	7381125-400.0070A	Universal Inlet Valve Assembly
	7381424-100.0070A	Silicone Flapper
	7381423-100.0070A	Flapper Assembly w/Teeter Bar
	7381426-100.0070A	Tank To Bowl Gasket Kit w/ Nut & Washer
	7381251-200.XXX0A	EZ Install Bolt Cap Cover Kit
	7381446-200.0070A	EZ Install Handle Kit
	735203-410.XXX	Tank Cover
	7381459-200.XXX0A	Trip Lever

**CARE AND CLEANING**

When cleaning your toilet, wash it with mild, soapy water, rinse thoroughly with clear water and dry with a soft cloth.

**WARNING:** Do not use in-tank cleaners. These products can seriously corrode fittings in the tank. This damage can cause leakage and property damage. American Standard shall not be responsible or liable for any damage caused by the use of in-tank cleaners.

**In the United States:**

American Standard Brands  
 P.O. Box 6820  
 Piscataway, New Jersey 08855  
 Attention: Director of Customer Care  
 For residents of the United States, warranty information may also be obtained by calling the following toll free number: (800) 442-1902  
[www.americanstandard.com](http://www.americanstandard.com)

**In Canada:**

AS Canada, ULC  
 5900 Avebury Rd.  
 Mississauga, Ontario  
 Canada L5R 3M3  
 Toll Free: (800) 387-0369  
[www.americanstandard.ca](http://www.americanstandard.ca)

**In Mexico:**

American Standard B&K Mexico  
 S. de R.L. de C.V.  
 Via Morelos #330  
 Col. Santa Clara  
 Ecatepec 55540 Edo. Mexico  
 Toll Free: 01-800-839-1200  
[www.americanstandard.com.mx](http://www.americanstandard.com.mx)