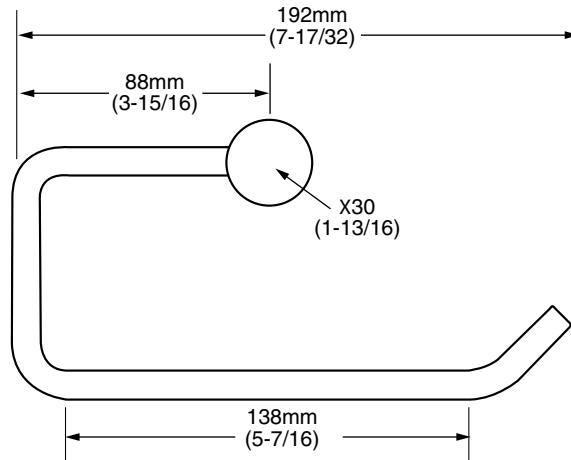


MODEL NUMBER:

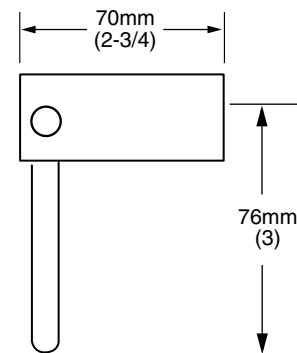
☐ 2064.230 Toilet Paper Holder

Available Finishes

.002	Polished Chrome
.075	Stainless Steel
.295	Satin Nickel



FRONT VIEW



SIDE VIEW

PRODUCT FEATURES:

Materials of Construction: Highest quality materials for durability & long life.

Concealed Mounting: No exposed set screws.

Easy to Install

SUGGESTED SPECIFICATION:

Toilet Paper Holder shall feature heavy-duty construction with tarnish - free PVD finish. Shall feature concealed mounting with no exposed set screws. Toilet Paper Holder shall be American Standard Model # 2064.230.