

# American Standard

# CERATHERM

## TWO-HANDLE THERMOSTAT WITH SEPARATE VOLUME CONTROL

### MODEL NUMBER:

- ☐ **2050.111 Two-Handle Thermostat**  
With separate volume control.

### NOTE:

- When used as a Bath/Shower:

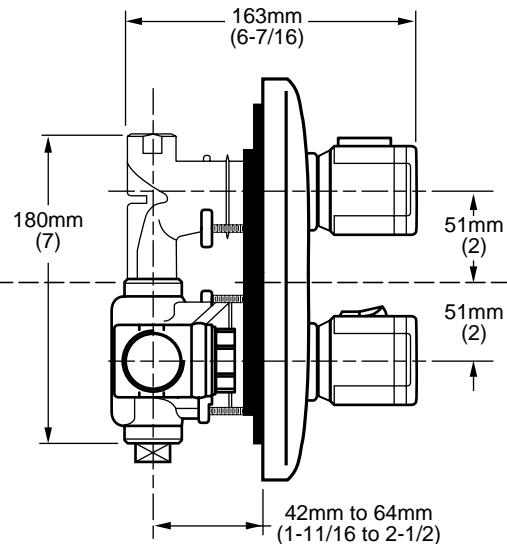
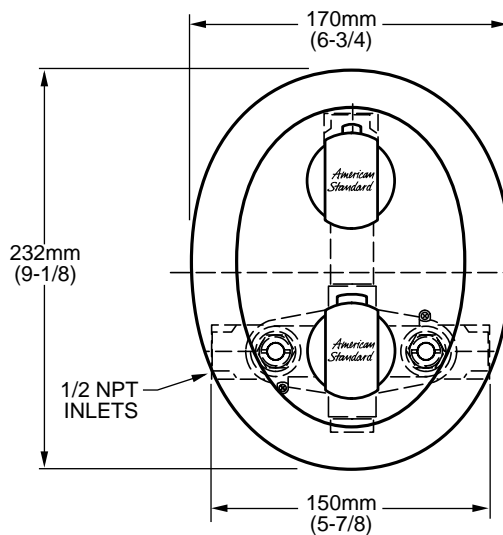
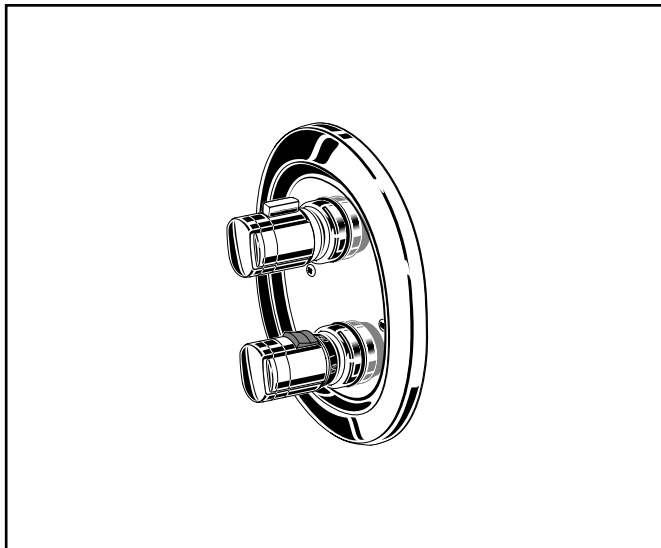
EITHER

- a separate diverter valve (such as 1660.430 or 1660.440)

OR

- a diverter tub spout (requires twin ell - Model #8888.120)

IS REQUIRED



### GENERAL DESCRIPTION:

Cast brass valve body, with built in check stops. The unit has two handles, one to set the desired temperature and one to function as an on/off, volume control for the upper outlet port. **(Do not remove lower port plug)**. The temperature is maintained by a wax element moving a shuttle valve between hot and cold. The volume is controlled by a ceramic disc valve cartridge. Ceratherm also features a maximum limit of 112 degrees Fahrenheit. Escutcheon plate is stamped brass. 1/2" NPT inlets and outlets.

### PRODUCT FEATURES:

**Brass Casting:** Highest quality faucet material for durability & long life.

**Wax Thermostatic Unit:** Permits shuttle valve to move between the hot and cold seat to maintain the pre-selected constant water temperature.

**Back to Back Capable:** Hot and cold can be reversed.

**Spring-Loaded Check Valves:** When the hot and cold water enters the fitting, both supplies pass through the spring-loaded check valves to prevent cross flow of hot and cold water. Integrated stop valves ensure easy cleaning and servicing.

**Adjustable Hot Limit Safety Stop:** Limits the amount of hot water allowed to mix with cold. Reduces the risk of accidental scalding. Maximum water temperature limit may be reduced to 104 or 109 degrees Fahrenheit.

### SUGGESTED SPECIFICATION:

Two handle Thermostat shall feature a cast brass valve body. Thermostat shall be a wax element shuttle valve. Shall also feature ceramic disc valving, 1/2" NPT inlets and outlets. Fitting shall be American Standard Model # 2050.111.\_\_\_\_.

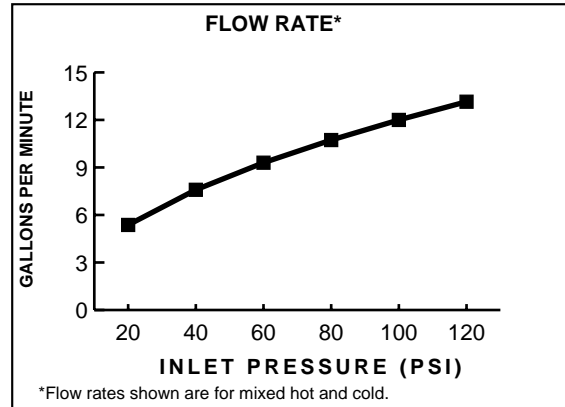


**TWO HANDLE THERMOSTAT  
WITH SEPARATE VOLUME CONTROL**

**CODES AND STANDARDS**

These products meet or exceed the following codes and standards:

- ASSE 1016**
- ASME A112.18.1M**
- CSA B125**



Product Number	Description	Finish Options			
		Polished Chrome	PVD Polished Brass	PVD Satin	PChrome w/Brass (PVD) Mixage
		002	099	295	299
2050.111*	Two-handle thermostat with separate volume control.				

**\*NOTE:** When used as a Bath/Shower a separate diverter valve is required (such as 1660.430 or 1660.440).  
 • Requires twin ell ( Model #8888.120 - must be ordered separately) for use with diverter spouts.