

MODEL NUMBER:

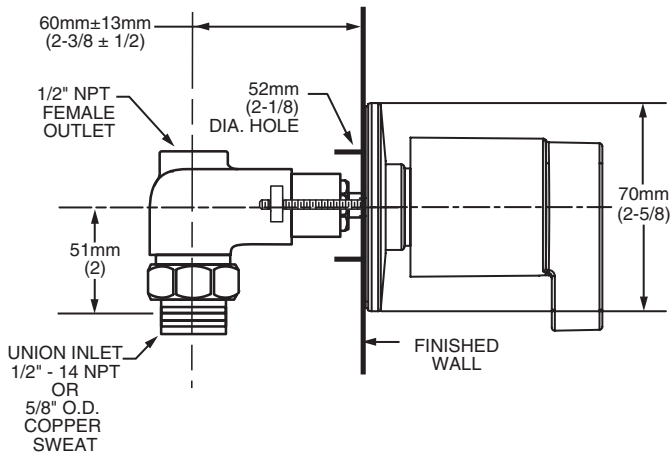
TRIM KITS:

- ☐ **T506.700 On/Off & Volume Control Valve Trim**
Valve Trim ONLY. With Lever handle. LESS Valve.

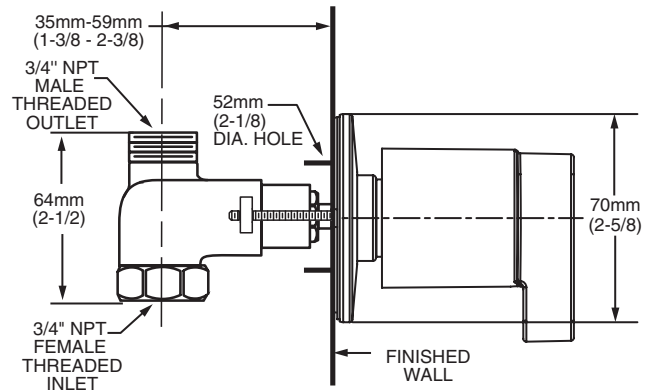
ROUGH VALVE BODIES:

- ☐ **R701 On/Off & Volume Control Valve Rough**
1/2" inlet/outlet. Less handle.
- ☐ **R711 On/Off & Volume Control Valve Rough**
3/4" inlet/outlet. Less handle.

Model R701
1/2" NPT



Model R711
3/4" NPT



GENERAL DESCRIPTION:

Cast brass valve body. Amarelis washerless ceramic disc valve cartridge. Choice of 1/2" or 3/4" NPT inlets and outlets. Trim is construction.

PRODUCT FEATURES:

Brass Construction: Durable - Excellent in high use applications. Ideal for prolonged contact with water.

Ceramic Disc Valve Cartridge: Assures a lifetime of drip-free performance.

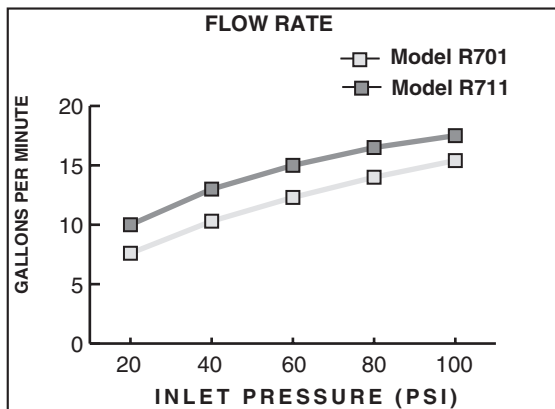
SUGGESTED SPECIFICATION:

In-wall single valve shall feature a cast brass valve body. Model R701 shall feature combination 1/2" NPT threaded and direct sweat inlets. 1/2" NPT female outlet. Model R711 shall feature 3/4" female inlet. 3/4" male outlet. Shall also feature 1/4 turn washerless ceramic disc valve cartridges. Trim shall be constructed of brass. Fitting shall be American Standard Model # T506.700.____ (Trim) and R7_1 (Rough Valve Body).

CODES AND STANDARDS

These products meet or exceed the following codes and standards:

ASME A112.18.1
CSA B 125



TRIM KITS**	Product Number	Description	Finish Options	
			Polished Chrome	PVD Stainless Steel
			002	075
	T506.700	On/Off & Volume Control Valve Trim.		

ROUGH VALVE BODIES	Product Number	Description
	R701	In-wall single valve. 1/2" inlet/outlet. Less handle.
	R711	In-wall single valve. 3/4" inlet/outlet. Less handle.

**** ROUGHS AND TRIMS MUST BE ORDERED SEPARATELY.**

Meets the American Disabilities Act Guidelines and **ANSI A117.1** Requirements for the physically challenged.