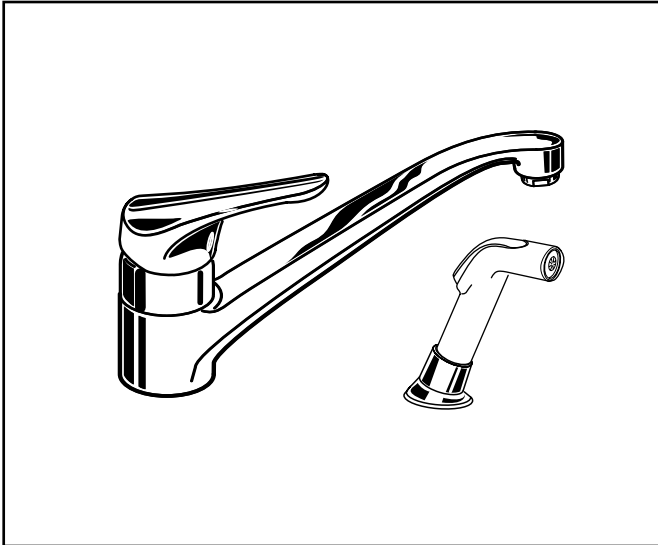


American Standard

CERAMIX

SINGLE CONTROL KITCHEN FAUCET WITH CAST BRASS SPOUT



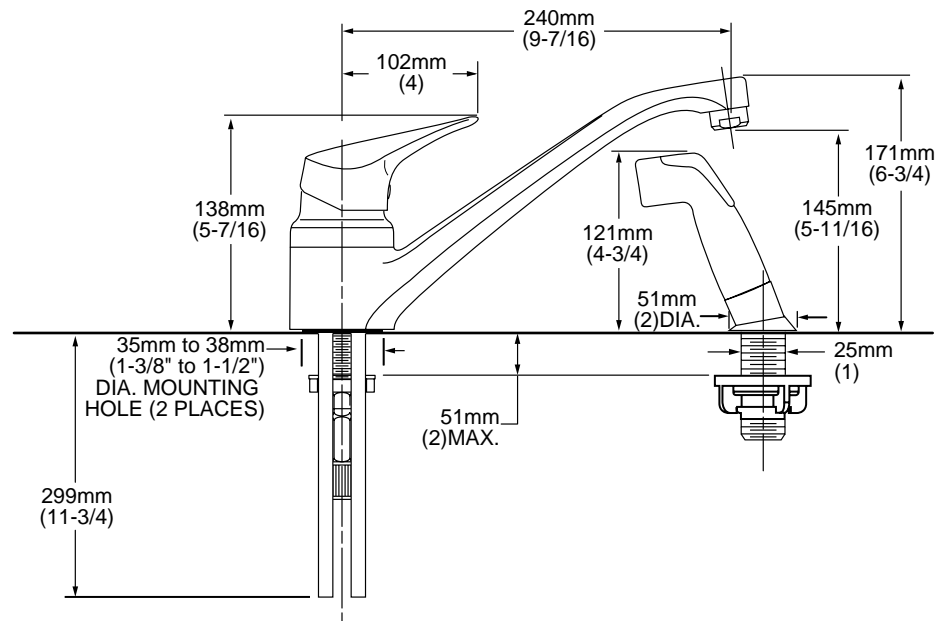
2021.641X Shown.

MODEL NUMBER:

- 2021.641X Kitchen Faucet
Handspray.
- 2021.600X Kitchen Faucet
Less handspray.

AVAILABLE ACCESSORIES:

- 2021.000P Escutcheon Plate Only



GENERAL DESCRIPTION:

Cast brass body and swing spout with all metal handle. Washerless 47mm ceramic disc valve cartridge. 3/8" O.D. copper supplies. 2.2gpm/8.3L/min. maximum flow.

PRODUCT FEATURES:

Brass and Copper Waterway: Highest quality faucet materials for durability and long life.

Memory Position Valving: Allows user to turn valve on and off at preferred temperature setting without readjusting handle position each time.

Ceramic Disc Valve Cartridge: Assures a lifetime of drip-free performance.

Low Lead: Meets NSF Standard 61/Section 9 & Prop 65 lead requirements.

Choice of Finishes: Choice of Polished Chrome, White, Bone or Satin.

SUGGESTED SPECIFICATION:

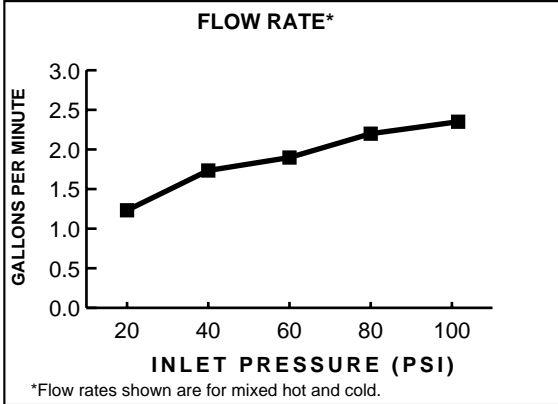
Single control kitchen fitting shall feature a cast brass body, cast brass swing spout and all metal handle. Shall also feature washerless ceramic disc valve cartridge. Fitting shall be American Standard Model # 2021.____.____.

SINGLE CONTROL KITCHEN FAUCET WITH CAST BRASS SPOUT


CODES AND STANDARDS

These products meet or exceed the following codes and standards:

- ANSI A117.1**
- ASME A112.18.1M**
- CSA B 125**



Product Number	Description	Finish Options			
		Polished Chrome	White	Bone	PVD Satin
		002	020	021	295
2021.641X	Kitchen faucet. 3/8" copper inlets. Handspray. Cast brass spout.				
2021.600X	Kitchen faucet. 3/8" copper inlets. Less handspray. Cast brass spout.				
2021.000P	Escutcheon plate only.				

 Meets the American Disabilities Act Guidelines and **ANSI A117.1** Requirements for the physically challenged.