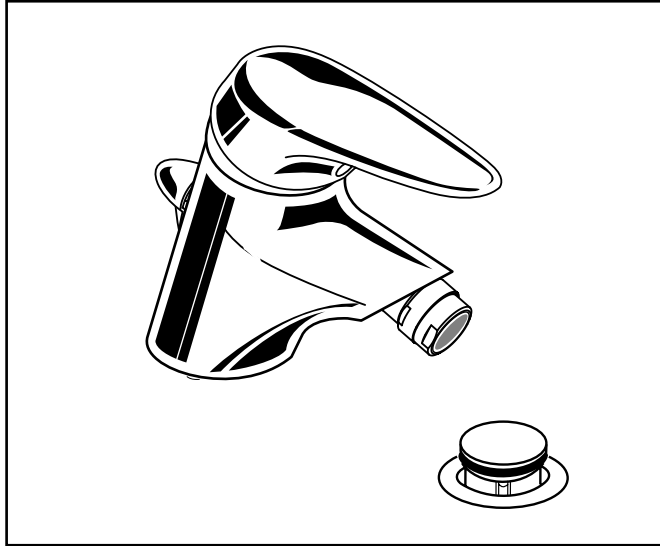


*American Standard*

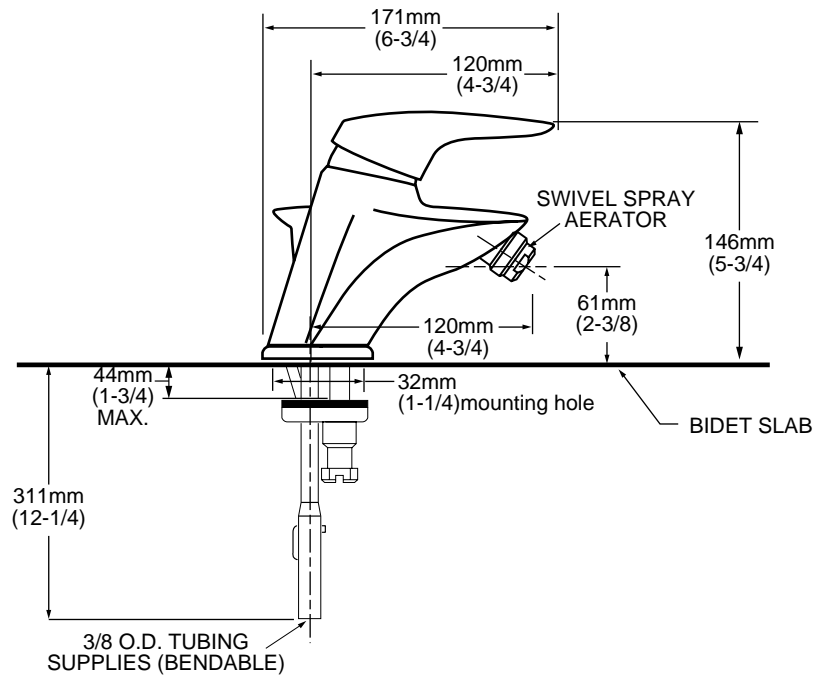
CERAMIX™

**SINGLE CONTROL BIDET FITTING**



**MODEL NUMBER:**

- ☐ **2000.011 Bidet Fitting**  
Pop-up drain. Swivel spray aerator.



**GENERAL DESCRIPTION:**

Cast brass body with all metal handle. Washerless 47mm ceramic disc valve cartridge. Equipped with a hot limit safety stop. 3/8" O.D. copper supplies.

**PRODUCT FEATURES:**

**Brass and Copper Waterway:** Highest quality faucet materials for durability and long life.

**Ceramic Disc Valve Cartridge:** Assures a lifetime of drip-free performance.

**Adjustable Hot Limit Safety Stop:** Limits the amount of hot water allowed to mix with cold. Reduces the risk of accidental scalding.

**Choice of Finishes:** Available in a wide range of durable finishes.

**SUGGESTED SPECIFICATION:**

Single control bidet fitting shall feature a cast brass body with all metal handle. Shall also feature washerless ceramic disc valve cartridge. Fitting shall be equipped with a hot limit safety stop. Fitting shall be American Standard Model # 2000.011.\_\_\_\_.

### CODES AND STANDARDS

These products meet or exceed the following codes and standards:

**ANSI A117.1**  
**ASME A112.18.1M**  
**CSA B125**

Product Number	Description	Finish Options						
		Polished Chrome	PVD B Nickel /Brass Mix	PVD B Nickel	PVD Polished Brass	PVD Satin	PVD Satin/ Brass Mix	Chrome/ PVD Brass Mix
		002	062	072	099	295	297	299
2000.011	Bidet fitting. Pop-up drain. Swivel spray aerator.			<b>N/A</b>				
2000.101P	Escutcheon Plate only.		<b>N/A</b>				<b>N/A</b>	<b>N/A</b>

**N/A = NOT AVAILABLE**



Meets the American Disabilities Act Guidelines and **ANSI A117.1** Requirements for the physically challenged.