

American Standard

# PORTSMOUTH™

## SINGLE CONTROL KITCHEN PULL-OUT FAUCET

Installation  
Instructions  
4285.100  
4285.100F15



Certified to comply with ANSI A112.18.1M

M965456 Rev. 1.2

### RECOMMENDED TOOLS



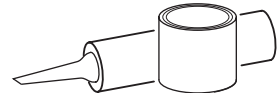
Regular Screwdriver



Phillips Screwdriver



Adjustable Wrench

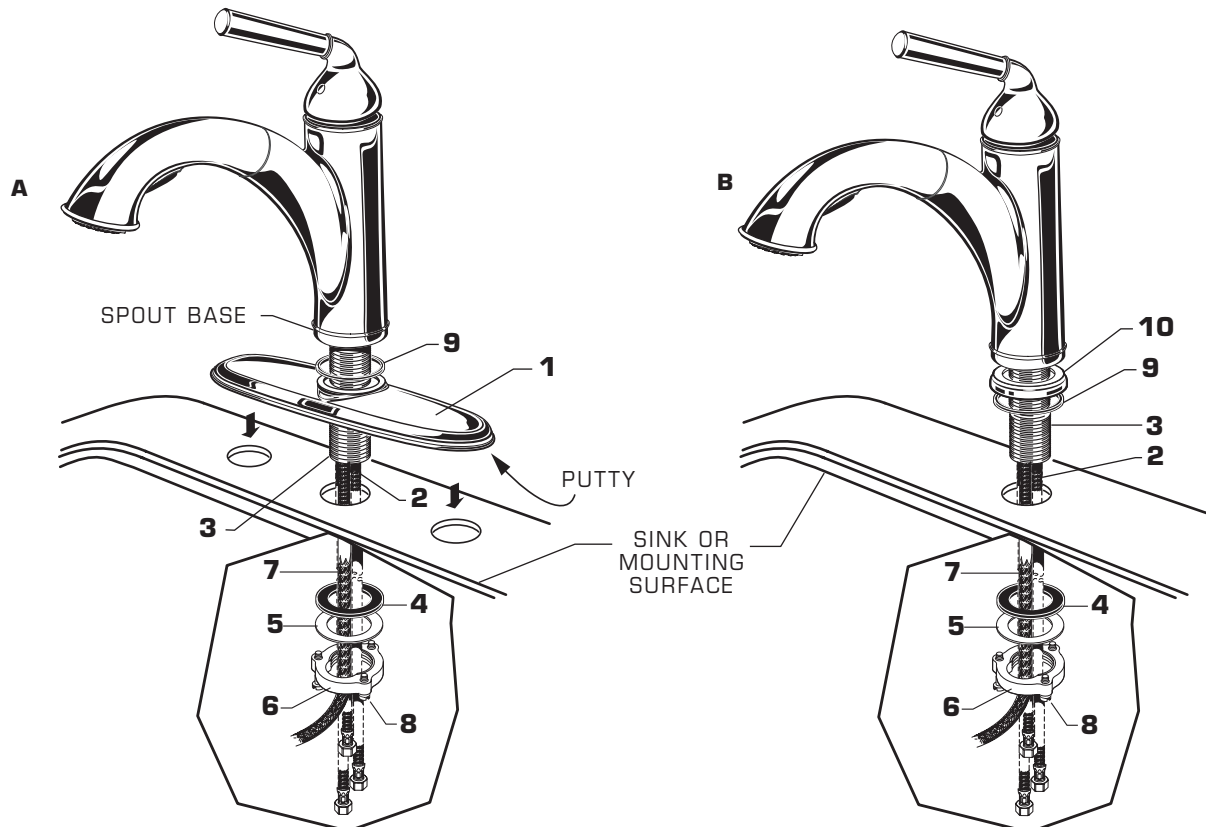


Plumbers' Putty or Caulking

## 1 INSTALL FAUCET WITH OR WITHOUT DECK ESCUTCHEON

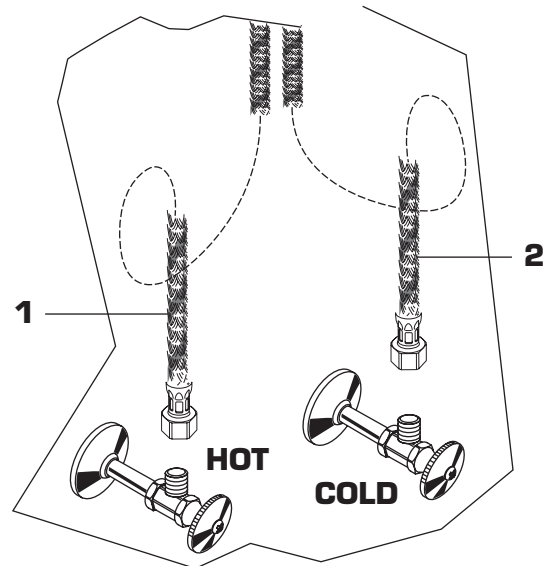
**CAUTION** Turn off water at main supply.

- Make certain the SEAL (9) is properly seated in recess of spout base.
- **(A) Installation with ESCUTCHEON (1).** Apply a bead of putty to bottom edge of ESCUTCHEON with PUTTY PLATE (1). Insert SUPPLY HOSES (2), SPRAY HOSE (7) and SHANK (3) through hole of ESCUTCHEON with PUTTY PLATE (1) and mounting surface. Follow mounting instructions below to secure faucet to mounting surface.
- **(B) Installation less ESCUTCHEON (1).** Insert all HOSES (2) and SHANK (3) through MOUNTING RING (10) and mounting surface. Do not use putty.
- Insert HOSES (2) through RUBBER WASHER (4), BRASS WASHER (5), and threaded LOCKNUT (6).
- Assemble RUBBER WASHER (4), BRASS WASHER (5), and threaded LOCKNUT (6) onto SHANK (3) from underside of sink or mounting surface. Hand tighten LOCKNUT (6).
- Use a screwdriver to tighten SCREWS (8) on LOCKNUT (6). Work your way around LOCKNUT (6), tightening the screws slightly each time until all are snug to ensure even pressure.



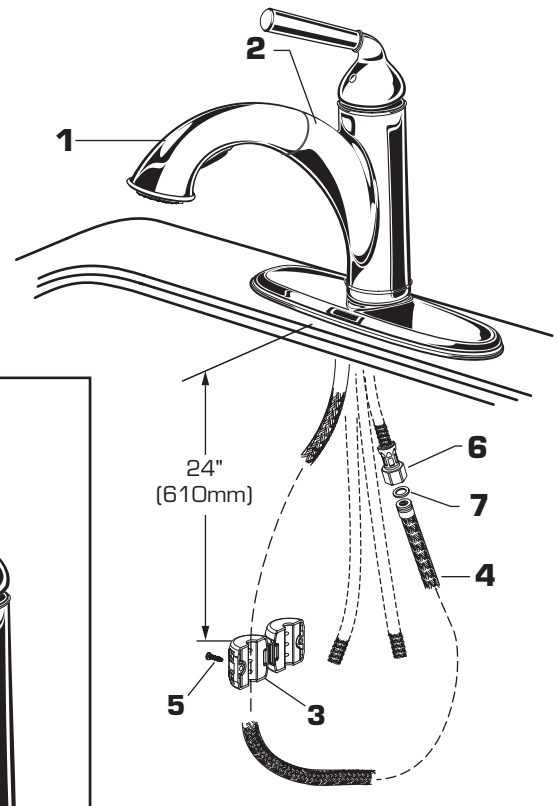
## 2 MAKE WATER SUPPLY CONNECTIONS

- Turn off hot and cold water supplies before beginning.
- Connect FLEXIBLE SUPPLIES (1, 2) directly to wall supplies. Connection on fitting supplies are 3/8" compression. Connect left supply (Marked with a Red Stripe) to Hot and right supply (Marked with Blue Stripe) to Cold wall supply. Use adjustable wrench to tighten connections. Do not over tighten.
- Faucet supplies are 24" long from faucet base.
- *Note: If additional supply length is required, installer must purchase additional parts separately.*
- *Important: If SUPPLY HOSES (1, 2) are too long, loop as illustrated to avoid kinking.*



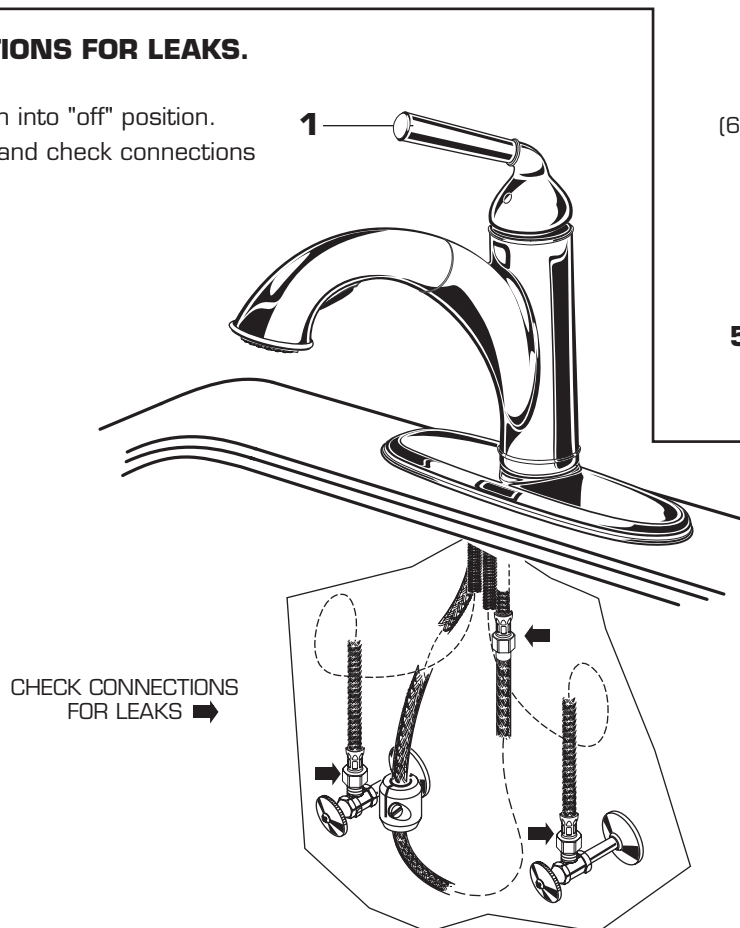
## 3 CONNECT SPRAY HOSE AND INSTALL WEIGHTS

- With PULL-OUT SPRAY (1) seated in FAUCET (2), install WEIGHTS (3) onto HOSE (4) using two SCREWS (5). Locate the WEIGHTS (3) two feet (2') from the underside of the sink deck. Tighten SCREWS (5) firmly.
- Make sure SEAL WASHER (7) is installed in COUPLING NUT (6). Connect threaded end of HOSE (4) to SPRAY HOSE COUPLING NUT (6) from fitting. Use wrench to tighten.



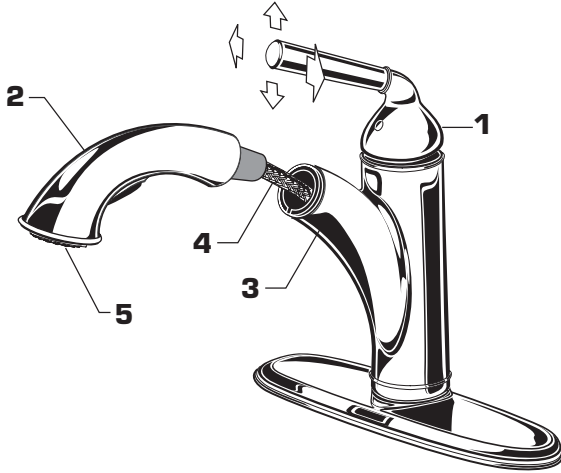
## 4 CHECK CONNECTIONS FOR LEAKS.

- Move HANDLE (1) down into "off" position.
- Turn on water supplies and check connections for leaks. ➡



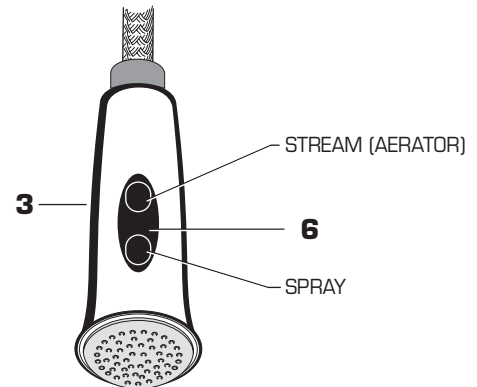
## 5 TEST INSTALLED FAUCET

- Move HANDLE (1) down into "off" position.
- With HANDLE (1) down in "off" position, pull HAND SPRAY (2) from SPOUT (3). SPRAY (HOSE (4)) should pull approximately 2 feet and direct open SPRAY END (5) into sink.
- Operate handle up and down, in COLD and HOT positions, to flush water lines thoroughly.
- Check HAND SPRAY (2) operation:



### SPRAY OPERATION

- With FAUCET on, press TOGGLE BUTTON (6) on SPRAY (3) to switch from stream to spray.

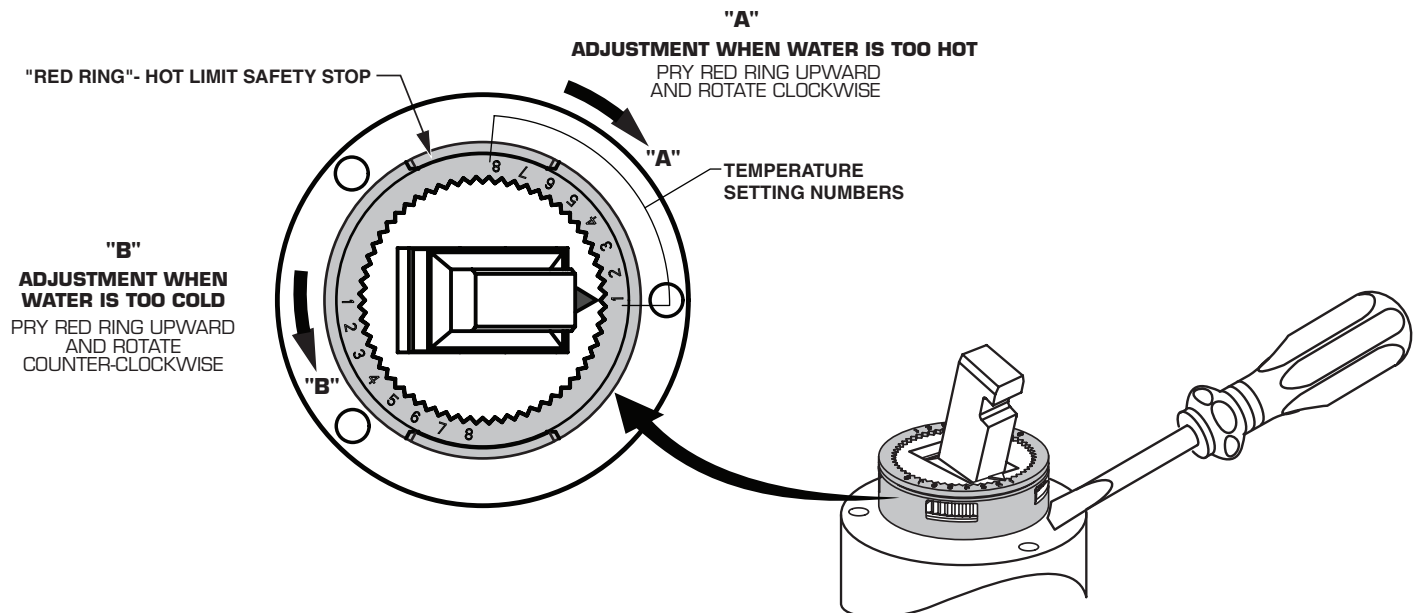


## 6 ADJUST HOT LIMIT STOP

### HOT LIMIT SAFETY STOP ADJUSTMENT

By restricting handle rotation and limiting the amount of hot water allowed to mix with the cold, the HOT LIMIT SAFETY STOP reduces risk of accidental scalding. To set the maximum hot water temperature of your faucets, all you need to do is adjust the setting on the HOT LIMIT SAFETY STOP.

- Use a flat blade screwdriver or your fingers to pull up and rotate red HOT LIMIT SAFETY STOP (1). Follow Step "A" or "B" to adjust min./max. discharge temperature. "1" being the hottest to "8" the coldest temperature setting. Factory set at "1".



# 7

## SERVICE

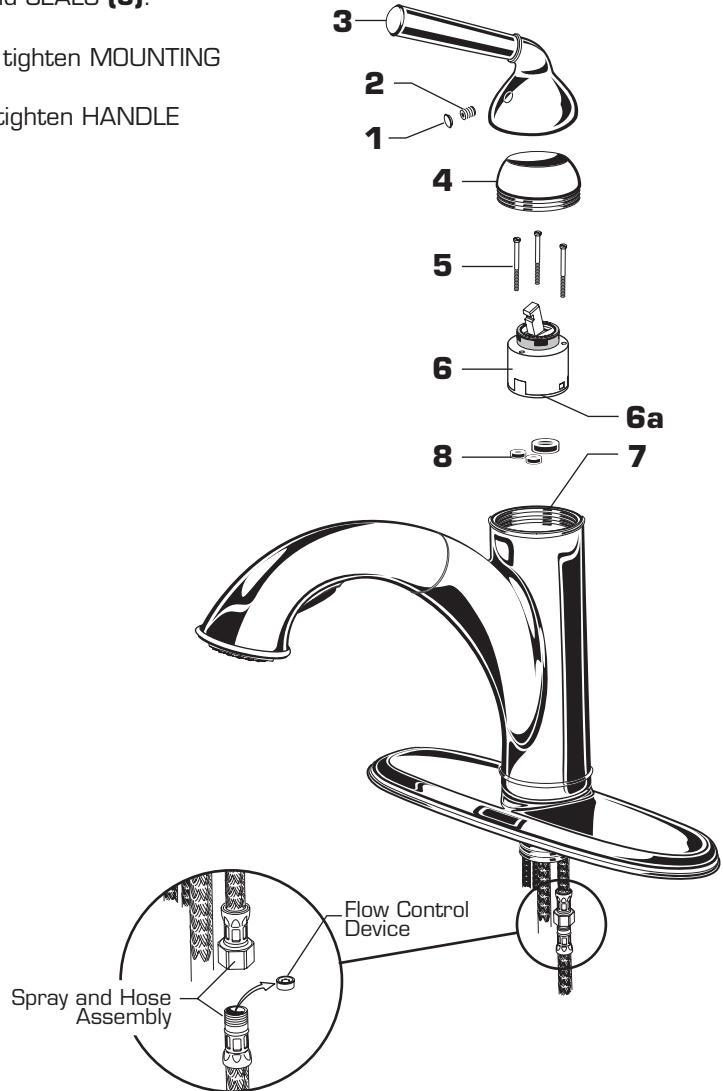
### ■ If Faucet Drips Proceed As Follows:

- Turn VALVE in OFF position.
- If faucet drips, operate HANDLE several times from OFF to ON position. Do not apply excessive force.
- FLOW CONTROL DEVICE may accumulate dirt. To remove the FLOW CONTROL DEVICE, unthread SPRAY AND HOSE ASSEMBLY and rinse clean FLOW CONTROL DEVICE.

### ■ Clogged CARTRIDGE outlets or inlets may cause reduced flow.

To clean, first turn off water supply then:

- Remove INDEX BUTTON (1), loosen HANDLE SCREW (2) and remove HANDLE (3).
  - Unthread ESCUTCHEON CAP (4). Unthread three MOUNTING SCREWS (5).
  - Lift CARTRIDGE (6) off MANIFOLD (7) and remove CARTRIDGE SEALS (8).
  - Clean MANIFOLD (7), CARTRIDGE (6) ports and SEALS (8).
  - Place SEALS (8) into CARTRIDGE PORTS (6a).
  - Place CARTRIDGE (6) onto MANIFOLD (7) and tighten MOUNTING SCREWS (5) alternately.
  - Replace ESCUTCHEON CAP (4), HANDLE (3), tighten HANDLE SCREW (2) and install INDEX BUTTON (1).
- Test fitting.



# 8

## CARE:

**DO: SIMPLY RINSE THE PRODUCT CLEAN WITH CLEAR WATER. DRY WITH A SOFT COTTON FLANNEL CLOTH.**  
**DO NOT: DO NOT CLEAN THE PRODUCT WITH SOAPS, ACID, POLISH, ABRASIVES, HARSH CLEANERS, OR A CLOTH WITH A COARSE SURFACE.**

*American Standard*

**PORTSMOUTH™**  
**SINGLE CONTROL KITCHEN**  
**PULL-OUT FAUCET**

MODEL NUMBERS

**4285.100**  
**4285.100F15**

**M962994-0070A**  
 BUTTON AND  
 SCREW KIT

**M964398-YYY0A**  
 HANDLE KIT

**M907302-YYY0A**  
 ESCUTCHEON CAP

**M918506-0070A**  
 CARTRIDGE SCREWS

**M951471-0070A**  
 CARTRIDGE

**M953666-YYY220A**  
**(2.2 GPM)**  
 SPRAY WITH HOSE

**M953666-YYY150A**  
**(1.5 GPM)**  
 SPRAY WITH HOSE

Replace the YYY with  
 Appropriate finish code

CHROME	002
STAINLESS STEEL	075
OIL RUBBED BRONZE	224

**M907989-YYY0A**  
 MOUNTING RING KIT

**A911897-0070A**  
 SEAL

**M964065-YYY0A**  
 ESCUTCHEON AND  
 PUTTY PLATE

**M962146-0070A**  
 MOUNTING KIT

**M964395-0070A**  
 WEIGHT



**HOT LINE FOR HELP**

For toll-free information and answers to your questions, call:  
 1-800-442-1902  
 Weekdays 8:00 a.m. to 6:00 p.m. EST  
 IN CANADA 1-800-387-0369 (TORONTO 1-905-306-1093)  
 Weekdays 8:00 a.m. to 7:00 p.m. EST  
 IN MEXICO 01-800-839-1200

Product names listed herein are trademarks of American Standard Inc.  
 © AS America, Inc. 2013