

American Pride - 526 Crest Road – Flat Rock, NC 28731  
828-697-8847 Fax 828-697-7094

### Product Data Specifications

HARMONY - Model # 9422WBR Recessed Mount Medicine Cabinet

**DOOR/MIRROR:** 16 1/4" x 22 1/4" x 1/8" Thick Mirror w/ 1/2" Bevel and Single Pass Polished Edges with taped on corner protectors  
High impact polystyrene door backing bonded to mirror with double faced tape and specially formulated bonding agent

**OVERALL SIZE:** 16 1/4" x 22 1/4" x 3-1/2"

**ROUGH OPENING:** 13 1/2" x 17 1/2" x 2-5/8"

**INSIDE DEPTH:** 3" **Overall Depth:** 3-1/2"(Top of Mirror to Back of Cabinet)

**SHELVES:** 3 fixed, injection molded polystyrene

**HINGE:** 2 Tri-brite galvanized split butt 2.5" hinges

**DOOR OPERATION:** One riveted stainless steel striker plate and magnetic catch closure mechanism

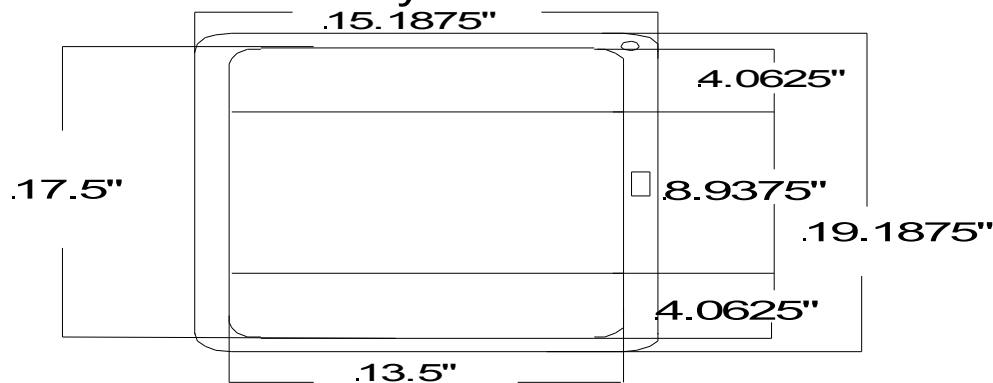
**MOUNTING HARDWARE:** 4 #8 x 1 1/2" Steel Tapping Screws

**REVERSIBLE:** Yes

**DOOR BACKING:** White High Impact Polystyrene .060 Thickness

**CABINET:** Injection Molded in White Recessed: 13.5" x 17.5"  
Typical Wall Thickness .085 Material: High Impact Polystyrene  
All Color Non-Toxic 1.5 Notched Izod (minimum)  
Specific Gravity 1.05, 73/ 28 F  
Heat Deflection Annealed, 264 psi 185  
Vicat Softening Point, F 202 C 94  
Tensile Strength at yield (2.0 in/min) psi 3400  
Ultimate Elongation % (0.2 in/min)(5mm/min) 35  
Flexular Modulus (0.05 in/min) psi 300,000 Hardness, Rockwell M 20  
Izod Impact, 1/4" – 8.4 mm @ 78F/23C 1.4 ft.-lb. 75 J/m

### 94 Series Plastic(Polystyrene) Recessed Only Medicine Cabinet



Plastic(Polystyrene) Cabinet  
Storage Depth(3")  
3 Fixed Polystyrene Shelves  
Covers Up 15.1875" x 19.1875"  
R.O.(13.5" x 17.5"x 2.625")