

INSTALLATION INSTRUCTIONS
FL2-3CCT



⚠ WARNING

These products may represent a possible shock or fire hazard if improperly installed or attached in any way. Products should be installed in accordance with these instructions, current electrical codes, and/or the current National Electric Code (NEC).

⚠ WARNING

This fixture requires a 120V power source. Ensure the voltage of the power source is compatible. Disconnect supply power at the source prior to attempting installation. Proper grounding is required for safety.

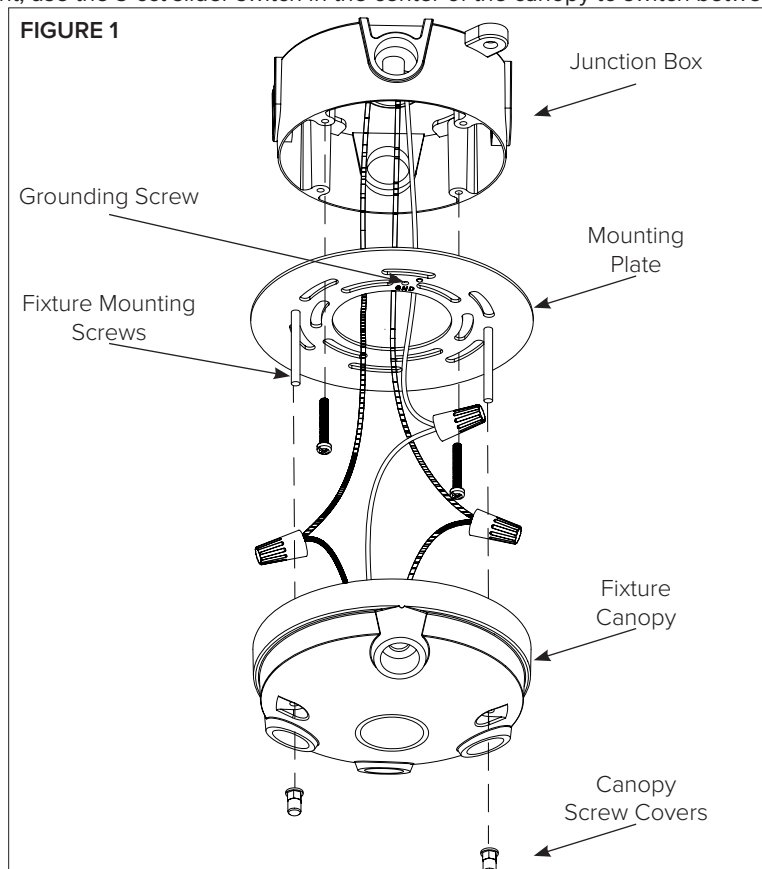
SAFETY INFORMATION

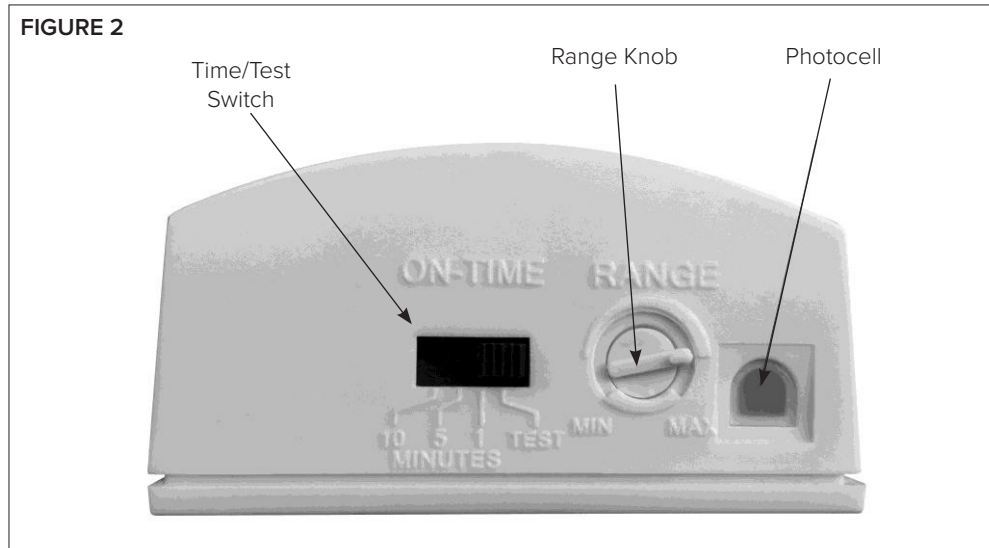
- Read all instructions before beginning; Save these instructions for future use.
- To reduce the risk of fire, electric shock, or injury to persons, pay close attention to this manual and stay within its guidelines when using this product.
- If you are unsure about your wiring, consult a qualified electrician or local electrical inspector, and check your local electrical code.
- There are no serviceable parts inside this fixture. Do not attempt to dismantle or service this fixture in any way.
- Use only on 120 volt 60Hz circuits.
- LEDs are not serviceable. Do not attempt to open the LED light engine.
- LEDs are bright. Do not look directly into fixture.
- Not intended for recess mounting in any type of installation.
- Use minimum 18 AWG coated wire for supply leads.
- If protective lens cover is broken, the fixture must be replaced. Do not use without a protective cover.

INSTALLATION (SEE FIGURE 1):

This fixture requires a 120V power source. Disconnect power at the source fuse or circuit breaker box before attempting installation. Ground the fixture to avoid potential electric shock and ensure reliable start. Double-check all connections to be sure they are tight and correct.

1. Turn off power at the source.
2. Screw the mounting plate onto the junction box (standard 4" octagonal or round). Ensure the grounding screw is facing outward and the two fixture mounting screws align horizontally with the desired orientation of the fixture's canopy.
3. Pull the wires through the center of the installed mounting plate, then affix the grounding wires (yellow/green) to the grounding screw on the mounting plate. Now, make supply wire connections to fixture (white to white, black to black).
4. Push the fixture on to the mounting plate, aligning the two fixture mounting screws with the two screw holes on the fixture's canopy.
5. Use the canopy screw covers to securely fasten the fixture mounting screws.
6. To ensure a weatherproof seal, use weatherproof silicone sealant around the edge of the canopy against the mounting surface.
7. Turn on power to test fixture operation.
8. To adjust color temperature of light, use the 3-cct slider switch in the center of the canopy to switch between 3000K, 4000K, and 5000K CCT.



INSTALLATION INSTRUCTIONS
FL2-3CCT**MOTION SENSOR OPERATION:**

See Figure 2 above for reference.

1. Switch the TIME/TEST switch in the TEST position to disable the photocell and allow light to come on during daylight hours.
2. Rotate the RANGE knob fully clockwise to maximum RANGE.
3. Aim the MOTION SENSOR HEAD level at least 10 Degrees downward and across the traffic pattern you want to detect.
4. Test Motion detection zone by walking across the pattern in the targeted coverage area. A red LED indicator light in the motion head will flash when motion is detected and the lights will come on for approximately (40 seconds). Move to a different spot in the area to be tested and stop all motion for about 8 seconds. The lights should turn off. Start walking again to see if your motion is detected in the new spot. Move further away to check the distance and adjust range to your desired location.
5. SET ON-TIME: When you are satisfied with the area of coverage, shift the TIME/TEST switch to set the ON time. The TIME setting switch will let you adjust the time that the light will stay on after motion is detected from approximately 1 to 10 minutes.
6. MANUAL OVERRIDE METHOD: To disable the motion and keep the light continuously on in the darkness, flip the wall switch off and back on within 3 seconds. If you leave the light on all night, it will automatically turn off at dawn and reset to Security Mode.

CARE AND MAINTENANCE:

1. For cleaning, use a soft, dry or damp cloth. Do not use harsh chemicals or abrasives.