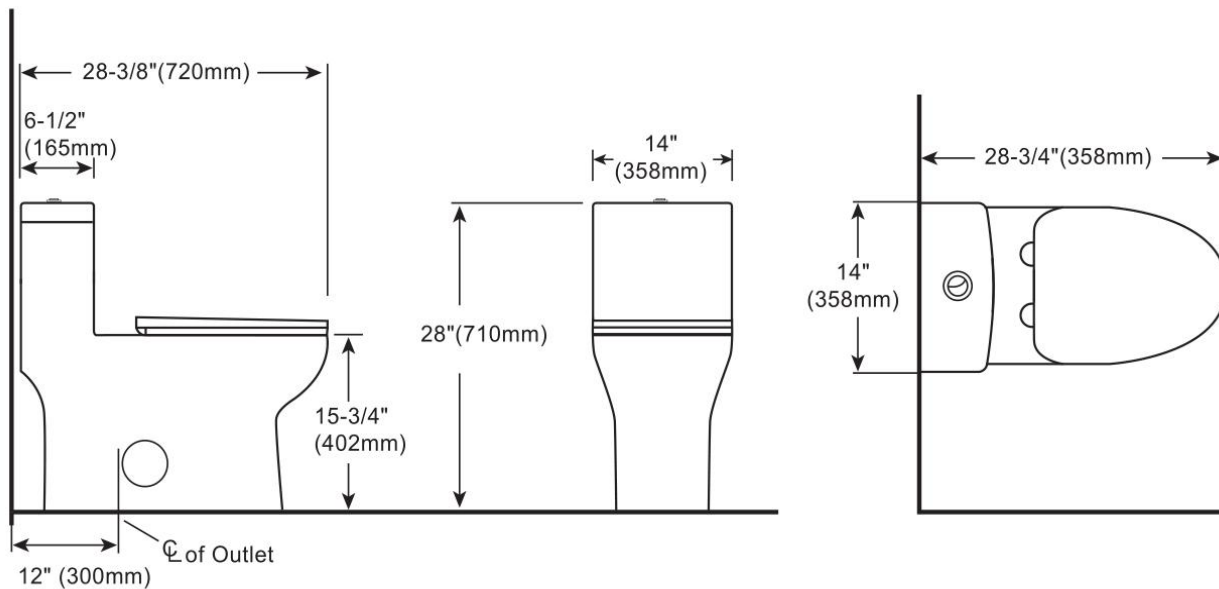


INSTALLATION SPECIFICATION

SKU	T276
Shape	Elongated
Material	Ceramic
Size	28"L*14"W*28"D
Flush	Top Flush, Siphonic
Trapway	S Trap
Rough in	12inches
Color	White
Ceramic Thickness	0.4-0.8"
Waste Size	2.2"
N.W.	92.8LBS
G.W.	100.5LBS
Certification	cupc& MAP1000g

All measurements are approximate. Measurements may vary 1/4"

Venezia 28"*14"*28" Ceramic Toilet



ALTAIR