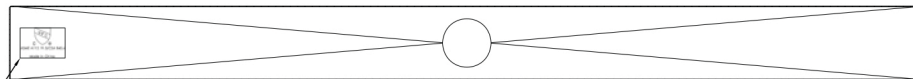
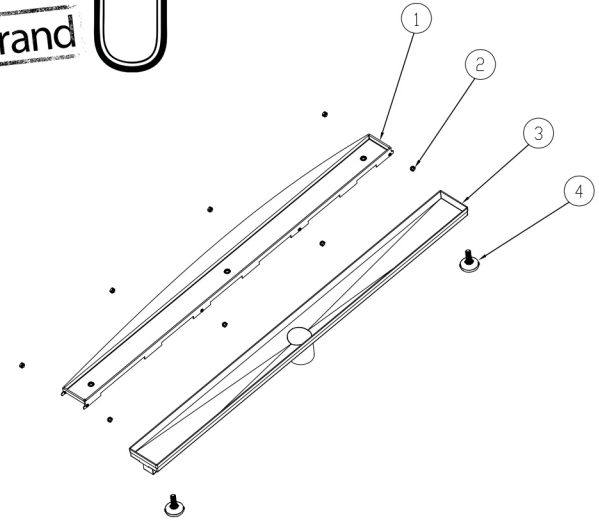
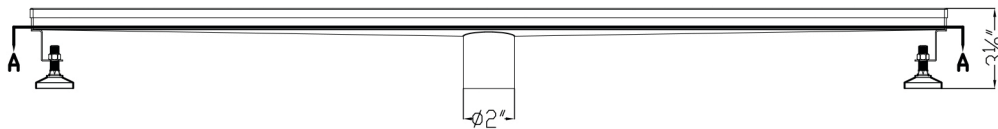
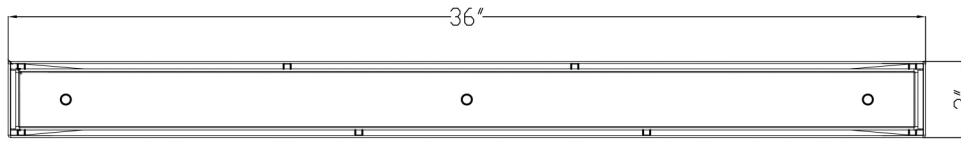
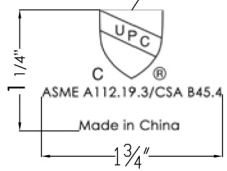


alpi

brand



SECTION A-A



NO	DESCRIPTION	QTY	MATERIAL	SIZE
1	Linear drain cover	1	SUS304	35 ³ / ₄ " X 2 ³ / ₄ " X 3 ³ / ₄ " (18G)
2	plastic connectors	8	PP	∅ 3/8 X 3/4
3	Linear drain stand	1	SUS304	36" X 3" X 3 ³ / ₈ " (18G)
4	mounting brackets	2	composite material	∅ 1 3/8 X 1 3/4