

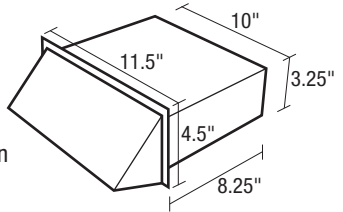


SPECIFICATIONS
WALL CAPS
 ACCESSORIES

WALL CAPS

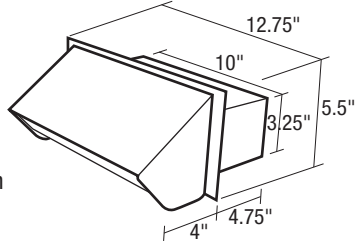
Model WCR10

For 3.25" x 10" duct
 Backdraft damper
 Galvanized steel construction



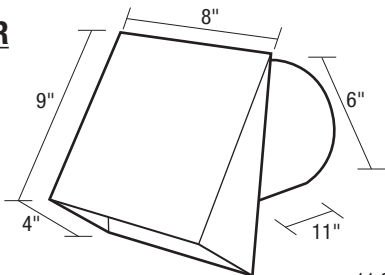
Model WC310B

For 3.25" x 10" duct
 Spring-loaded backdraft damper with bird screen
 Black painted steel construction



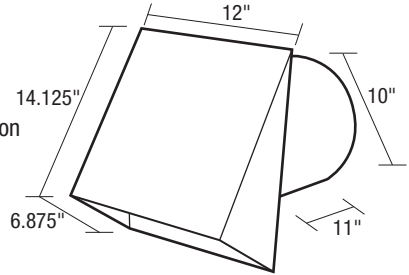
Model PWC6R

Fits 6" round duct
 Backdraft damper
 Galvanized steel construction



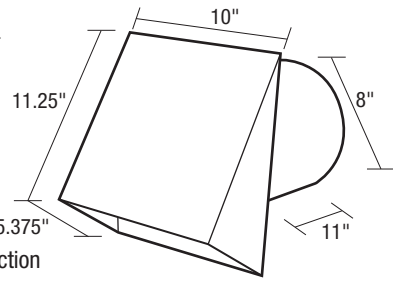
Model PWC10R

Fits 10" round duct
 Backdraft damper
 Galvanized steel construction



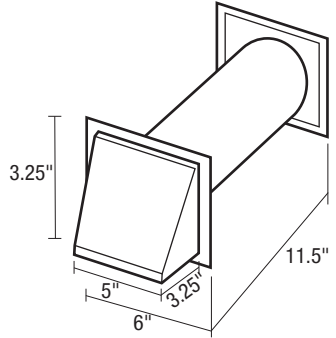
Model PWC8R

Fits 8" round duct
 Backdraft damper
 Galvanized steel construction



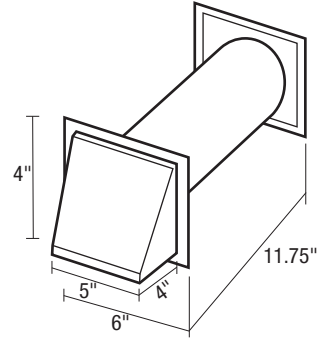
Model WC3NS

Fits 3" round duct
 Backdraft damper
 Aluminum construction



Model WC4NS

Fits 4" round duct
 Backdraft damper
 Aluminum construction



PROJECT							ARCHITECT			
LOCATION							ENGINEER			
CONTRACTOR							SUBMITTED BY			DATE
FAN NUMBER	MODEL NUMBER	CFM	IN W.C.	RPM	WATTS	AMPS	SONES	QTY	OPTIONAL EQUIPMENT & REMARKS	

U.S.: 820 Lincoln Avenue
 West Chester, Pennsylvania 19380-4466
 Tel: (610) 692-7400 • 877-304-3785
 Fax: (610) 696-8048

Canada: 8 Edvac Drive
 Brampton, Ontario L6S 5P2
 Tel: (905) 456-2033 • 800-250-8767
 Fax: (905) 456-1015

Specifications subject to change without notice.