

# IMPORTANT INSTRUCTIONS - OPERATING MANUAL

OZ Series



Range Hood

## READ AND SAVE THESE INSTRUCTIONS

READ CAREFULLY BEFORE ATTEMPTING TO ASSEMBLE, INSTALL, OPERATE OR MAINTAIN THE PRODUCT DESCRIBED. PROTECT YOURSELF AND OTHERS BY OBSERVING ALL SAFETY INFORMATION. FAILURE TO COMPLY WITH INSTRUCTIONS COULD RESULT IN PERSONAL INJURY AND/OR PROPERTY DAMAGE!

**RETAIN INSTRUCTIONS FOR FUTURE REFERENCE.**

## GENERAL SAFETY INFORMATION

When using electrical appliances, basic precautions should always be followed to reduce the risk of fire, electric shock and injury to person, including the following:

**WARNING: TO REDUCE THE RISK OF FIRE, ELECTRIC SHOCK AND INJURY TO PERSON, OBSERVE THE FOLLOWING:**

1. Read all instructions before installing or using range hood.
2. Use this unit only in the manner intended by the manufacturer. If you have questions, contact the manufacturer.
3. Before servicing or cleaning the unit, switch power off at service panel and lock the service disconnecting means to prevent power from being switched on accidentally. When the service disconnecting means cannot be locked, securely fasten a prominent warning device, such as a tag, to the service panel.
4. Installation work and electrical wiring must be done by qualified person(s) in accordance with all applicable codes and standards, including fire-related construction.
5. Sufficient air is needed for proper combustion and exhausting of gases through the flue (chimney) of fuel burning equipment to prevent back drafting. Follow the heating equipment manufacturer's guideline and safety standards such as those published by the National Fire Protection Association (NFPA) and the American Society for Heating, Refrigeration, and Air Conditioning Engineers (ASHRAE), and the local code authorities.

**CAUTION: FOR GENERAL VENTILATING USE ONLY. DO NOT USE TO EXHAUST HAZARDOUS OR EXPLOSIVE MATERIALS AND VAPORS.**

6. When cutting or drilling into wall or ceiling, do not damage electrical wiring and other hidden utilities.

**CAUTION: TO REDUCE THE RISK OF FIRE AND TO PROPERLY EXHAUST AIR, BE SURE TO DUCT AIR OUTSIDE - DO NOT VENT EXHAUST AIR INTO SPACES WITHIN WALLS OR CEILINGS OR INTO ATTICS, CRAWL SPACES, OR GARAGES.**

7. This unit must be grounded.
8. To avoid motor bearing damage and noisy and/or unbalanced impellers, keep drywall spray, construction dust, etc. off power unit.

**WARNING: TO REDUCE THE RISK OF FIRE, ELECTRIC SHOCK, DO NOT USE THIS FAN WITH ANY SOLID-STATE SPEED CONTROL DEVICE.**

**WARNING: TO REDUCE THE RISK OF A RANGE TOP GREASE FIRE:**

- a) Never leave surface units unattended at high settings. Boilovers cause smoking and greasy spillovers that may ignite. Heat oils slowly on low or medium settings.
- b) Always turn hood ON when cooking at high heat or when flambéing food (ie. Crepes Suzette, Cherries Jubilee, Peppercorn Beef Flambé).
- c) Clean ventilating fans frequently. Grease should not be allowed to accumulate on fan filter.
- d) Use proper pan size. Always use cookware appropriate for the size of the surface element.

**WARNING: TO REDUCE THE RISK OF INJURY TO PERSONS IN THE EVENT OF A RANGE TOP GREASE FIRE, OBSERVE THE FOLLOWING:**

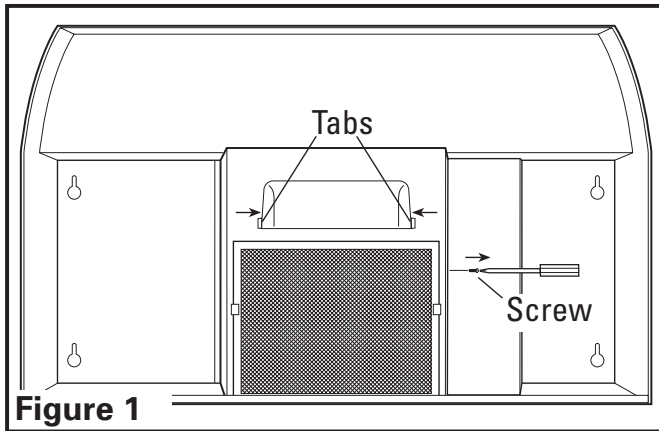
- a) SMOTHER FLAMES with a close-fitting lid, cookie sheet, or metal tray, then turn off burner. BE CAREFUL TO PREVENT BURNS. If the flames do not go out immediately, EVACUATE AND CALL THE FIRE DEPARTMENT.
- b) NEVER PICK UP A FLAMING PAN - You may be burned.
- c) DO NOT USE WATER, including wet dishcloths or towels - a violent steam explosion will result.
- d) Use an extinguisher ONLY if:
  - I. You know you have a Class ABC extinguisher, and you already know how to operate it.
  - II. The fire is small and contained in the area where it started.
  - III. The fire department is being called.
  - IV. You can fight the fire with your back to an exit.

**WARNING: TO REDUCE THE RISK OF FIRE, USE ONLY METAL DUCTWORK.**

## SAVE THESE INSTRUCTIONS

## INSTALLATION INSTRUCTIONS

- Unpack hood from the carton and confirm that all pieces are present. In addition to the range hood you should have:
  - 1 - Aluminum Grease Filter
  - 1 - 3-1/4" x 10" Damper
  - 3 - Damper Mounting Screws
  - 4 - #8 Mounting Screws
  - 1 - Instruction/Safety Sheet
- Lay the hood flat on a table so the underside is facing you. Use a piece of cardboard to avoid damaging the table or the hood.
- Remove wire compartment cover screw and then lamp cover by squeezing the sides inward, removing it from the tabs located on the hood (**Figure 1**).

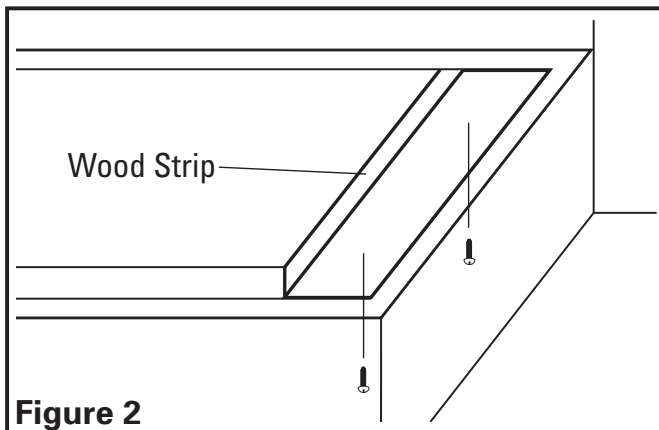


**Figure 1**

- Install a 60 watt maximum type A15 bulb and reinstall the lamp cover.

### Prepare the location for Hood Support

- If the hood will be installed under cabinets that have a recessed bottom, it will be necessary to install wood mounting strips (not included) so the hood will mount properly (**Figure 2**).



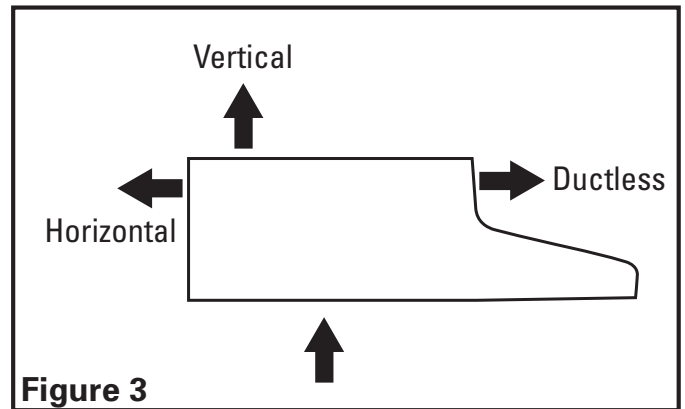
**Figure 2**

- The thickness of the strips should be the same as the recess of the cabinet and they should be approximately 2" wide.
- Install the strips using appropriate length wood screws (not included). Make sure the strips line up to the keyhole slots of the range hood.

### Prepare the Hood for Installation

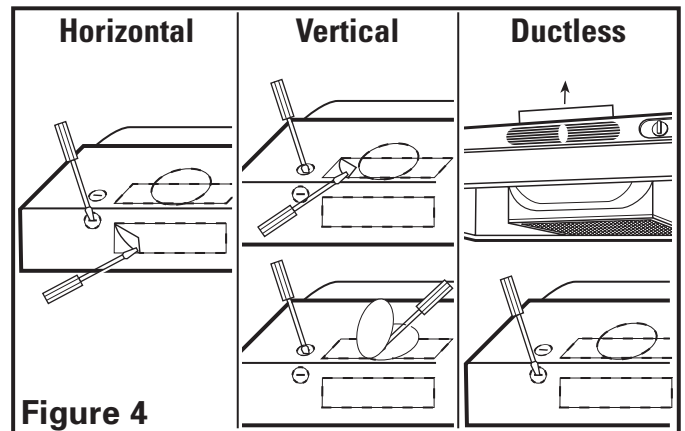
- Choose the type of ducting you will require. This model is equipped to vent either Vertically or Horizontally through a 3-1/4" x 10" duct. It can be modified to be ductless (re-circulates the air back into

the kitchen) with the addition of a model RF34 Charcoal Filter (not included) or vented through a 7" round duct with the addition of a model E-22a or RDC7 Duct Collar (not included) (**Figure 3**).



**Figure 3**

- Horizontal or Vertical** - Remove the square knockout by inserting a screw driver under the edge and break the tabs holding it in place. Peel back with pliers (**Figure 4**).



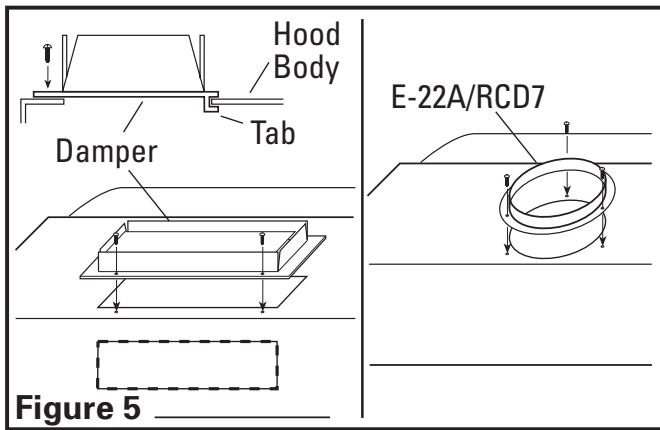
**Figure 4**

- Ductless** - Lift up and remove the hood's vent insert located behind the grill, exposing the front air slots. Do not use a screwdriver or any other object that could scratch the hood (**Figure 4**).
- 7" Round** - Remove the round knockout located on the top of the hood by inserting a screw driver under the edge and break the tabs holding it in place. Peel back with pliers (**Figure 4**).
- Determine where the electrical service will enter the hood and remove the appropriate electrical knockout by inserting a screw driver into the slot and rocking back and forth until the knockout comes loose (**Figure 4**).

**CAUTION: MAKE SURE POWER IS SWITCHED OFF AT SERVICE PANEL BEFORE STARTING INSTALLATION.**

### Installing the Range Hood

- Once the proper knockout(s) have been removed, either hold the hood up to the installation location and mark the locations of the ducting, electrical, and mounting holes or mark the locations by measurement.
- Cut appropriate holes for ducting connection and electrical connection in the wall/cabinet.
- For 3-1/4" x 10" vertical or horizontal ducting, install the damper assembly to the hood by sliding the tabbed section of the damper under the hood body and securing with the two provided screws. For 7" round ducting, secure either a model E-22a or RCD7 Duct Collar (not included) to the hood with the three provided screws (**Figure 5**).

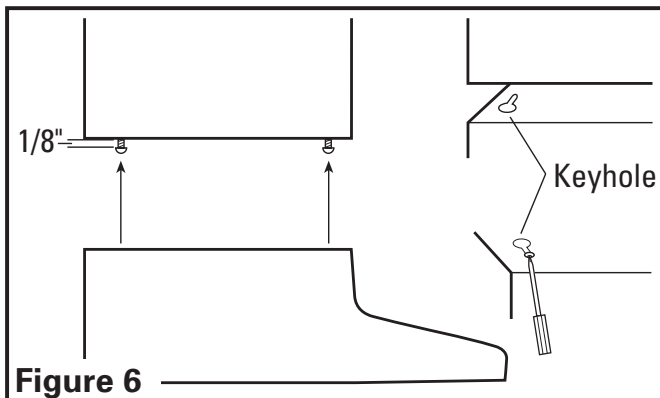


**Figure 5**

4. Install an approved wire connector to the electrical knockout of the hood and guide the electrical cable through the hood, allowing at least 6" of wire for connections and tighten.

**NOTE:** If installing into existing construction and you will not have access to the ductwork once the hood is in place, make ducting connections at this point. Refer to the Ducting Section for instructions.

5. Install the 4 mounting screw at the previously marked locations. Leave approximately 1/8" clearance. Slide the hood in place through the keyhole slots and align the front of the hood so that it is flush with the front of the cabinets. Tighten all screws securely (**Figure 6**).



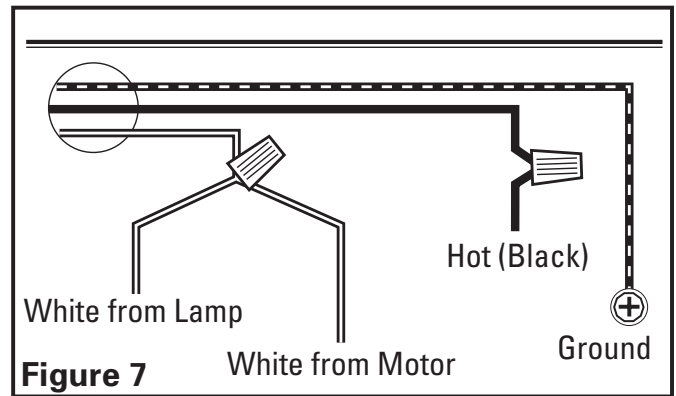
**Figure 6**

## Wiring

**CAUTION:** ALL ELECTRICAL CONNECTIONS MUST BE MADE IN ACCORDANCE WITH LOCAL CODES, ORDINANCES, OR NATIONAL ELECTRICAL CODE. IF YOU ARE UNFAMILIAR WITH METHODS OF INSTALLING ELECTRICAL WIRING, SECURE THE SERVICES OF A QUALIFIED ELECTRICIAN.

1. Connect the 2 loose White wires from the range hood to the White wire from the supply, and the loose Black wire from the range hood to the Black wire of the supply. Connect the ground wire (green or bare) from the supply to the green ground screw of the hood. Use approved methods for all connections (**Figure 7**).

**NOTE:** DO NOT disconnect any wiring that has already been crimped with a wire connector from the factory.



**Figure 7**

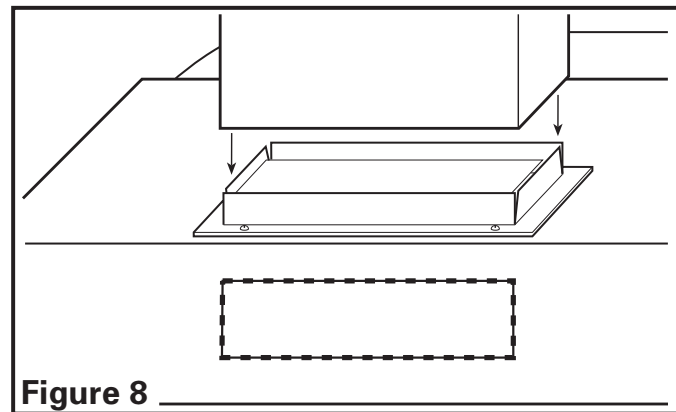
2. Replace the wire compartment cover and tighten screw. Make sure all wiring is securely contained within the wire compartment.

## Ducting

**CAUTION:** ALL DUCTING MUST COMPLY WITH LOCAL AND NATIONAL BUILDING CODES.

**WARNING:** TO REDUCE THE RISK OF FIRE, USE ONLY METAL DUCTWORK.

1. Connect the ducting to the hood's duct collar and damper. Secure in place using tape to seal all joints (**Figure 8**).

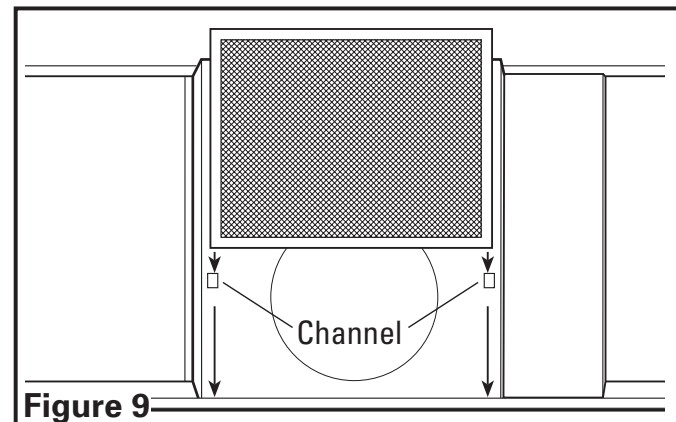


**Figure 8**

**CAUTION:** ALWAYS DUCT THE FAN TO THE OUTSIDE THROUGH A WALL OR ROOF CAP.

## Finishing the Installation

1. Install the filter by fitting the filter into the channel on the hood and sliding it back until it stops against the back of the hood (**Figure 9**).



**Figure 9**

- Turn switches to the "OFF" position and restore power. Test that the light and the fan are operating properly.
- If there is any vibration noise, check for the source and try to tighten fasteners or adjust the tape to make a tighter connection or seal.

## Operation

### Controls

Your Range Hood is equipped with two rotary switches with one controlling the lighting and the other controlling the exhaust fan. The light switch has three positions, HIGH (●), LOW (◐), and OFF (■). The fan switch is an infinite speed control that can be adjusted to your desired setting. Rotating the switch counter clockwise until you hear a click will turn the hood off.

### Maintenance

**CAUTION: MAKE SURE POWER IS SWITCHED OFF AT SERVICE PANEL BEFORE SERVICING THE UNIT.**

### Filters

- Grease Filter - Included with your range hood is an aluminum grease filter that should be washed in hot water with detergent

once a month. Reverse the instructions in the "Finishing the Installation" section of the instructions to remove filter. If the grease filter becomes damaged, replace with Air King Model GF-06 Grease Filter.

- Charcoal Odor Filter - If you have installed an optional charcoal odor filter or a combination grease/charcoal filter, they cannot be washed and must be discarded and replaced when they become noticeably dirty, have stopped filtering the odors, or at least once per year. Replace with Air King Model CF-06 Odor Filter.

### Cleaning

**CAUTION: DO NOT USE GASOLINE, BENZINE, THINNER, HARSH CLEANSERS, ETC., AS THEY MAY DAMAGE THE RANGE HOOD.**

- Clean your range hood with a mild detergent, such as dishwashing liquid, and dry with a soft cloth. **NEVER USE ANY ABRASIVE PADS OR SCOURING POWDERS.** Completely dry before restoring power. **NEVER IMMERSE ELECTRICAL PARTS IN WATER.**
- The fan assembly can be vacuumed when build up (dirt, lint, etc.) accumulates over time. The fan is permanently lubricated and does not require oiling.

## Troubleshooting Guide

Trouble	Probable Cause	Suggested Remedy
1. Hood does not operate when the switch is on.	1a. A fuse may be blown or a circuit tripped. 1b. Wiring is not connected properly.	1a. Replace fuse or reset circuit breaker. 1b. Turn off power to unit. Check that all wires are connected
2. Hood is operating, but air moves slower than normal.	2. Obstruction in the exhaust ducting.	2. Check for any obstructions in the ducting including filter.
3. Hood is making a rattling noise.	3a. Motor is loose. 3b. Duct connection is loose.	3a. Turn off power to unit. Remove filter, check that all screws are fully tightened. 3b. Turn off power to unit. Check that duct connection is tight.

## LIMITED WARRANTY

All products manufactured by Air King Limited are warranted for one year from the date of purchase against defects in workmanship and/or material. In addition, all ventilating/exhaust fans, heaters, combination fan lights and/or heaters, and range hoods are guaranteed for five years from the date of purchase against defects in workmanship and/or material.

This warranty does not cover any labor or shipping costs or the cost of replacement components as part of routine maintenance such as: range hood grease filters, charcoal filters or combination charcoal/grease filters; replacement light bulbs in range hoods or bathroom fan/light/bulb heater combinations. As well, any damage or failure caused by abuse, misuse, abnormal usage, faulty installation, or improper maintenance will not be covered by this warranty.

In order to make a claim on this warranty, you must be the original consumer of the product. You will be required to present to Air King the original bill of sale showing: date of purchase, place of purchase and model purchased. Failure to meet these requirements will void your warranty.

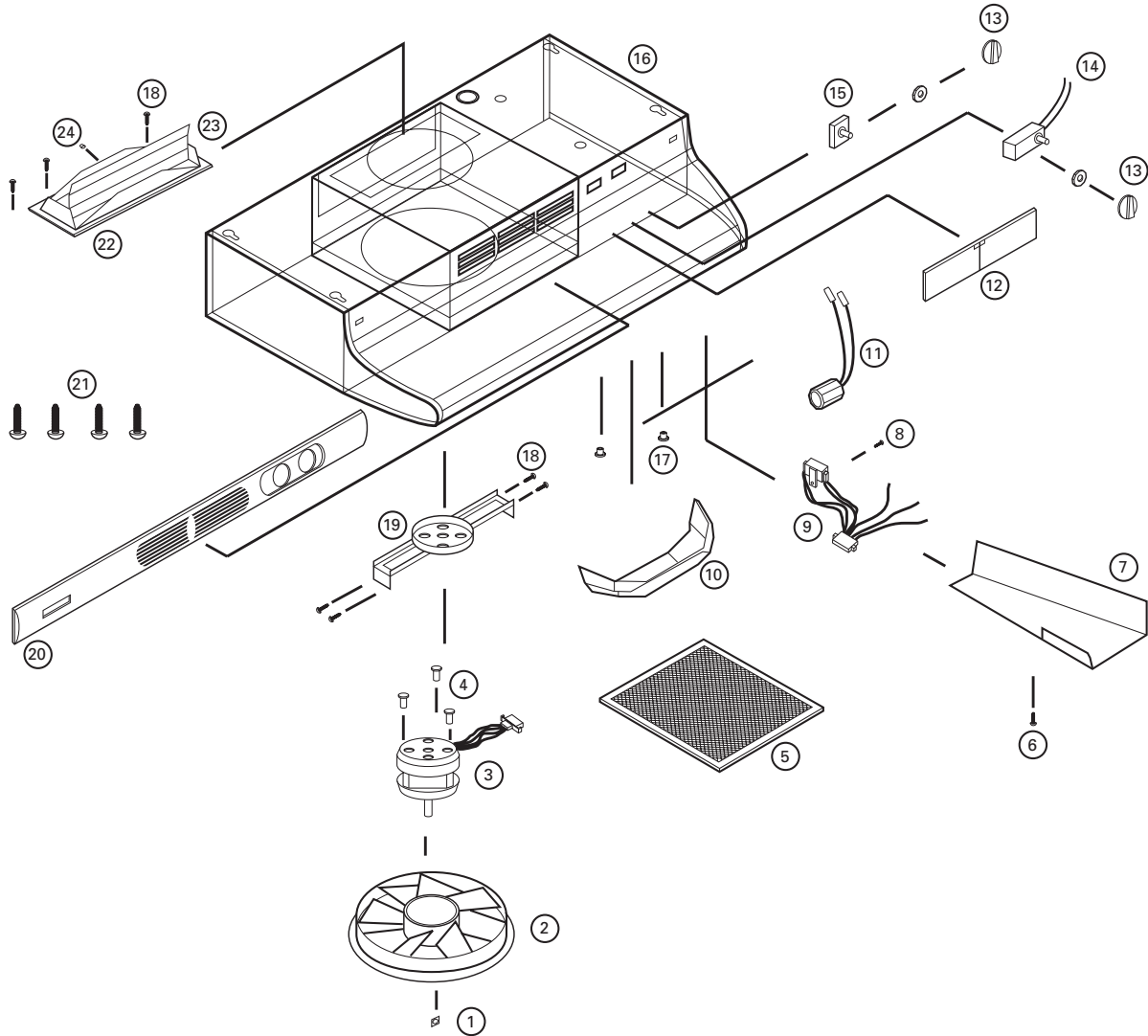
Air King will not be held responsible for any bodily injury or damages to personal property or real estate whether caused directly or indirectly by the product. Some states and provinces do not allow the exclusion or limitation of incidental or consequential damages and some states do not allow limitations on how long an implied warranty lasts, so these exclusions or limitations may not apply to you. This warranty gives you specific legal rights and you may have other rights which vary from state to state and province to province.

### FOR PARTS OR TECHNICAL ASSISTANCE

Please call: 1-800-465-7300, **MONDAY THROUGH FRIDAY, BETWEEN THE HOURS OF 8 AM AND 4:00 PM EST.**  
**PLEASE DO NOT RETURN PRODUCT TO PLACE OF PURCHASE.**

Reference the type and style of product (located on label inside of the product) when you call.  
For more information please visit our website: [www.airkinglimited.com](http://www.airkinglimited.com)

# REPLACEMENT PARTS DIAGRAM



#	Description	Replacement Part #
1	Blade Clip	5S4109001
2	Fan Blade	5S4109002
3	Motor	5S2109001
4	Motor Screw	5S4109003
5	Filter GF-06	5S4109004
6	#6 AB Screw	5S1999004
7	Wire Compartment Cover	5S4199005
8	#8 Ground Screw	5S1999018
9	Cap Harness	5S2109002
10	Light Lens	5S4199020
11	Lamp Holder	5S4199020
12	Vent Cover - White	5S1428003
	Biscuit	5S1428004
	Almond	5S1428005
	Black	5S1428006
13	Knob - White	5S1420003
	Biscuit	5S1420004
	Almond	5S1420005
	Black	5S1420006

#	Description	Replacement Part #
14	Speed Control	5S4199017
15	Light Switch	5S4199018
16	Wrapper -30"	5S1424030
	36"	5S1424040
17	Bushing	5S1999016
18	#8 B Screw	5S1999015
19	Motor Bracket	5S2109003
20	Grill - 30" White	5S1423003
	30" Biscuit	5S1423004
	30" Almond	5S1423005
	30" Black	5S1423006
	36" White	5S1423043
	36" Biscuit	5S1423044
	36" Almond	5S1423045
	36" Black	5S1423046
21	#8 Screw	5S1999017
22	Damper Frame	5S4199013
23	Damper	5S4199014
24	Damper Bumper	5S4199015

Installer: \_\_\_\_\_ Installation Date: \_\_\_\_\_

Place of Purchase: \_\_\_\_\_ Model Number: \_\_\_\_\_

# INSTRUCTIONS IMPORTANTES – MANUEL D'OPÉRATION

Séries OZ



Hotte de Cuisine

## LIRE ET CONSERVER CES INSTRUCTIONS

LIRE SOIGNEUSEMENT AVANT DE TENTER D'ASSEMBLER, INSTALLER, OPÉRER OU DE RÉPARER LE PRODUIT DÉCRIT. PROTÉGEZ VOUS-MÊME ET LES AUTRES EN OBSERVANT TOUTE L'INFORMATION DE SÉCURITÉ. FAILLIR À SE CONFORMER AUX INSTRUCTIONS PEUT RÉSULTER EN BLESSURE PERSONNELLE GRAVE ET/OU EN DOMMAGE À LA PROPRIÉTÉ.

**CONSERVER CES INSTRUCTIONS POUR RÉFÉRENCES FUTURES.**

## INSTRUCTIONS GÉNÉRALES DE SÉCURITÉ

Lors de l'utilisation d'appareils électriques, des précautions de base doivent toujours être suivies pour réduire les risques d'incendie, de choc électrique et de blessures corporelles, incluant ce qui suit:

**AVERTISSEMENT: POUR RÉDUIRE LES RISQUES D'INCENDIE, DE CHOC ÉLECTRIQUE OU DE BLESSURES PERSONNELLES OBSERVER CE QUI SUIT:**

1. Lire toutes les instructions avant d'installer ou d'utiliser la hotte de cuisine.
2. Utiliser cette unité seulement de la manière pour laquelle le fabricant l'a conçu. Si vous aviez des questions, veuillez contacter le fabricant.
3. Avant d'effectuer un service ou de nettoyer l'unité, couper l'alimentation électrique dans le panneau de distribution et verrouiller le dispositif de déconnexion afin d'éviter que l'alimentation ne revienne accidentellement. Lorsque le dispositif ne peut être verrouillé, fixer solidement un avis d'avertissement, tel qu'une étiquette, au panneau de distribution.
4. Le travail d'installation et le câblage électrique doivent être effectués par une(des) personne(s) qualifiée(s) en conformité avec tous les codes et normes applicables, incluant la construction relative aux incendies.
5. De l'air en quantité suffisante est requis pour la bonne combustion et l'évacuation de gaz par le conduit (cheminée) provenant d'équipement de brûlage au combustible pour prévenir un refoulement. Suivre les directives du fabricant de l'équipement de chauffage et les normes de sécurité telles que celles publiées par la National Fire Protection Association (NFPA) et de la American Society for Heating, Refrigeration, and Air Conditioning Engineers (ASHRAE), et de celles des autorités locales du code.

**AVERTISSEMENT: POUR USAGE DE VENTILATION GÉNÉRALE EXCLUSIVEMENT. NE PAS UTILISER POUR ÉVACUER DU MATÉRIEL ET DES VAPEURS DANGEREUSES OU EXPLOSIVES.**

6. Lors de coupe ou de perçage des murs et plafonds, ne pas endommager le filage électrique et autres utilités cachées.

**AVERTISSEMENT: POUR RÉDUIRE LES RISQUES D'INCENDIE ET POUR ÉVACUER L'AIR ADÉQUATEMENT, ASSUREZ-VOUS D'ÉVACUER L'AIR VERS L'EXTÉRIEUR – NE PAS ÉVACUER L'AIR DANS DES ESPACES DANS LES MURS, LES PLAFONDS OU LES GRENIERS, LES GALERIES TECHNIQUES OU LES GARAGES.**

7. Cette unité doit être mise à la terre.
8. Pour éviter des dommages aux roulements des moteurs et/ou des hélices bruyantes ou déséquilibrées, empêcher la poussière de cloison sèche, poussière de construction, etc., d'atteindre l'unité de puissance.

**AVERTISSEMENT: POUR RÉDUIRE LES RISQUES D'INCENDIE OU DE CHOC ÉLECTRIQUE, NE PAS UTILISER CE VENTILATEUR AVEC UN RÉGULATEUR DE VITESSE ÉLECTRONIQUE.**

**AVERTISSEMENT: POUR RÉDUIRE LES RISQUES D'INCENDIE DE GRAISSE SUR LE DESSUS DE LA CUISINIÈRE:**

- a) Ne jamais laisser les unités de surface à des degrés élevés sans surveillance. Les débordements par bouillonnement produisent de la fumée et des débordements graisseux qui peuvent s'enflammer. Chauffer les huiles lentement à des degrés faibles ou modérés.
- b) Toujours mettre la hotte EN MARCHE lors de cuisson à haute température ou lors de flambage de nourriture (par ex., des Crêpes Suzette, de Cerises Jubilées, steak flambé, etc.)
- c) Nettoyer les ventilateurs d'évacuation fréquemment. Aucune accumulation de graisse ne devrait être tolérée sur les filtres du ventilateur.
- d) Utiliser des poêlons de taille appropriée. Toujours utiliser les batteries de cuisine appropriées pour la taille de l'élément de surface.

**AVERTISSEMENT: POUR RÉDUIRE LES RISQUES DE BLESSURES PERSONNELLES DANS L'ÉVENTUALITÉ D'UN FEU DE GRAISSE SUR LA SURFACE DE CUISSON, SUIVRE LES INDICATIONS SUIVANTES:**

- a) ÉTOUFFER LES FLAMMES avec un couvercle bien ajusté, une tôle à biscuits, ou un cabaret de métal, puis, mettre le gril hors fonction. PRENEZ SOIN D'ÉVITER LES BRÛLURES. Si les flammes ne s'éteignent pas immédiatement, ÉVACUER ET APPELER LE SERVICE DES INCENDIES.
- b) NE JAMAIS SAISIR UN POÊLON EN FLAMME – vous pourriez être brûlé.
- c) NE PAS UTILISER DE L'EAU, incluant les linges à vaisselle ou les serviettes mouillées – il en résulterait une violente explosion de vapeur.
- d) Utiliser un extincteur SEULEMENT SI:
  - I. Vous savez que vous avez un extincteur de classe ABC, et que vous savez déjà comment l'opérer.
  - II. Le feu est petit et contenu dans la zone où il a commencé.
  - III. On appelle le service des incendies.
  - IV. Vous pouvez combattre l'incendie avec une sortie derrière vous.

**AVERTISSEMENT: POUR RÉDUIRE LES RISQUES D'INCENDIE, UTILISER UNIQUEMENT DES CONDUITS EN MÉTAL.**

## CONSERVER CES INSTRUCTIONS

## INSTRUCTIONS D'INSTALLATION

- Déballer la hotte de sa boîte et confirmer que toutes les pièces sont présentes. En plus de la hotte de cuisine vous devriez avoir:
  - 1 - Filtre à graisse en aluminium
  - 1 - Clapet de 8,25 x 25,4 cm (3-1/4 po x 10 po)
  - 3 - Vis de montage de clapet
  - 4 - Vis de montage #8
  - 1 - Feuille d'instructions/ sécurité
- Déposer la hotte sur une table plane de manière à ce que le dessous soit face à vous. Utiliser une pièce de carton pour éviter d'endommager la table ou la hotte.
- Retirer le couvercle du compartiment de filage et ensuite le couvercle de la lampe en serrant les côtés vers l'intérieur, en l'enlevant des onglets situés sur la hotte (**Figure 1**).

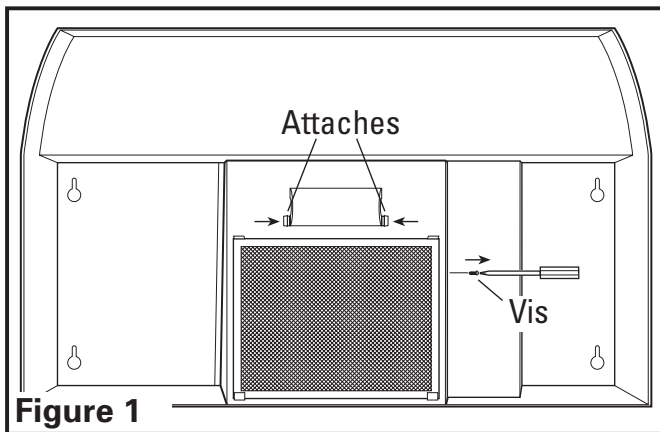


Figure 1

- Installer une ampoule de type A19 d'un maximum de 60 watts et réinstaller le couvercle de lampe.

### Préparer l'emplacement pour le Support de la Hotte

- Si la hotte sera installée sous des armoires qui ont un fond en retrait, il sera nécessaire d'installer des languettes de montage en bois (non incluses) pour que la hotte s'installe correctement (**Figure 2**).

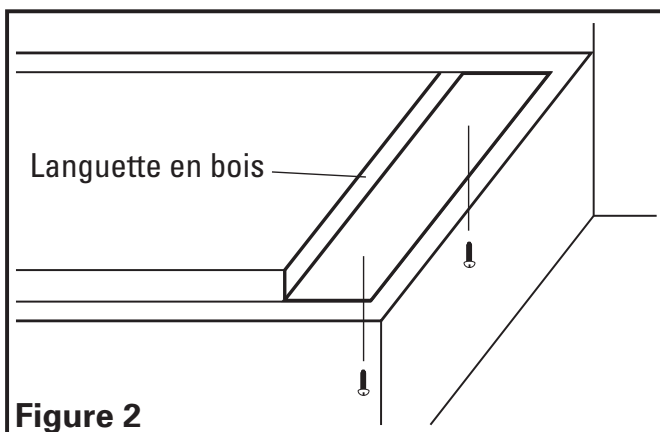


Figure 2

- L'épaisseur des languettes devrait être la même que le retrait de l'armoire et elles devraient être d'une largeur de 5 cm (2 po).
- Installer les languettes avec des vis à bois de longueur appropriées (non incluses). Assurez-vous que les languettes sont alignées avec les trous en poire de la hotte.

### Préparer la Hotte pour son Installation

- Choisir le type de conduits qui sera requis. Ce modèle est équipé pour souffler tant verticalement qu'horizontalement dans un conduit de 8,25 x 25,4 cm (3-1/4 po x 10 po). Il peut être modifié pour devenir

sans conduit (recirculation de l'air dans la cuisine) avec l'addition d'un filtre au charbon modèle RF34 (non inclus) ou soufflé au travers d'un conduit rond de 17,78 cm (7 po) avec l'addition d'un clapet modèle E-22a ou RDC7 (non inclus) (**Figure 3**).

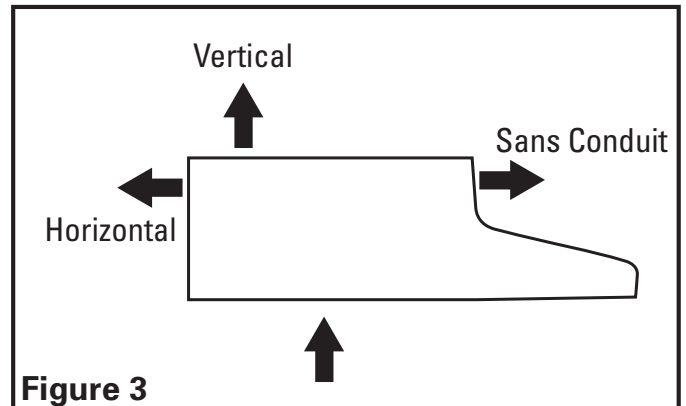


Figure 3

- 2a. **Horizontal ou Vertical** – Enlever l'alvéole défonçable en insérant un tournevis sous le contour et casser les attaches qui le retiennent en place. Peler avec des pinces (**Figure 4**).

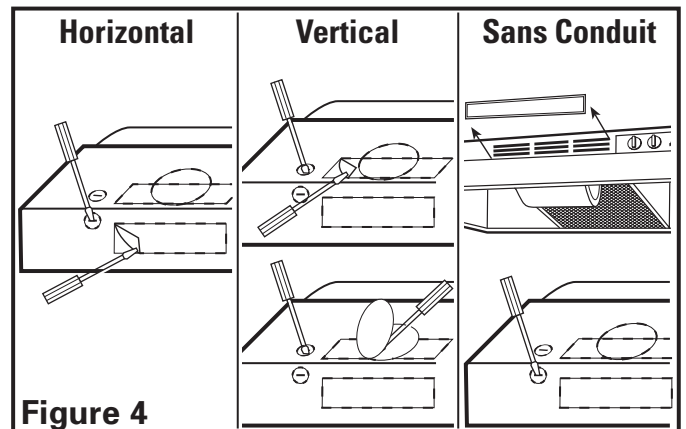


Figure 4

- 2b. **Sans Conduit** – soulever et retirer les inserts de ventilation de la hotte situés derrière la grille, exposant les fentes à air avant. Ne pas utiliser de tournevis ou tout autre objet qui pourrait égratigner la hotte (**Figure 4**).
- 2c. **Rond de 17,78 cm (7 po)** – enlever l'alvéole défonçable située sur le dessus de la hotte en insérant un tournevis sous le rebord et briser les attaches qui la maintiennent en place. Peler avec des pinces (**Figure 4**).
3. Déterminer où le service électrique entrera dans la hotte et enlever les alvéoles défonçables électriques appropriées en insérant un tournevis dans la fente et en le repliant vers l'avant et l'arrière jusqu'à ce que les alvéoles deviennent lâches (**Figure 4**).

**AVERTISSEMENT: VOUS ASSURER QUE L'ALIMENTATION EST COUPÉE AU PANNEAU DE SERVICE AVANT DE COMMENCER L'INSTALLATION.**

### Installation de la Hotte de Cuisine

- Une fois que la (les) bonne(s) alvéole(s) a(ont) été enlevée(s), au choix, tenir la hotte à l'emplacement d'installation et marquer les endroits appropriés des trous pour les conduits, l'électricité et de montage ou encore, marquer les emplacements en les mesurant.
- Couper les trous appropriés pour le raccordement des conduits et électrique dans le mur/ l'armoire.
- Pour un conduit vertical ou horizontal de 8,25 x 25,4 cm (3-1/4 po x 10 po), installer l'assemblage de clapet à la hotte en glissant la

section à onglets du clapet sous le corps de la hotte et en vissant les deux vis fournies. Pour un conduit rond de 17,78 cm (7 po), fixer soit un clapet modèle E-22A ou RCD7 (non inclus) à la hotte avec les 3 vis fournies (Figure 5).

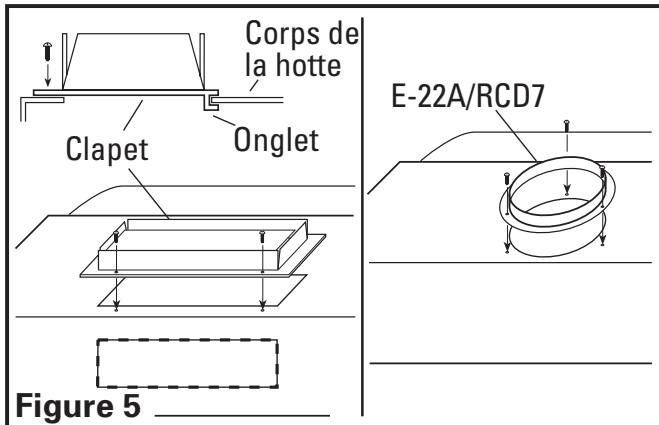


Figure 5

4. Installer un connecteur de filage approuvé à l'alvéole pour l'électricité de la hotte et guider les câbles électriques au travers de la hotte, en laissant au moins 15,24 cm (6 po) de fil pour le raccordement puis serrer.

**REMARQUE:** Si installation dans une construction existante et que vous n'aurez pas accès aux conduits une fois que la hotte sera en place, faire les raccords des conduits à ce point. Référez-vous à la section des Conduits pour les instructions.

5. Installer les 4 vis de montage aux endroits marqués précédemment. Laisser un dégagement d'environ 0,33 cm (1/8 po). Glisser la hotte en place au travers des trous en poire et aligner le devant de la hotte pour qu'il soit à effleurement avec le devant des armoires. Visser fermement toutes les vis (Figure 6).

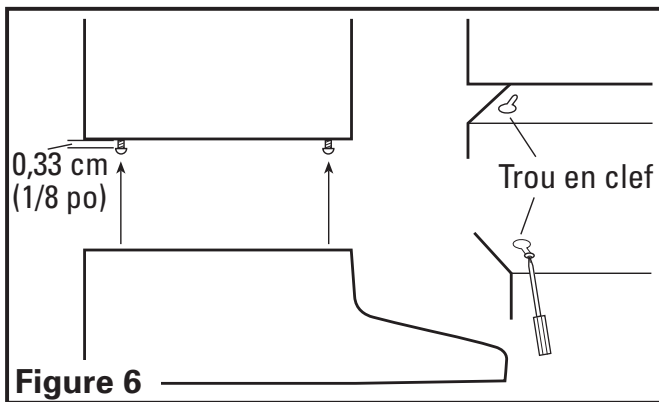


Figure 6

## Câblage

**AVERTISSEMENT:** TOUTES LES CONNEXIONS DOIVENT ÊTRE FAITES EN CONFORMITÉ AVEC LES CODES ÉLECTRIQUES LOCAUX OU NATIONAUX. SI VOUS N'ÊTES PAS FAMILIER AVEC LES MÉTHODES D'INSTALLATION DE CÂBLAGE ÉLECTRIQUE, RECOURREZ AUX SERVICES D'UN ÉLECTRICIEN QUALIFIÉ.

1. Connecter les deux fils lâches Blancs de la hotte de cuisine au fil Blanc de l'alimentation, et le fil lâche Noir de la hotte au fil Noir de l'alimentation. Connecter le fil de mise à la terre (vert ou dénudé) de l'alimentation à la vis verte de mise à la terre de la hotte. Utiliser des méthodes de connexion approuvées pour toutes les connexions (Figure 7).

**REMARQUE :** NE PAS déconnecter quelque fil qui ait déjà été serti avec un connecteur de fil à l'usine.

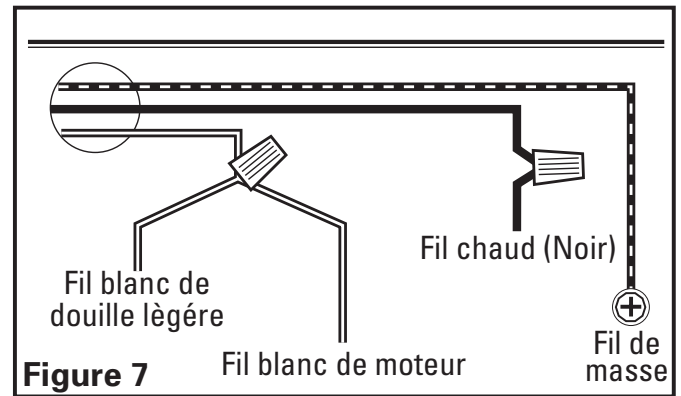


Figure 7

2. Remplacer le couvercle du compartiment à câblage et serrer les vis. Assurez-vous que tout le câblage est retenu solidement dans le compartiment de câblage.

## Conduits

**AVERTISSEMENT:** TOUS LES CONDUITS DOIVENT ÊTRE CONFORMES AUX CODES DU BÂTIMENT LOCAUX ET NATIONAUX.

**AVERTISSEMENT:** POUR RÉDUIRE LES RISQUES D'INCENDIE, UTILISER UNIQUEMENT DES CONDUITS EN MÉTAL.

1. Raccorder les conduits au collet et au clapet de la hotte. Fixer en place en utilisant du ruban pour canalisations pour sceller tous les joints (Figure 8).

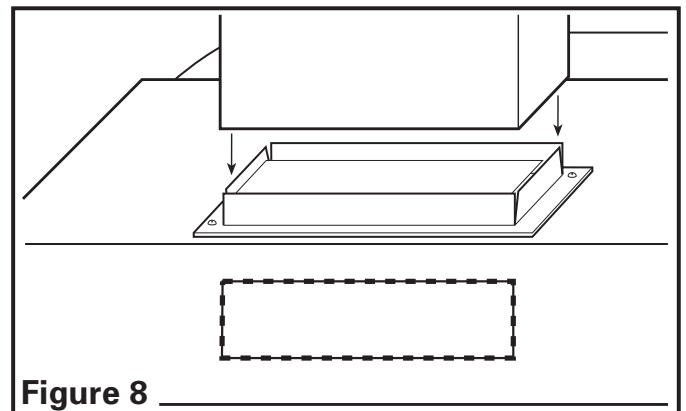


Figure 8

**AVERTISSEMENT:** TOUJOURS PASSER LES CONDUITS DU VENTILATEUR VERS L'EXTÉRIEUR EN UTILISANT UN CAPUCHON MURAL OU DE TOIT.

## Finition de l'installation

1. Installer les filtres en ajustant le filtre dans le canal de la hotte et en le glissant vers l'arrière jusqu'à ce qu'il soit arrêté contre l'arrière de la hotte (Figure 9).

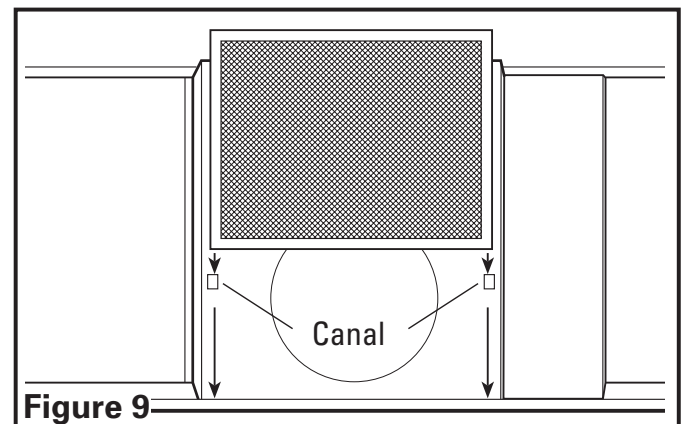


Figure 9



- Mettre les interrupteurs en position « HORS (OFF) » et rétablir l'alimentation. Tester que la lampe et le ventilateur fonctionnent correctement.
- S'il y a un bruit de vibration, recherchez-en la source et essayez de serrer les attaches ou d'ajuster le ruban pour canalisations pour faire un raccord ou un scellant plus serré.

## Opération

### Contrôles

Votre Hotte de Cuisine est munie de deux interrupteurs rotatifs dont l'un commande l'éclairage et l'autre le ventilateur. L'interrupteur d'éclairage a trois positions HAUT (HIGH) (●), BAS (LOW) (◐), et ÉTEINT (OFF) (■). L'interrupteur du ventilateur est un contrôle infini de vitesse qui peut être ajusté au réglage désiré. Tourner l'interrupteur en sens antihoraire jusqu'à ce que vous sentiez un léger déclic pour éteindre le ventilateur.

### Entretien

**AVERTISSEMENT: VOUS ASSURER QUE L'ALIMENTATION EST COUPÉE AU PANNEAU DE SERVICE AVANT DE FAIRE L'ENTRETIEN SUR L'UNITÉ.**

### Filtres

- Filtre à graisses – Un filtre à graisses en aluminium est inclus avec votre hotte et il devrait être nettoyé dans l'eau chaude avec du détergent

une fois par mois. Renverser les instructions dans la section «terminer l'installation» des instructions pour retirer le filtre. Si le filtre à graisses devient endommagé, le remplacer par un Filtre à graisses modèle GF-06 de Air King.

- Filtre anti-odeurs au charbon – si vous avez installé un filtre anti-odeur au charbon optionnel ou un filtre combiné à graisse/ charbon, ils ne peuvent pas être lavés et doivent être jetés lorsqu'ils deviennent notablement sales, qu'ils aient cessé de filtrer les odeurs, ou au moins une fois par année. Remplacer avec un Filtre Anti-Odeur Modèle CF-06 de Air King.

### Nettoyage

**AVERTISSEMENT: NE PAS UTILISER D'ESSENCE, BENZÈNE, DILUANT, DE NETTOYANT FORT, ETC., PUISQU'ILS POURRAIENT ENDOMMAGER LA HOTTE DE CUISINE.**

- Nettoyer votre hotte de cuisine avec un détergent doux, tel que du liquide à vaisselle, et le sécher avec un chiffon doux. **NE JAMAIS UTILISER DE TAMPON ABRASIF OU DE POUDRE À RÉCURER.** Sécher complètement avant de remettre l'alimentation. **NE JAMAIS IMMÉRGER LES PARTIES ÉLECTRIQUES DANS L'EAU.**
- Vous pouvez utiliser un aspirateur pour nettoyer l'assemblage du ventilateur si une accumulation (saletés, mousse, etc.) s'est produite avec le temps. Le ventilateur est lubrifié de manière permanente et ne requiert pas d'huile.

## Guide de dépannage

Trouble	Cause possible	Solution suggérée
1. La hotte ne fonctionne pas lorsque l'interrupteur est à EN (ON).	1a. Un fusible peut être grillé ou un disjoncteur peut être déclenché. 1b. Le câblage n'est pas raccordé correctement.	1a. Remplacer le fusible ou réinitialiser le disjoncteur. 1b. Couper l'alimentation de l'unité. Vérifier que tous les fils sont raccordés.
2. La hotte fonctionne, mais l'air circule plus lentement que la normale.	2. Obstruction dans les conduits d'évacuation.	2. Vérifier pour quelque obstruction dans les conduits incluant le filtre.
3. La hotte produit un son de crécelle.	3a. Le moteur est lâche. 3b. Le raccord des conduits est lâche.	3a. Couper l'alimentation de l'unité. Retirer le filtre, vérifier que toutes les vis sont serrées complètement. 3b. Couper l'alimentation de l'unité. Vérifier que tous les raccords des conduits sont bien serrés.

## GARANTIE LIMITÉE

Tous les produits fabriqués par Air King Limited sont garantis pour un an à partir de la date d'achat contre les défauts de main d'œuvre et/ou de matériel. De plus, tous les ventilateurs / évacuateurs, chauffeuses, combinés ventilateur/ lumière et/ou les chauffeuses et les hottes de cuisine sont garantis pour cinq années à partir de la date d'achat contre les défauts de main d'œuvre et/ou de matériel.

Cette garantie ne couvre pas de coûts de transport ou de main d'œuvre ou le coût de remplacement de composantes faisant partie d'entretien de routine tels que : Filtres à graisse des hottes de cuisine, filtres au charbon ou combiné filtre à graisse/ charbon ; ampoules électriques de remplacement dans les hottes de cuisine ou les combinés ventilateur/ lumière/ chauffeuse pour salle de bain. Aussi, tout dommage ou défaillance causé par un abus, une mauvaise utilisation, une installation fautive ou un entretien incorrect ne sera pas couvert par cette garantie.

De manière à effectuer une réclamation sous cette garantie, vous devez être l'acheteur original du produit. Il vous sera exigé de présenter la facture d'achat originale à Air King, qui démontrera : La date d'achat, l'endroit de l'achat et le modèle acheté. Le manquement à rencontrer ces exigences annulera votre garantie.

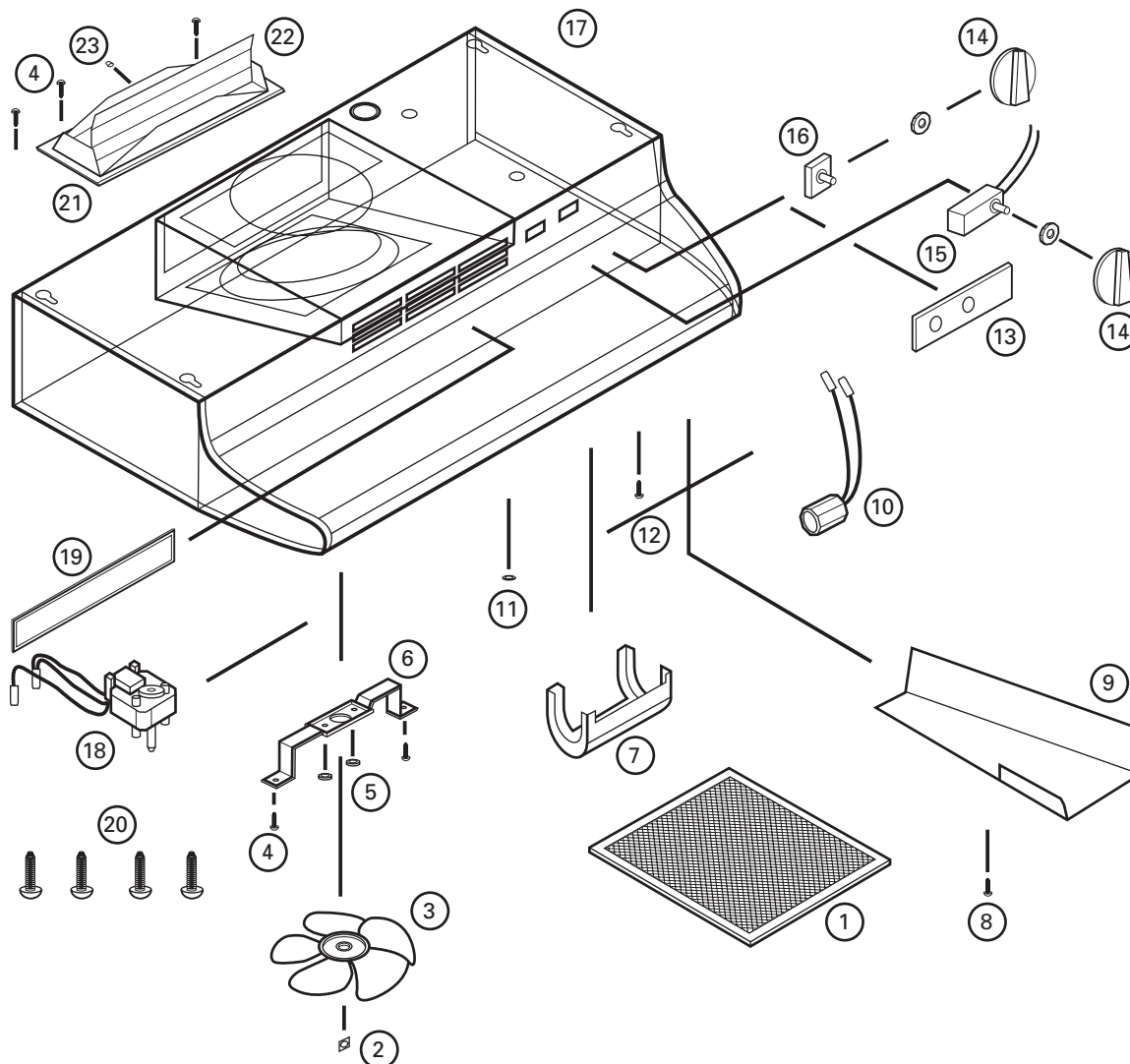
Air King ne sera pas tenu responsable de quelque blessure corporelle ou dommage à la propriété ou à l'immeuble que ce soit causé directement ou indirectement par le produit. Certains États ne permettent pas de limitation sur la durée de la garantie implicite, ou l'exclusion ou la limitation de dommages indirects ou accessoires, ainsi, ces limitations et exclusions peuvent ne pas s'appliquer à vous. Cette garantie vous donne des droits légaux spécifiques et vous pouvez aussi avoir des droits qui varient d'un État à l'autre et d'une province à l'autre.

## POUR DES PIÈCES OU DE L'ASSISTANCE TECHNIQUE

Veuillez appeler au 1-800-465-7300, **DU LUNDI AU VENDREDI ENTRE 8:00 HRE ET 16:00 HRE HNE.**  
**VEUILLEZ NE PAS RETOURNER CE PRODUIT À L'ENDROIT DE L'ACHAT D'ORIGINE.**

Référencer le type et le style du produit (localisé sur l'étiquette à l'intérieur du produit) lorsque vous appelez.  
Pour plus d'information, veuillez visiter le site Web de Air King au [www.airkinglimited.com](http://www.airkinglimited.com)

# DIAGRAMME DES PIÈCES DE REMPLACEMENT



#	Description	# de pièce de remplacement
1	Filtre RF35	5S4199011
2	Écrou	5S4199001
3	Hélice de ventilateur	5S4199002
4	Vis #8 B	5S1999015
5	Écrou hexagonal	5S1999006
6	Support de moteur	5S4199003
7	Lentille de lumière	5S4199004
8	Vis #6 AB	5S1999004
9	Couvercle de compartiment à câblage	5S4199005
10	Support à lampe	5S4199020
11	Bague	5S1999016
12	Vis #10 de mise à la terre	5S1999002
13	Plaque d'interrupteur - Blanc	5S1422003
	Biscuit	5S1422004
	Amande	5S1422005
	Noir	5S1422006

#	Description	# de pièce de remplacement
14	Boutons - Blanc	5S1418003
	Biscuit	5S1418004
	Amande	5S1418005
	Noir	5S1418006
15	Contrôle de Vitesse	5S4199017
16	Interrupteur de lumière	5S4199018
17	Bande de recouvrement -76,20 cm (30 po)	5S1427030
	91,44 cm (36 po)	5S1427040
18	Moteur	5S2110001
19	Plaque de persienne - Blanc	5S1429003
	Biscuit	5S1429004
	Amande	5S1429005
	Noir	5S1429006
20	Vis #8	5S1999017
21	Cadre de clapet	5S4199013
22	Clapet	5S4199014
23	Amortisseur de clapet	5S4199015

Installateur: \_\_\_\_\_

Date d'installation: \_\_\_\_\_

Endroit de l'achat: \_\_\_\_\_

Numéro de modèle: \_\_\_\_\_

# INSTRUCCIONES IMPORTANTES – MANUAL DE OPERACIÓN

Serie OZ



Campana de  
Extracción

## LEA Y GUARDE ESTAS INSTRUCCIONES

LEA CUIDADOSAMENTE ANTES DE INTENTAR MONTAR, INSTALAR, OPERAR O MANTENER EL PRODUCTO DESCRITO. PROTÉJASE A USTED MISMO Y A LOS DEMÁS OBEDECIENDO TODA LA INFORMACIÓN DE SEGURIDAD. ¡EL HECHO DE NO CUMPLIR CON LAS INSTRUCCIONES PODRÍA RESULTAR EN DAÑOS PERSONALES Y/O A LA PROPIEDAD!

**CONSERVE LAS INSTRUCCIONES PARA REFERENCIA FUTURA.**

## INFORMACIÓN GENERAL DE SEGURIDAD

Quando utilice aparatos eléctricos, siempre deben seguirse precauciones básicas para reducir el riesgo de incendio, choque eléctrico y heridas a personas, incluyendo las siguientes:

**ADVERTENCIA: PARA REDUCIR EL RIESGO DE INCENDIO, CHOQUE ELÉCTRICO Y HERIDAS A PERSONAS, OBEDEZCA LO SIGUIENTE:**

1. Lea todas las instrucciones antes de instalar o usar la campana de extracción.
2. Use esta unidad solamente de la forma indicada por el fabricante. Si tiene preguntas, contacte al fabricante.
3. Antes de reparar o limpiar la unidad, apague el suministro de electricidad en el panel de servicio y cierre los medios de desconexión del servicio para evitar que la electricidad sea activada accidentalmente. Cuando los medios de desconexión del servicio no puedan ser cerrados, coloque un dispositivo de alerta firmemente ajustado, como por ejemplo una etiqueta, en el panel de servicio.
4. El trabajo de instalación y de cableado eléctrico debe ser realizado por personal calificado de acuerdo con los códigos y estándares aplicables, incluyendo la construcción relacionada con incendios.
5. Se necesita suficiente aire para la combustión y escape adecuado de gases a través del tiro (chimenea) del equipo de quema de combustible para evitar llamaradas. Siga los principios y estándares de seguridad de los fabricantes de equipos de calefacción como por ejemplo aquellos publicados por la Asociación Nacional de Protección Contra Incendios [National Fire Protection Association (NFPA)] y la Sociedad Americana para Ingenieros de Calefacción, Refrigeración y Aire Acondicionado [American Society for Heating, Refrigeration, and Air Conditioning Engineers (ASHRAE)], y las publicaciones de códigos locales.

**CUIDADO: SÓLO PARA USO EN VENTILACIÓN GENERAL. NO USE PARA ESCAPES DE MATERIALES PELIGROSOS O EXPLOSIVOS Y VAPORES.**

6. Al perforar o taladrar una pared o un cielorraso, no dañe el cableado eléctrico ni otros servicios empotrados.

**CUIDADO: PARA REDUCIR EL RIESGO DE INCENDIO Y PARA PERMITIR EL ESCAPE ADECUADO DEL AIRE, ASEGÚRESE DE VENTILAR EL AIRE HACIA EL EXTERIOR –NO VENTILE EL AIRE DE ESCAPE EN ESPACIOS ENTRE PAREDES O CIELORRASOS O DENTRO DE ÁTICOS, ESPACIOS BAJO EL PISO O GARAJES.**

7. Esta unidad debe tener conexión a tierra.
8. Para evitar el daño a los rulemanes del motor y para no tener impulsores ruidosos y/o desbalanceados, mantenga el polvillo de mampostería o de construcción, etc., lejos de la unidad eléctrica.

**ADVERTENCIA: PARA REDUCIR EL RIESGO DE INCENDIO, CHOQUE ELÉCTRICO, NO USE ESTE EXTRACTOR CON NINGÚN DISPOSITIVO DE CONTROL DE VELOCIDAD DE ESTADO SÓLIDO.**

**ADVERTENCIA: PARA REDUCIR EL RIESGO DE UN INCENDIO DE LA GRASA EN LA PARTE SUPERIOR DE LA CAMPANA:**

- a) Nunca descuide las unidades superficiales en ubicaciones elevadas. Los hervores provocan humo y derrames de grasa que podrían incendiarse. Caliente aceites solamente en ubicaciones bajas o medias.
- b) Siempre ENCIENDA la campana cuando esté cocinando a fuego máximo o cuando esté “flambeando” comidas (por ejemplo: Crepes Suzette, Cerezas Jubilee, Carne Flambeada con Granos de Pimienta).
- c) Limpie los ventiladores de extracción frecuentemente. No debe permitir que se acumule grasa en el filtro del ventilador.
- d) Use el tamaño de fuente apropiado. Siempre use utensilios de cocina adecuados para el tamaño del elemento de superficie.

**ADVERTENCIA: PARA REDUCIR EL RIESGO DE DAÑO A PERSONAS EN EL CASO DE UN INCENDIO DE LA GRASA EN LA PARTE SUPERIOR DE LA CAMPANA, OBEDEZCA LAS SIGUIENTES INSTRUCCIONES:**

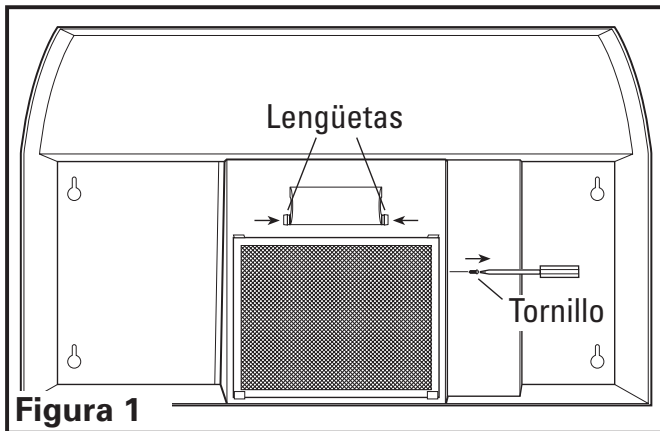
- a) AHOGUE LAS LLAMAS con una tapa de cierre hermético, banda para horno o bandeja de metal y luego apague el quemador. ASEGÚRESE DE EVITAR QUEMADURAS. Si las llamas no se extinguen de inmediato, RETÍRESE Y LLAME AL DEPARTAMENTO DE BOMBEROS.
- b) NUNCA LEVANTE UNA FUENTE EN LLAMAS – Podría resultar con quemaduras.
- c) NO USE AGUA, incluyendo trapos de cocina o toallas húmedas – podrían provocar una explosión violenta de vapor.
- d) Use un extintor SOLAMENTE si:
  - I. Usted sabe que tiene un extintor Clase ABC, y ya sabe cómo operarlo.
  - II. El incendio es pequeño y está contenido en el área donde se inició.
  - III. Se está llamando al departamento de incendios.
  - IV. Usted puede combatir el incendio con su espalda hacia una salida.

**ADVERTENCIA: PARA REDUCIR EL RIESGO DE INCENDIO, USE SÓLO TUBERÍAS DE METAL.**

## CONSERVE ESTAS INSTRUCCIONES

## INSTRUCCIONES DE INSTALACIÓN

- Desempaque la campana de la caja y confirme que todas las piezas están presentes. Además de la campana de extracción usted debería tener:
  - 1 - Filtro Para Grasa de Aluminio
  - 1 - Regulador de Tiro de 3-1/4" x 10"
  - 3 - Tornillos de Montaje del Regulador de Tiro
  - 4 - Tornillos de Montaje #8
  - 1 - Hoja de Instrucciones/Seguridad
- Coloque la campana invertida sobre una mesa para que el lado inferior quede frente a usted. Use un trozo de cartón para evitar dañar la mesa o la campana.
- Retire el tornillo de la Cubierta del Compartimiento de Cable y luego la cubierta de la lámpara oprimiendo los costados hacia adentro, retirándolo de las lengüetas ubicadas en la campana. **(Figura 1)**.

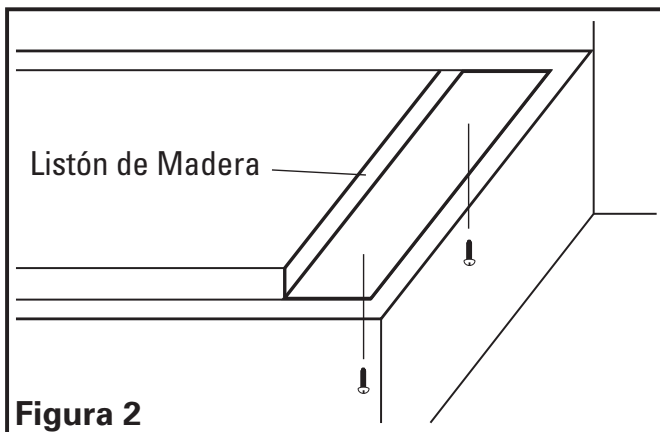


**Figura 1**

- Instale una lamparilla tipo A19 de 60 vatios como máximo y reinstale la cubierta de la lámpara.

### Preparando la ubicación para el Soporte de la Campana.

- Si la campana va a ser instalada debajo de gabinetes que tienen la parte inferior empotrada, será necesario instalar listones de montaje de madera (no incluidas) para que la campana pueda ser adecuadamente instalada **(Figura 2)**.



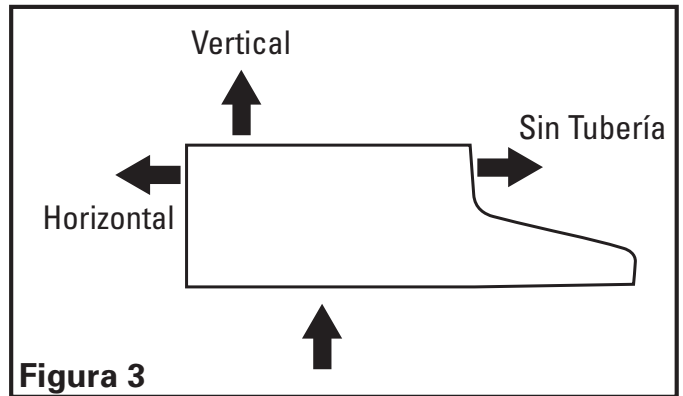
**Figura 2**

- El grosor de los listones debería ser el mismo que el del empotrado del gabinete y deberían medir aproximadamente 2" de ancho.
- Instale los listones usando tornillos para madera del largo apropiado (no incluidos). Asegúrese que los listones estén alineados con los agujeros en forma de ojo de cerradura de la campana de extracción.

### Preparando la Campana para su Instalación

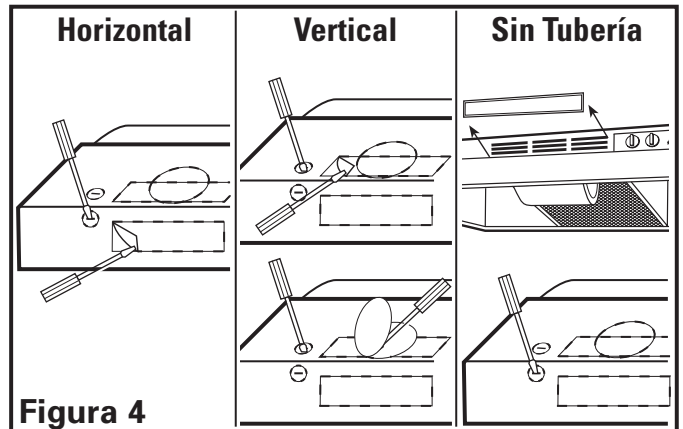
- Elija el tipo de tuberías que va a necesitar. Este modelo viene equipado para ventilar tanto vertical como horizontalmente mediante un tubo de 3-1/4" x 10". Puede ser modificado para funcionar sin

tuberías (re-circula el aire hacia la cocina) con el agregado de un Filtro para Carbón modelo RF34 (no incluido) o ventilado a través de un tubo redondo de 7" con el agregado de un Collar para Tubos modelo E-22a (no incluido) **(Figura 3)**.



**Figura 3**

- 2a. **Horizontal o Vertical** – Retire la placa desmontable cuadrada insertando un destornillador por debajo del borde y rompa las lengüetas que la mantienen en su lugar. Pele usando pinzas **(Figura 4)**.



**Figura 4**

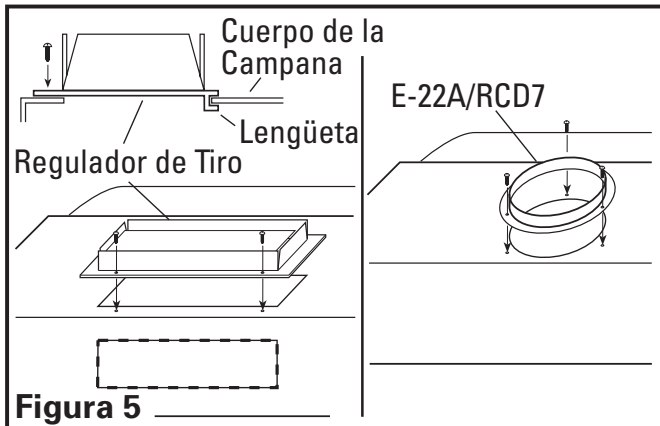
- 2b. **Sin Tubería** – Levante y retire la inserción de ventilación de la campana ubicada detrás de la parrilla, exponiendo las ranuras de aire frontales. No use un destornillador o cualquier otro objeto que pueda raspar la campana **(Figura 4)**.
- 2c. **Redonda de 7"** – Retire la placa desmontable redonda ubicada en la parte superior de la campana insertando un destornillador por debajo del borde y rompa las lengüetas que la mantienen en su lugar. Pele usando pinzas **(Figura 4)**.
3. Determine por donde ingresará el suministro eléctrico en la campana y retire la placa desmontable eléctrica apropiada insertando un destornillador dentro de la ranura y moviéndolo hacia adelante y hacia atrás hasta que la placa desmontable quede suelta **(Figura 4)**.

**CUIDADO: ASEGÚRESE QUE EL SUMINISTRO ELÉCTRICO ESTÉ APAGADO EN UN PANEL DE SERVICIO ANTES DE COMENZAR LA INSTALACIÓN.**

### Instalando la Campana de Extracción

- Una vez que la(s) placa(s) desmontable(s) adecuada(s) haya(n) sido retiradas, o bien sostenga la campana hasta colocarla en el lugar de instalación y entonces marque las ubicaciones de las tuberías, electricidad, y orificios de montura o marque las ubicaciones tomando medidas.
- Perfore los orificios adecuados para la conexión de tuberías y conexión eléctrica en la pared/gabinete.
- Para tuberías de 3-1/4" x 10" verticales u horizontales, instale la montura del regulador de tiro en la campana deslizando la sección

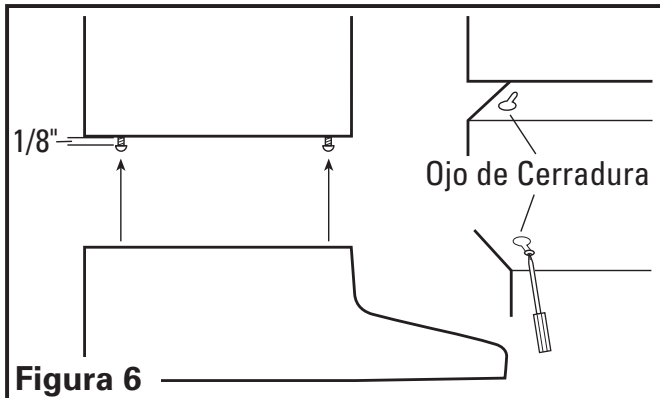
con lengüetas debajo del cuerpo de la campana y asegurándola con los dos tornillos provistos. Para tubos redondos de 7", asegure un Collar para Tubos modelo E-22A o RCD7 (no incluidos) a la campana con los tres tornillos provistos (Figura 5).



4. Instale un conector de cable aprobado a la placa desmontable de la campana y guíe los cables eléctricos a través de la campana, dejando por lo menos 6" de cable para conexiones y para ajustes.

**NOTA:** Si va a instalar en una construcción existente y no tendrá acceso a la tubería una vez que la campana esté en su lugar, haga conexiones de tuberías en este punto. Consulte la Sección de Tuberías para más instrucciones.

5. Instale los 4 tornillos montantes en las ubicaciones previamente marcadas. Deje un espacio libre de aproximadamente 1/8". Deslice la campana hasta colocarla en su lugar a través de los orificios con forma de ojo de cerradura y alinee el frente de la campana para que esté al mismo nivel del frente de los gabinetes. Ajuste firmemente todos los tornillos (Figura 6).

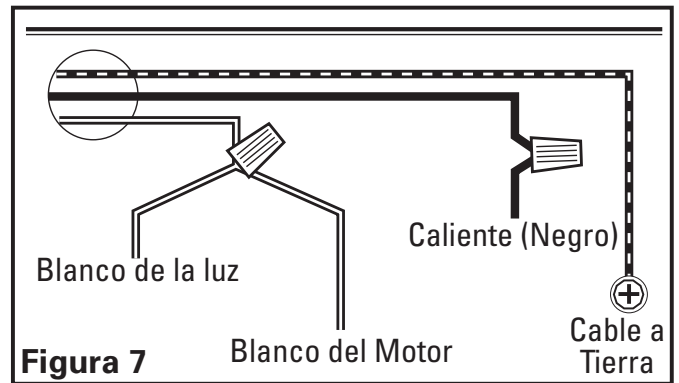


## Cableado

**CUIDADO:** TODAS LAS CONEXIONES ELÉCTRICAS DEBEN HACERSE EN CUMPLIMIENTO DE LOS CÓDIGOS Y LAS ORDENANZAS LOCALES O CON EL CÓDIGO ELÉCTRICO NACIONAL. SI USTED NO ESTÁ FAMILIARIZADO CON LOS MÉTODOS DE INSTALACIÓN DEL CABLEADO ELÉCTRICO, ASEGÚRESE DE CONTAR CON LOS SERVICIOS DE UN ELECTRICISTA CALIFICADO.

1. Conecte los 2 cables Blancos sueltos de la campana de extracción al cable Blanco del suministro, y el cable Negro suelto de la campana de extracción con el cable Negro del suministro. Conecte el cable a tierra (verde o descubierto) del suministro con el tornillo verde a tierra de la campana. Use métodos aprobados para todas las conexiones (Figura 7).

**NOTA:** NO desconecte ningún cable que haya sido previamente plegado con un conector de cable de fábrica.



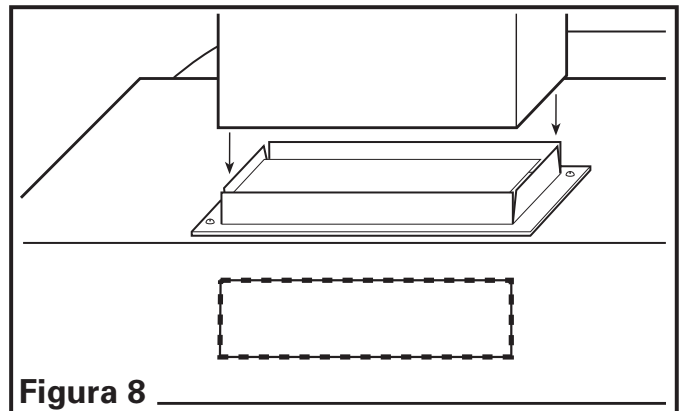
2. Vuelva a colocar la cubierta del compartimiento y asegure el tornillo. Asegúrese que todos los cables queden contenidos con seguridad dentro del compartimiento de cables.

## Tuberías

**CUIDADO:** TODAS LAS TUBERÍAS DEBEN CUMPLIR CON LOS CÓDIGOS DE CONSTRUCCIÓN LOCALES Y NACIONALES.

**ADVERTENCIA:** PARA REDUCIR EL RIESGO DE INCENDIO, USE SÓLO TUBERÍAS DE METAL.

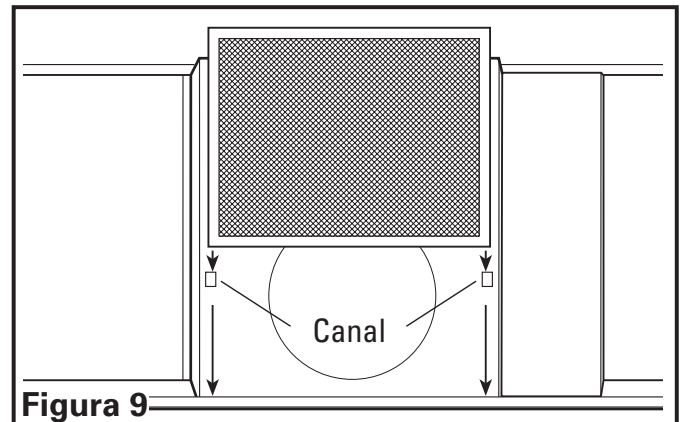
1. Conecte el tubo al collar para tubos y regulador de tiro de la campana. Asegure en su lugar usando cinta para sellar todas las juntas (Figura 8).



**CUIDADO:** SIEMPRE COLOQUE LA TUBERÍA DEL VENTILADOR HACIA EL EXTERIOR A TRAVÉS DE UNA PARED O CUMBRERA PARA TECHO.

## Terminando la Instalación

1. Instale el filtro ajustando el mismo en el canal de la campana y deslizando hacia atrás hasta que se detenga contra la parte posterior de la campana (Figura 9).



- Coloque los interruptores en la posición "APAGADO" y restaure el suministro eléctrico. Compruebe que la luz y el ventilador estén funcionando correctamente.
- Si hay cualquier sonido de vibración, busque la fuente del mismo y trate de ajustar los sujetadores o de ajustar la cinta de la tubería para lograr una mejor conexión o sellado.

## Funcionamiento

### Controles

Su Campana de Extracción viene equipada con dos interruptores rotativos, uno de ellos controla la luz y el otro controla el ventilador de extracción. El interruptor de la luz tiene tres posiciones, ALTA (●), BAJA (◐), y APAGADA (■). El interruptor del ventilador es un control de velocidad infinita que puede ser ajustado a la posición deseada. Hacer girar el interruptor en el sentido contrario a las agujas del reloj hasta que escuche un clic apagará la campana.

### Mantenimiento

**CUIDADO: ASEGÚRESE QUE LA ELECTRICIDAD ESTÉ APAGADA EN UN PANEL DE SERVICIO ANTES DE REPARAR LA UNIDAD.**

#### Filtros

- Filtro para Grasa – Incluido con su campana de extracción viene un filtro para grasa de aluminio que debe ser lavado en agua caliente

con detergente una vez al mes. Invierta las instrucciones en la sección "Terminando la Instalación" para retirar el filtro. Si el filtro para grasa resulta dañado, reemplácelo con un Filtro para Grasa Modelo Air King GF-06.

- Filtro para Olor de Carbón – Si usted ha instalado un filtro opcional para olor de carbón o un filtro combinado para grasa/carbón, los mismos no pueden ser lavados y deben ser descartados y reemplazados cuando se pongan notoriamente sucios, hayan dejado de filtrar los olores o, por lo menos, una vez al año. Reemplace con un Filtro para Olor de Carbón Air King Modelo CF-06.

#### Limpieza

**CUIDADO: NO USE GASOLINA, BENCINA, THINNER, LIMPIADORES DUROS, ETC., YA QUE PUEDEN DAÑAR LA CAMPANA DE EXTRACCIÓN.**

- Limpie su campana de extracción con un detergente suave, como el líquido para lavar los platos, y seque con un trapo suave. **NUNCA USE ALMOHADILLAS ABRASIVAS O POLVOS LIMPIADORES.** Seque completamente antes de restaurar el suministro eléctrico. **NUNCA SUMERJA LAS PARTES ELÉCTRICAS EN AGUA.**
- La montura del ventilador puede ser aspirada cuando se acumule suciedad (polvo, pelusa, etc.) con el tiempo. El ventilador está permanentemente lubricado y no necesita ser aceitado.

## Guía de Solución de Problemas

Problema	Causa Probable	Solución Sugerida
1. La campana no funciona cuando el interruptor está encendido.	1a. Un fusible puede estar quemado o puede haber un cortocircuito. 1b. El cableado no está correctamente conectado.	1a. Cambie el fusible o reinicie el disyuntor diferencial. 1b. Apague el suministro eléctrico de la unidad. Verifique que todos los cables estén conectados.
2. La campana funciona, pero el aire se mueve más lentamente de lo normal.	2. Obstrucción en la tubería de extracción.	2. Verifique cualquier obstrucción en la tubería incluyendo los filtros.
3. La campana está haciendo un sonido de vibración.	3a. El motor está suelto. 3b. La conexión de la tubería está suelta.	3a. Apague el suministro eléctrico de la unidad. Retire el filtro, verifique que todos los tornillos estén bien ajustados. 3b. Apague el suministro eléctrico de la unidad. Verifique que la conexión de la tubería esté ajustada.

## GARANTÍA LIMITADA

Todos los productos fabricados por Air King Limited están garantizados por un año desde la fecha de compra contra defectos de fabricación y/o del material. Además, todos los ventiladores de ventilación/extracción, calentadores, luces de combinación de ventiladores y/o calentadores, y campanas de extracción están garantizados por cinco años desde la fecha de compra contra defectos de fabricación y/o del material.

Esta garantía no cubre ningún trabajo ni los costos de envío o el costo de componentes de reemplazo como parte del mantenimiento de rutina tales como: filtros para grasa de campanas de extracción, filtros para carbón o filtros combinados para carbón/grasa; lamparillas de repuesto en campanas de extracción o combinaciones de ventilador/luz/lamparillas para baños. También, cualesquiera daños o fallas causados por abuso, mal uso, uso anormal, instalación defectuosa, o mantenimiento inadecuado no serán cubiertos por esta garantía.

Para hacer un reclamo sobre esta garantía, usted debe ser el consumidor original del producto. Usted deberá presentar a Air King la factura original de la venta mostrando: fecha de compra, lugar de compra y modelo comprado. El hecho de con cumplir con estos requisitos anulará su garantía.

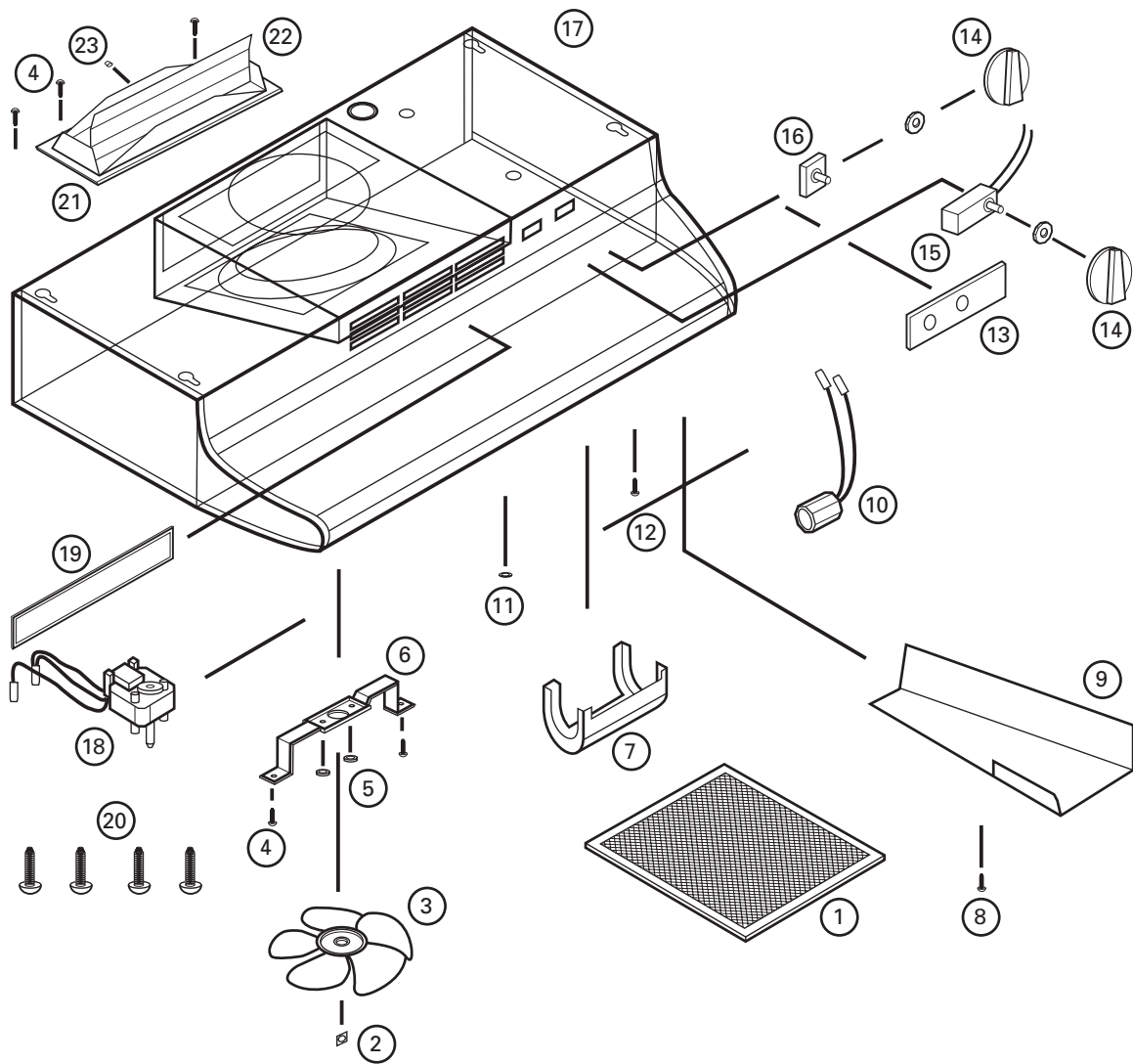
Air King no será responsable por ninguna herida corporal o daños a la propiedad personal o de bienes raíces ya fueren causados directa o indirectamente por el producto. Algunos estados y provincias no permiten la exclusión o limitación de daños incidentales o por consecuencia y algunos estados no permiten limitaciones sobre cuánto tiempo dura una garantía implícita. Entonces, dichas exclusiones o limitaciones pueden no ser aplicables en su caso. Esta garantía le brinda a usted derechos legales específicos y usted puede tener otros derechos que varían de estado a estado y de provincia a provincia.

## PARA REPUESTOS O ASISTENCIA TÉCNICA

Por favor llame al: 1-800-465-7300, **DE LUNES A VIERNES, ENTRE LAS 8 AM Y LAS 4:00 PM EST.**  
**POR FAVOR NO DEVUELVA EL PRODUCTO AL LUGAR DE COMPRA.**

Haga referencia al tipo y estilo de producto (ubicados en la etiqueta dentro del producto) cuando llame.  
Para más información por favor visite nuestro sitio web: [www.airkinglimited.com](http://www.airkinglimited.com)

# DIAGRAMA DE REPUESTOS



#	Descripción	Número de Repuesto
1	Filtro RF35	5S4199011
2	Tuercas A Presión	5S4199001
3	Aspa del Ventilador	5S4199002
4	Tornillo #8 B	5S1999015
5	Tuerca Hexagonal	5S1999006
6	Ménsula del Motor	5S4199003
7	Lentes de la Luz	5S4199004
8	Tornillo #6 AB	5S1999004
9	Cubierta del Compartimiento de Cable	5S4199005
10	Soporte de la Lámpara	5S4199020
11	Buje	5S1999016
12	Tornillo a Tierra #10	5S1999002
13	Placa del Interruptor - Blanco	5S1422003
	Bizcocho	5S1422004
	Almendra	5S1422005
	Negro	5S1422006

#	Descripción	Número de Repuesto
14	Perillas - Blanco	5S1420003
	Bizcocho	5S1420004
	Almendra	5S1420005
	Negro	5S1420006
15	Control de Velocidad	5S4199017
16	Interruptor de la Luz	5S4199018
17	Envoltorio - 30"	5S1427030
	36"	5S1427040
18	Motor	5S2110001
19	Placa de la Parrilla - Blanco	5S1429003
	Bizcocho	5S1429004
	Almendra	5S1429005
	Negro	5S1429006
20	Tornillo #8	5S1999017
21	Montura del Regulador de Tiro	5S4199013
22	Regulador de Tiro	5S4199014
23	Amortiguador del Regulador de Tiro	5S4199015

Instalador: \_\_\_\_\_

Fecha de Instalación: \_\_\_\_\_

Lugar de Compra: \_\_\_\_\_

Número de Modelo: \_\_\_\_\_

