

IMPORTANT INSTRUCTIONS - OPERATING MANUAL

Models: ESVAL30,
ESVAL36



Range Hood

READ AND SAVE THESE INSTRUCTIONS

READ CAREFULLY BEFORE ATTEMPTING TO ASSEMBLE, INSTALL, OPERATE OR MAINTAIN THE PRODUCT DESCRIBED. PROTECT YOURSELF AND OTHERS BY OBSERVING ALL SAFETY INFORMATION. FAILURE TO COMPLY WITH INSTRUCTIONS COULD RESULT IN PERSONAL INJURY AND/OR PROPERTY DAMAGE!

RETAIN INSTRUCTIONS FOR FUTURE REFERENCE.

GENERAL SAFETY INFORMATION

When using electrical appliances, basic precautions should always be followed to reduce the risk of fire, electric shock and injury to person, including the following:

WARNING: TO REDUCE THE RISK OF FIRE, ELECTRIC SHOCK AND INJURY TO PERSON, OBSERVE THE FOLLOWING:

- a) Use this unit only in the manner intended by the manufacturer. If you have questions, contact the manufacturer.
- b) Before servicing or cleaning the unit, switch power off at service panel and lock the service disconnecting means to prevent power from being switched on accidentally. When the service disconnecting means cannot be locked, securely fasten a prominent warning device, such as a tag, to the service panel.

WARNING: TO REDUCE THE RISK OF FIRE, ELECTRIC SHOCK AND INJURY TO PERSON, OBSERVE THE FOLLOWING:

- a) Installation work and electrical wiring must be done by qualified person(s) in accordance with all applicable codes and standards, including fire-related construction.
- b) Sufficient air is needed for proper combustion and exhausting of gases through the flue (chimney) of fuel burning equipment to prevent back drafting. Follow the heating equipment manufacturer's guideline and safety standards such as those published by the National Fire Protection Association (NFPA) and the American Society for Heating, Refrigeration, and Air Conditioning Engineers (ASHRAE), and the local code authorities.
- c) When cutting or drilling into wall or ceiling, do not damage electrical wiring and other hidden utilities.

CAUTION: TO REDUCE THE RISK OF FIRE AND TO PROPERLY EXHAUST AIR, BE SURE TO DUCT AIR OUTSIDE - DO NOT VENT EXHAUST AIR INTO SPACES WITHIN WALLS OR CEILINGS OR INTO ATTICS, CRAWL SPACES, OR GARAGES.

- d) Ducted fans must always be vented to the outdoors.
- e) This unit must be grounded.
- f) To avoid motor bearing damage and noisy and/or unbalanced impellers, keep drywall spray, construction dust, etc. off power unit.
- g) Read all instructions before installing or using range hood.

TO REDUCE THE RISK OF FIRE, ELECTRIC SHOCK, DO NOT USE THIS FAN WITH ANY SOLID-STATE SPEED CONTROL DEVICE.

TO REDUCE THE RISK OF A RANGE TOP GREASE FIRE:

- a) Never leave surface units unattended at high settings. Boilovers cause smoking and greasy spillovers that may ignite. Heat oils slowly on low or medium settings.
- b) Always turn hood ON when cooking at high heat or when flambéing food (ie. Crepes Suzette, Cherries Jubilee, Peppercorn Beef Flambé).
- c) Clean ventilating fans frequently. Grease should not be allowed to accumulate on fan filter.
- d) Use proper pan size. Always use cookware appropriate for the size of the surface element.

TO REDUCE THE RISK OF INJURY TO PERSONS IN THE EVENT OF A RANGE TOP GREASE FIRE, OBSERVE THE FOLLOWING:

- a) SMOTHER FLAMES with a close-fitting lid, cookie sheet, or metal tray, then turn off burner. BE CAREFUL TO PREVENT BURNS. If the flames do not go out immediately, EVACUATE AND CALL THE FIRE DEPARTMENT.
- b) NEVER PICK UP A FLAMING PAN - You may be burned.
- c) DO NOT USE WATER, including wet dishcloths or towels - a violent steam explosion will result.
- d) Use an extinguisher ONLY if:
 - I. You know you have a Class ABC extinguisher, and you already know how to operate it.
 - II. The fire is small and contained in the area where it started.
 - III. The fire department is being called.
 - IV. You can fight the fire with your back to an exit.

TO REDUCE THE RISK OF FIRE, USE ONLY METAL DUCTWORK.

SAVE THESE INSTRUCTIONS

INSTALLATION INSTRUCTIONS

CAUTION: MAKE SURE POWER IS SWITCHED OFF AT SERVICE PANEL BEFORE STARTING INSTALLATION.

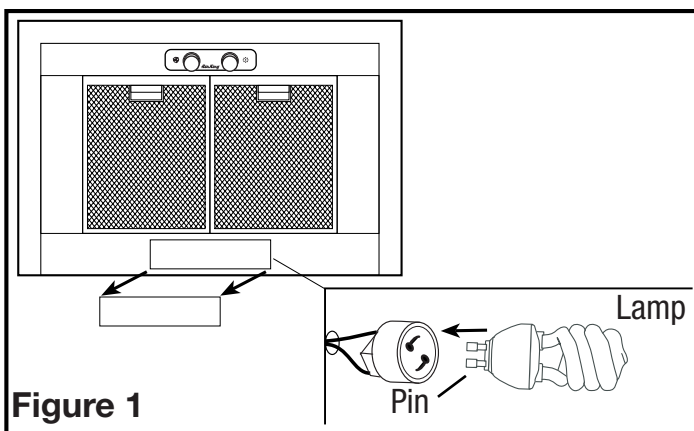
SECTION 1

Preparing the Range Hood

1. Unpack hood from the carton and confirm that all pieces are present. In addition to the range hood you should have:
 - 2 - Chimney Sections
 - 1 - Package containing:
 - 1 - duct collar
 - 2 - chimney brackets
 - 1 - Wire compartment
 - 8 - #6 x 1" mounting screws with wall anchors
 - 2 - #6 x 3/8" self threading screws (chimney upper)
 - 3 - #8-32 screws
 - 30" models: 2 - Aluminum Grease Filters (shipped installed)
 - 36" models: 3 - Aluminum Grease Filters (shipped installed)
 - 1 - GU24 Base, 26W Fluorescent Lamp
 - 1 - Instruction/Safety Sheet

NOTE: Some hoods may be shipped with a protective plastic adhered to the range hood. It is recommended to leave this in place during installation to protect the hood from scratching. Remove when the installation is complete.

2. Lay the back side of the hood flat on a table. Use a piece of cardboard to avoid damaging the table or the hood.
3. Remove the lens cover on the underside of the range hood and install the included 26 watt fluorescent lamp (**Figure 1**).



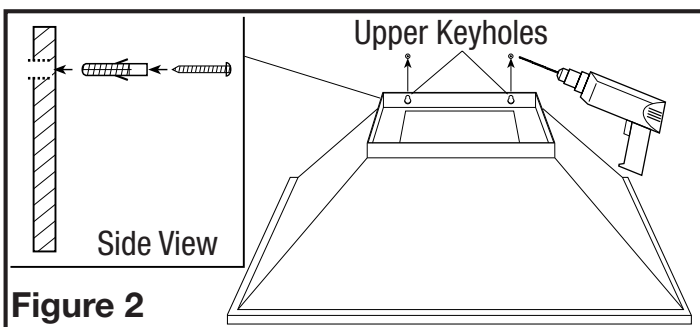
SECTION 2

Installing the Range Hood

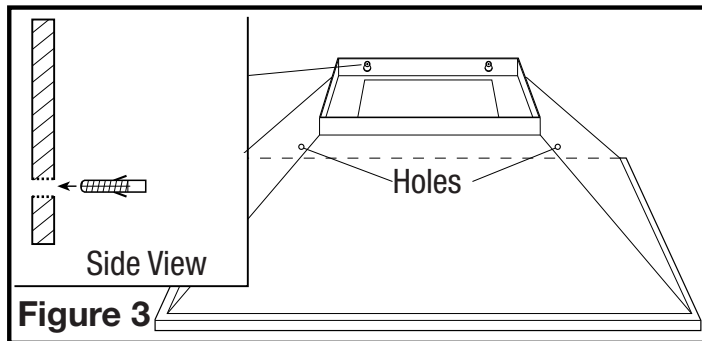
CAUTION: MAKE SURE POWER IS SWITCHED OFF AT SERVICE PANEL BEFORE STARTING INSTALLATION.

CAUTION: WHEN CUTTING OR DRILLING INTO WALL DO NOT DAMAGE ELECTRICAL WIRING AND OTHER HIDDEN UTILITIES.

1. Locate and mark the upper keyhole positions on the wall. If installing onto drywall, drill holes into wall using a 3/16" drill bit. Install wall anchors into the drilled holes (one for each hole). Install (2) provided #6 x 1" screws, leaving a 1/8" gap between the screw head and the wall. If installing into other material (brick, cement, plaster, etc.) choose an appropriate fastener capable of supporting the weight of the hood. Line up the keyholes in the hood with the screws and position in place. Hang the hood over the keyhole anchors and verify that the hood is centered, plum and level (**Figure 2**).



2. With the hood hanging in place from the top screws, mark the location of the lower holes. If installing onto drywall, remove the hood and drill holes into wall using a 3/16" drill bit. Install wall anchors into the drilled holes (one for each hole). If installing into other material (brick, cement, plaster, etc.) choose an appropriate fastener capable of supporting the weight of the hood. Hang the hood over the keyhole anchors and verify that the hood is centered, level and the bottom holes line up with the anchors. Install the provided #6 x 1" screws into the anchors (**Figure 3**). Tighten all screws completely and reinstall the Grease filters.



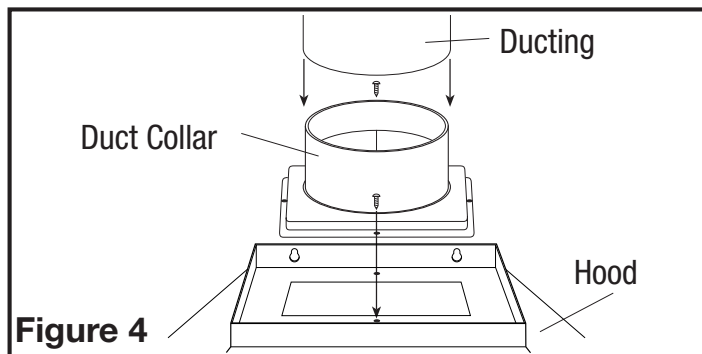
SECTION 3

Ducting

CAUTION: ALL DUCTING MUST COMPLY WITH LOCAL AND NATIONAL BUILDING CODES.

CAUTION: TO REDUCE THE RISK OF FIRE, USE ONLY METAL DUCTWORK.

1. Install the included duct collar to the hood with four of the provided #6 blunt tip screws (**Figure 4**).



1. Connect the ducting to the duct collar and secure in place using tape to seal all joints (**Figure 4**).

NOTE: To achieve proper air flow, 6" round ducting is required. The duct connector is 5.8" in diameter (for 6" round ducting) and the center is located 3.1875" inches from the back wall. To ensure the best air and sound performance, it is recommended that the length of ducting and the number of elbows be kept to a minimum, the radius of each elbow be as large as possible for the installation, and that hard ducting be used. Larger duct sizes will reduce noise and airflow restrictions.

CAUTION: ALWAYS DUCT THE FAN TO THE OUTSIDE THROUGH A WALL OR ROOF CAP.

SECTION 4

Wiring

CAUTION: ALL ELECTRICAL CONNECTIONS MUST BE MADE IN ACCORDANCE WITH LOCAL CODES, ORDINANCES, OR NATIONAL ELECTRICAL CODE. IF YOU ARE UNFAMILIAR WITH METHODS OF INSTALLING ELECTRICAL WIRING, SECURE THE SERVICES OF A QUALIFIED ELECTRICIAN.

1. Remove wire compartment cover by removing the screw then sliding it outward. Choose the most convenient electrical knockout and remove using a straight-blade screw driver.
2. Run wiring from an approved source carrying the appropriate rating. One neutral (White), one ground (green or bare copper), and one hot (Black). Secure the electrical wires to the wire compartment with an approved electrical connector. Make sure you leave enough wiring in the box to make the connection to the hood.
3. Connect the White wire from the range hood to the White wire from the supply, and the Black wire from the range hood to the Black wire of the supply. Connect the ground wire from the home (green or bare) and the Green wire from the range hood. Use approved methods for all connections. Reinstall the wire compartment by sliding the tabs back into the holes then reinstalling the screw that was removed earlier. Make sure all wiring is securely contained within the wire compartment (**Figure 5**).

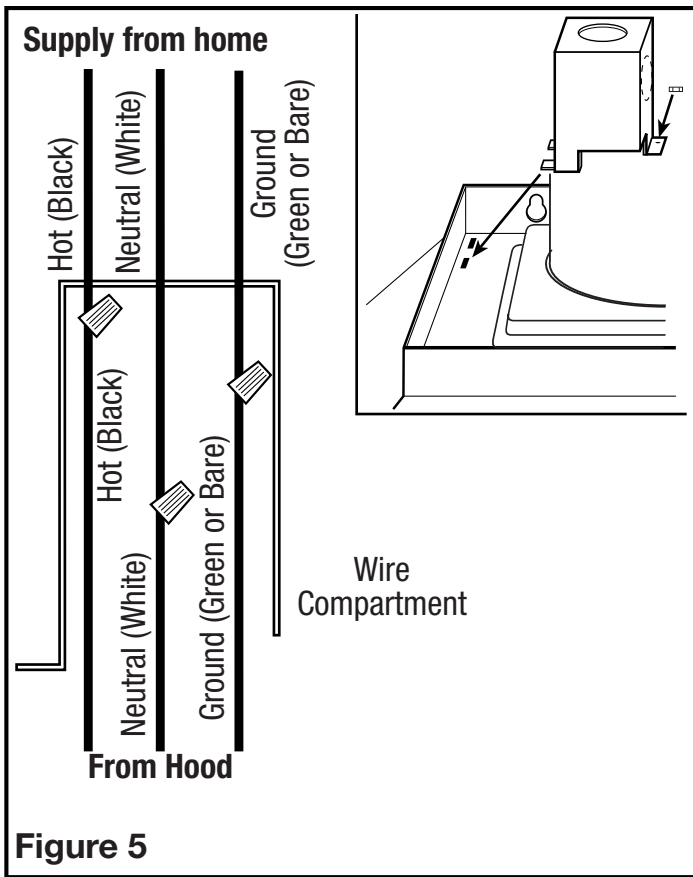


Figure 5

SECTION 5

Attaching the Chimney

1. Mark the location for the vertical chimney bracket:
If using the upper chimney section: 9-3/4"
If not using upper chimney section: 15-3/4"
2. If installing onto drywall, drill holes into wall using a 3/16" drill bit. Install wall anchors into the drilled holes (one for each hole). Secure bracket into place with (2) provided #6 x 1" screws. If installing into other material (brick, cement, plaster, etc.) choose an appropriate fastener capable of supporting the weight of the chimney (**Figure 6**).

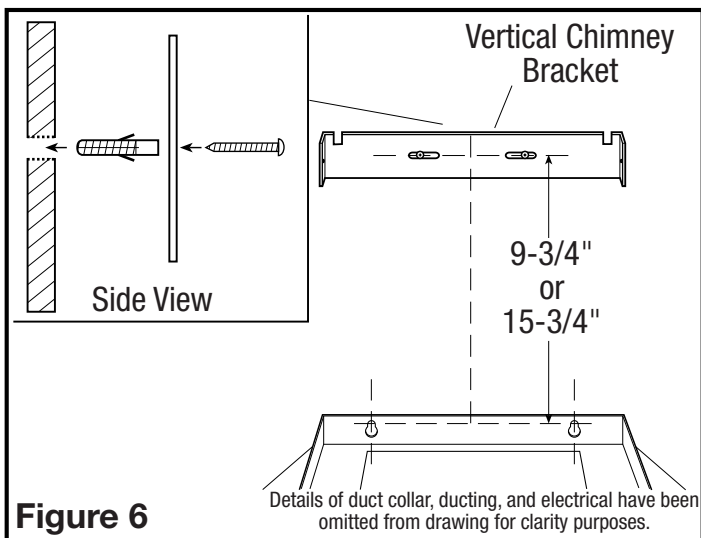
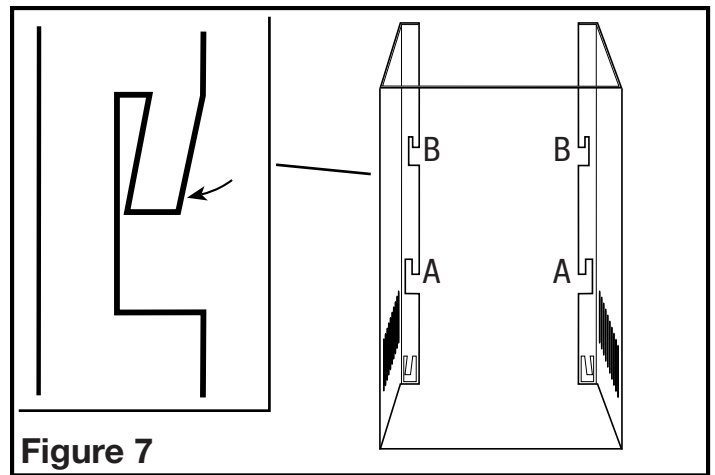


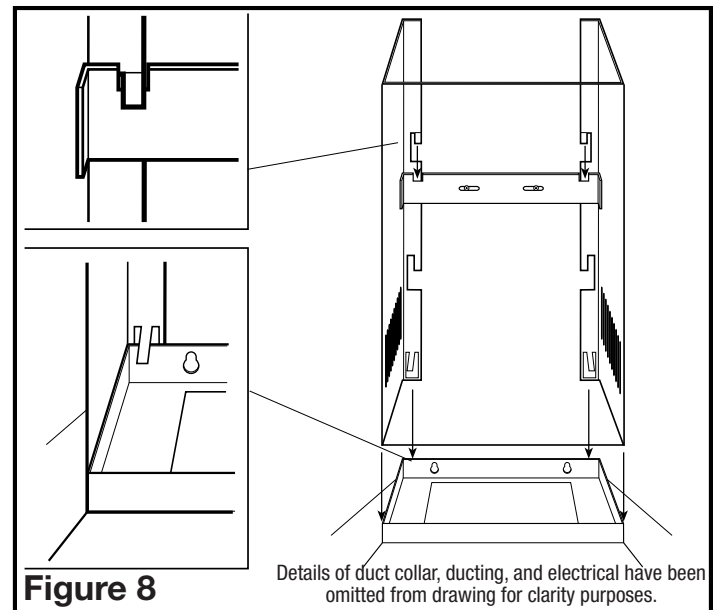
Figure 6

3. Press in appropriate tabs on lower chimney section (section with vent holes). If using the upper chimney, press in tabs in middle of the chimney (Position A), otherwise press in tabs at top of the chimney (Position B). Press in tabs at the bottom of the chimney so there is approximately 1/4" of clearance (**Figure 7**).

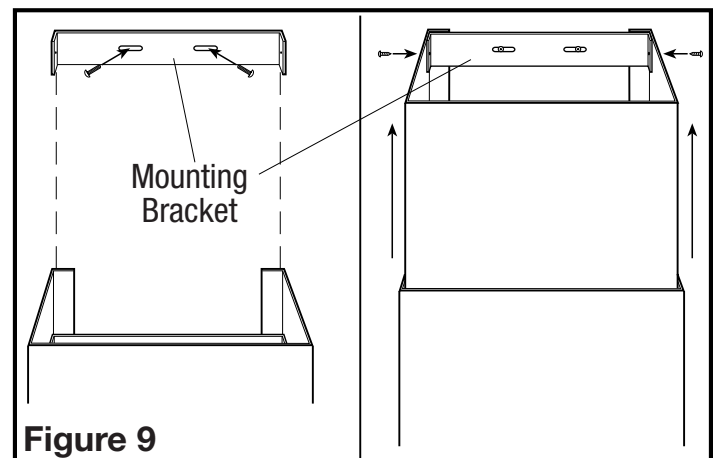


NOTE: If the top chimney section (included) will be installed, slide the top section inside of the bottom section at this point.

3. Slide chimney in place so top tabs of the chimney are secured in place on the indents of the vertical chimney bracket and the backside of the chimney fits between the hood and the wall with the bottom tabs overlapping the back lip of the hood (**Figure 8**).



4. To install the upper section, mark the location of the included horizontal mounting bracket using the bracket as a template. Make sure the bracket is level and in line with the bottom section. The height will be dependent on your installation requirements. Make sure the slots in the side of the chimney will match the holes in the mounting bracket. If installing onto drywall, drill holes into wall using a 3/16" drill bit. Install wall anchors into the drilled holes (one for each hole). Secure bracket into place with (2) provided #6 x 1" screws. If installing into other material (brick, cement, plaster, etc.) choose an appropriate fastener capable of supporting the weight of the chimney (**Figure 9**).



5. Raise top chimney in place over horizontal mounting bracket and secure in place with the two included #6 x 3/8" screws (Figure 9).

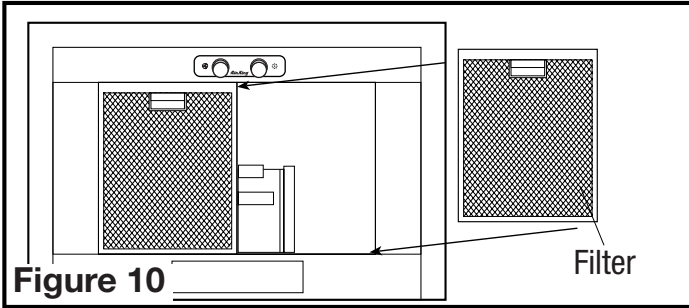
SECTION 6

Finishing the Installation

1. Install the appropriate filters.

Charcoal Filters: If the range hood will be run ductless, remove and discard the grease filters that were included with the unit and install model BCCF-02 charcoal filters instead.

Grease Filters: If the range hood will be vented to the exterior of the home, install the grease filters supplied with the hood by sliding tab at rear of filter into slot in hood. While holding in handle of filter, lift filter into place and release handle. the filter should snap securely into place (Figure 10).



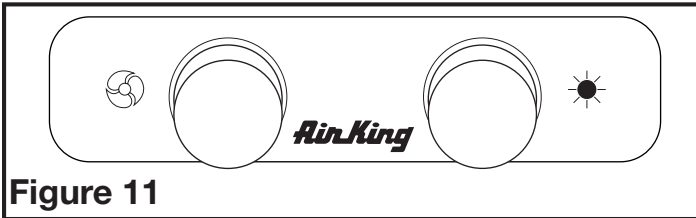
2. Remove any protective plastic adhered to the range hood.
3. Turn switches to the OFF (●) position and restore power. Test that the light and the fan are operating properly.
4. If there is any vibration noise, check for the source and try to tighten fasteners or adjust the tape to make a tighter connection or seal.

SECTION 7

Operation

Controls

Your Range Hood is equipped with two rotary switches with one controlling the lighting and the other controlling the exhaust fan blower. The light switch has three positions, High, Low, and Off. The fan switch has four positions, Off, High, Medium, and Low (Figure 11).



SECTION 8

Maintenance

CAUTION: MAKE SURE POWER IS SWITCHED OFF AT SERVICE PANEL BEFORE SERVICING THE UNIT.

Grease Filters

Included with your range hood are aluminum grease filters that should be washed at least once a month. The filters are dishwasher safe and should be washed in a mild soap or detergent. Refer to *Step 3 of Section 1 Preparing the Range Hood*, to remove filters. If the grease filters become damaged, replace with Air King Model BCGF-01 Grease Filter.

Charcoal Odor Filter

If you have installed the optional charcoal odor filters, they cannot be washed and must be discarded and replaced when they become noticeably dirty, have stopped filtering the odors, or at least once per year. Replace with Air King Model BCCF-02 Odor Filters.

Changing the Lamp

Remove the lamp cover on the underside of the hood. Remove lamp by gently twisting the lamp base counterclockwise while applying outward pressure. Installation is the reverse of removal. Replace with Air King model 26SBL or a compatible GU24 26 watt self ballasted lamp.

Night Light: Unscrew night light bulb from socket and replace with a 4 watt maximum type C7 (candelabra base) night light bulb.

Fuse

To replace the fuse, turn the fuse cap located next to the wire connector counter clockwise and pull out. Replace with a Bussman MDA 125-Volt, 1.5 Amp Max. fuse (models VAL30AB and VAL36AB utilize a 3 Amp Max fuse). Reinstall the fuse back into the hood.

Cleaning

CAUTION: DO NOT USE GASOLINE, BENZINE, THINNER, HARSH CLEANSERS, ETC., AS THEY MAY DAMAGE THE RANGE HOOD.

1. Clean your range hood with a mild detergent, such as dishwashing liquid, and dry with a soft cloth. **NEVER USE ANY ABRASIVE PADS OR SCOURING POWDERS.** Completely dry before restoring power. **NEVER IMMERSE ELECTRICAL PARTS IN WATER.**
2. The fan assembly can be vacuumed when build up (dirt, lint, etc.) accumulates over time. The fan is permanently lubricated and does not require oiling.

Troubleshooting Guide

Trouble	Probable Cause	Suggested Remedy
1. Hood does not operate when the switch is on.	1a. A fuse may be blown or a circuit tripped. 1b. Wiring is not connected properly.	1a. Replace fuse or reset circuit breaker. 1b. Turn off power to unit. Check that all wires are connected.
2. Hood is operating, but air moves slower than normal.	2. Obstruction in the exhaust ducting.	2. Check for any obstructions in the ducting including filter.
3. Hood is making a rattling noise.	3a. Filters are loose. 3b. Duct connection is loose.	3a. Turn off power to unit. Check that all filter are securely in place. 3b. Turn off power to unit. Check that duct connection is tight.

Installer: _____

Installation Date: _____

Place of Purchase: _____

Model Number: _____

LIMITED WARRANTY

WHAT THIS WARRANTY COVERS: This product is warranted against defects in workmanship and/or materials.

HOW LONG THIS WARRANTY LASTS: This warranty extends only to the original purchaser of the product and lasts for one (1) year from the date of original purchase or until the original purchaser of the product sells or transfers the product, whichever first occurs.

WHAT AIR KING WILL DO: During the warranty period, Air King will, at its sole option, repair or replace any part or parts that prove to be defective or replace the whole product with the same or comparable model.

WHAT THIS WARRANTY DOES NOT COVER: This warranty does not apply if the product was damaged or failed because of accident, improper handling or operation, shipping damage, abuse, misuse, unauthorized repairs made or attempted. This warranty does not cover shipping costs for the return of products to Air King for repair or replacement. Air King will pay return shipping charges from Air King following warranty repairs or replacement.

ANY AND ALL WARRANTIES, EXPRESSED OR IMPLIED (INCLUDING, WITHOUT LIMITATION, ANY IMPLIED WARRANTY OF MERCHANTABILITY), LAST ONE YEAR FROM THE DATE OF ORIGINAL PURCHASE OR UNTIL THE ORIGINAL PURCHASER OF THE PRODUCT SELLS OR TRANSFERS THE PRODUCT, WHICHEVER FIRST OCCURS AND IN NO EVENT SHALL AIR KING'S LIABILITY UNDER ANY EXPRESS OR IMPLIED WARRANTY INCLUDE (I) INCIDENTAL OR CONSEQUENTIAL DAMAGES FROM ANY CAUSE WHATSOEVER, OR (II) REPLACEMENT OR REPAIR OF ANY HOUSE FUSES, CIRCUIT BREAKERS OR RECEPTACLES. NOTWITHSTANDING ANYTHING TO THE CONTRARY, IN NO EVENT SHALL AIR KING'S LIABILITY UNDER ANY EXPRESS OR IMPLIED WARRANTY EXCEED THE PURCHASE PRICE OF THE PRODUCT AND ANY SUCH LIABILITY SHALL TERMINATE UPON THE EXPIRATION OF THE WARRANTY PERIOD.

Some states and provinces do not allow limitations on how long an implied warranty lasts, or the exclusion or limitation of incidental or consequential damages, so these exclusions or limitations may not apply to you. This warranty gives you specific legal rights. You may also have other rights which vary from state to state and province to province. Proof of purchase is required before a warranty claim will be accepted.

CUSTOMER SERVICE:

Toll-Free (800) 465-7300

Our Customer Service team is available to assist you with product questions, service center locations, and replacement parts. They can be reached Monday through Friday, 8am-4pm Eastern. Please have your model number available, as well as the type and style (located on the label inside of your product).

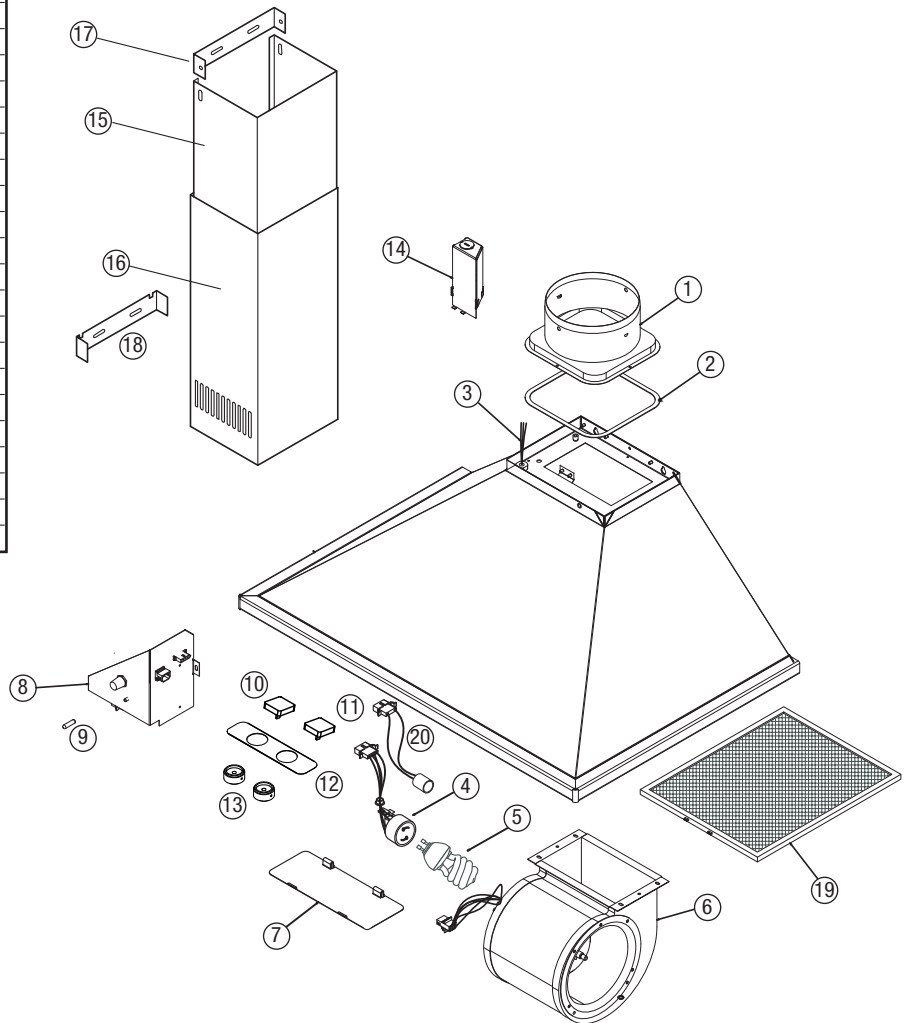
Please do not return product to place of purchase.

www.airkinglimited.com

PARTS FOR DISCONTINUED, OBSOLETE AND CERTAIN OTHER PRODUCTS MAY NOT BE AVAILABLE. DUE TO SAFETY REASONS, MANY ELECTRONIC COMPONENTS AND MOST HEATER COMPONENTS ARE NOT AVAILABLE TO CONSUMERS FOR INSTALLATION OR REPLACEMENT.

#	Qty.	Description	Replacement Part #
1	1	Collar Assembly	5S5299100
2	1	Gasket	5S1202054
3	1	Harness	5S1140140
4	1	GU24 Lamp Holder	5S1199702
5	1	26 Watt Bulb	5S9999010
6	1	Blower Assembly	5S1140018
7	1	Lens Cover	5S1112011
8	1	Wire Assembly (30" models)	5S1140012
	1	Wire Assembly (36" models)	5S1140013
9	1	Fuse	5S1140021
10	1	Fan Switch	5S1136070
11	1	Light Switch	5S1141013
12	1	Switch Plate	5S1142010
13	2	Knob	5S1142011
14	1	Wire cover	5S1140019
15	1	Upper Chimney - Stainless Steel	5S1140023
16	1	Lower Chimney - Stainless Steel	5S1140025
17	1	Mounting Bracket - Upper	5S1140027
18	1	Mounting Bracket - Lower	5S1140028
19	*	Grease Filter	5S1140022
20	1	Night Light	5S1138009

* Quantity will vary depending on specific model



INSTRUCCIONES IMPORTANTES – MANUAL DE OPERACIÓN

Modelés: ESVAL30,
ESVAL36



Hotte de cuisinière

LIRE ET CONSERVER CES INSTRUCTIONS

LIRE SOIGNEUSEMENT AVANT DE TENTER D'ASSEMBLER, INSTALLER, OPÉRER OU DE RÉPARER LE PRODUIT DÉCRIT. PROTÉGEZ VOUS-MÊME ET LES AUTRES EN OBSERVANT TOUTE L'INFORMATION DE SÉCURITÉ. FAILLIR À SE CONFORMER AUX INSTRUCTIONS PEUT RÉSULTER EN BLESSURE PERSONNELLE GRAVE ET/OU EN DOMMAGE À LA PROPRIÉTÉ.

CONSERVER CES INSTRUCTIONS POUR RÉFÉRENCES FUTURES.

INSTRUCTIONS GÉNÉRALES DE SÉCURITÉ

Lors de l'utilisation d'appareils électriques, des précautions de base doivent toujours être suivies pour réduire les risques d'incendie, de choc électrique et de blessures corporelles, incluant ce qui suit:

AVERTISSEMENT: POUR RÉDUIRE LES RISQUES D'INCENDIE, DE CHOC ÉLECTRIQUE OU DE BLESSURES PERSONNELLES OBSERVER CE QUI SUIT:

- Utiliser cette unité seulement de la manière pour laquelle le fabricant l'a conçu. Si vous aviez des questions, veuillez contacter le fabricant.
- Avant d'effectuer un service ou de nettoyer l'unité, couper l'alimentation électrique dans le panneau de distribution et verrouiller le dispositif de déconnexion afin d'éviter que l'alimentation ne revienne accidentellement. Lorsque le dispositif ne peut être verrouillé, fixer solidement un avis d'avertissement, tel qu'une étiquette, au panneau de distribution.

AVERTISSEMENT: POUR RÉDUIRE LES RISQUES D'INCENDIE, DE CHOC ÉLECTRIQUE OU DE BLESSURES PERSONNELLES OBSERVER CE QUI SUIT:

- Le travail d'installation et le câblage électrique doivent être effectués par une(des) personne(s) qualifiée(s) en conformité avec tous les codes et normes applicables, incluant la construction relative aux incendies.
- De l'air en quantité suffisante est requis pour la bonne combustion et l'évacuation de gaz par le conduit (cheminée) provenant d'équipement de brûlage au combustible pour prévenir un refoulement. Suivre les directives du fabricant de l'équipement de chauffage et les normes de sécurité telles que celles publiées par la National Fire Protection Association (NFPA) et de la American Society for Heating, Refrigeration, and Air Conditioning Engineers (ASHRAE), et de celles des autorités locales du code.
- Lorsque vous coupez ou percez un mur ou un plafond, prenez garde de ne pas endommager les fils électriques ou tout appareil qui pourrait être dissimulé.

AVERTISSEMENT: POUR RÉDUIRE LES RISQUES D'INCENDIE ET POUR ÉVACUER L'AIR ADÉQUATEMENT, ASSUREZ-VOUS D'ÉVACUER L'AIR VERS L'EXTÉRIEUR – NE PAS ÉVACUER L'AIR DANS DES ESPACES DANS LES MURS, LES PLAFONDS OU LES GRENIERS, LES GALERIES TECHNIQUES OU LES GARAGES.

- Les ventilateurs avec conduits doivent toujours être évacués vers l'extérieur.
- Cette unité doit être mise à la terre.
- Pour éviter des dommages aux roulements des moteurs et/ou des hélices bruyantes ou déséquilibrées, empêcher la poussière de cloison sèche, poussière de construction, etc., d'atteindre l'unité de puissance.
- Lire toutes les instructions avant d'installer ou d'utiliser la hotte de cuisine.

AVERTISSEMENT: POUR RÉDUIRE LES RISQUES D'INCENDIE OU DE CHOC ÉLECTRIQUE, NE PAS UTILISER CE VENTILATEUR AVEC UN RÉGULATEUR DE VITESSE ÉLECTRONIQUE.

AVERTISSEMENT: POUR RÉDUIRE LES RISQUES D'INCENDIE DE GRAISSE SUR LE DESSUS DE LA CUISINIÈRE:

- Ne jamais laisser les unités de surface à des degrés élevés sans surveillance. Les débordements par bouillonnement produisent de la fumée et des débordements graisseux qui peuvent s'enflammer. Chauffer les huiles lentement à des degrés faibles ou modérés.
- Toujours mettre la hotte EN MARCHÉ lors de cuisson à haute température ou lors de flambage de nourriture (par ex., des Crêpes Suzette, de Cerises Jubilées, steak flambé, etc.)
- Nettoyer les ventilateurs d'évacuation fréquemment. Aucune accumulation de graisse ne devrait être tolérée sur les filtres du ventilateur.
- Utiliser des poêlons de taille appropriée. Toujours utiliser les batteries de cuisine appropriées pour la taille de l'élément de surface.

AVERTISSEMENT: POUR RÉDUIRE LES RISQUES DE BLESSURES PERSONNELLES DANS L'ÉVENTUALITÉ D'UN FEU DE GRAISSE SUR LA SURFACE DE CUISSON, SUIVRE LES INDICATIONS SUIVANTES:

- ÉTOUFFER LES FLAMMES avec un couvercle bien ajusté, une tôle à biscuits, ou un cabaret de métal, puis, mettre le gril hors fonction. PRENEZ SOIN D'ÉVITER LES BRÛLURES. Si les flammes ne s'éteignent pas immédiatement, ÉVACUER ET APPELER LE SERVICE DES INCENDIES.
- NE JAMAIS SAISIR UN POËLON EN FLAMME – vous pourriez être brûlé.
- NE PAS UTILISER DE L'EAU, incluant les linges à vaisselle ou les serviettes mouillées – il en résulterait une violente explosion de vapeur.
- Utiliser un extincteur SEULEMENT Si:
 - Vous savez que vous avez un extincteur de classe ABC, et que vous savez déjà comment l'opérer.
 - Le feu est petit et contenu dans la zone où il a commencé.
 - On appelle le service des incendies.
 - Vous pouvez combattre l'incendie avec une sortie derrière vous.

AVERTISSEMENT: POUR RÉDUIRE LES RISQUES D'INCENDIE, UTILISER UNIQUEMENT DES CONDUITS EN MÉTAL.

CONSERVER CES INSTRUCTIONS

INSTRUCTIONS D'INSTALLATION

AVERTISSEMENT: VOUS ASSURER QUE L'ALIMENTATION EST COUPÉE AU PANNEAU DE SERVICE AVANT DE COMMENCER L'INSTALLATION.

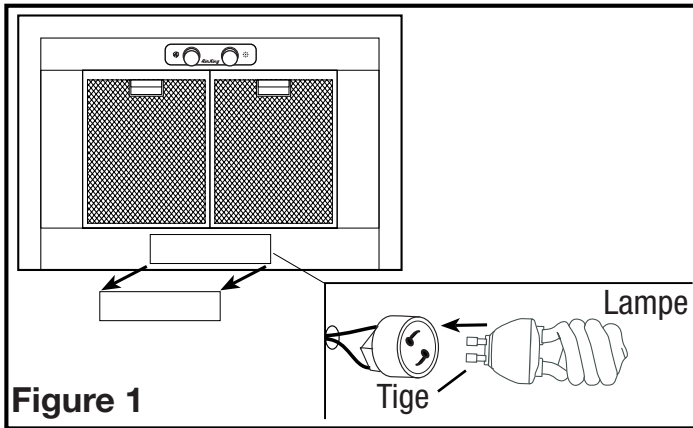
SECTION 1

Préparer la Hotte de Cuisine

- Déballer la hotte de sa boîte et confirmer que toutes les pièces sont présentes. En plus de la hotte de cuisine vous devriez avoir:
 - Sections de cheminée
 - Contenu de l'emballage :
 - Collet de conduit
 - Supports de cheminée
 - Compartiment à câblage
 - Vis de montage #6 x 1" avec les ancrages de mur
 - Vis #6 x 3/8" (cheminée du haut)
 - Vis #8-32
- Modèles de 76,20 cm (30 po) : 2 - filtres anti-graisse en aluminium (expédiés installés)
- Modèles de 91,44 cm (36 po) : 3 - filtres anti-graisse en aluminium (expédiés installés)
- Base GU24, lampe fluorescente de 26W
 - Feuille d'instructions/ sécurité

REMARQUE : Certaines hottes peuvent être expédiées avec un plastique protecteur collé sur la hotte. Il est recommandé de la laisser en place durant l'installation pour protéger la hotte contre les égratignures. L'enlever lorsque l'installation sera complétée.

- Déposez la hotte à plat sur la table de manière à ce que la partie inférieure soit face à vous. Placez un morceau de carton en dessous afin d'éviter d'endommager la table ou la hotte.
- Enlevez le couvercle de la lentille sur le dessous de la hotte et installez la lampe fluorescente de 26 watts incluse (**Figure 1**).



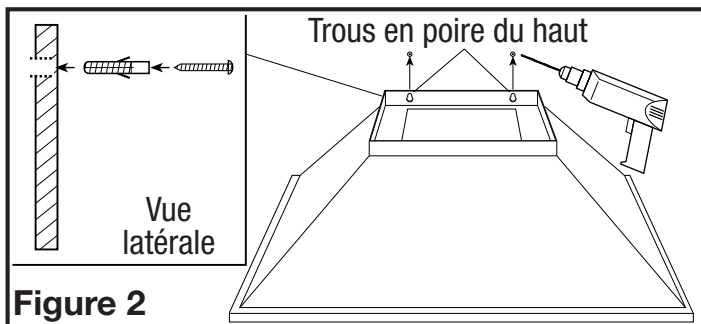
SECTION 2

Installation de la Hotte de Cuisine

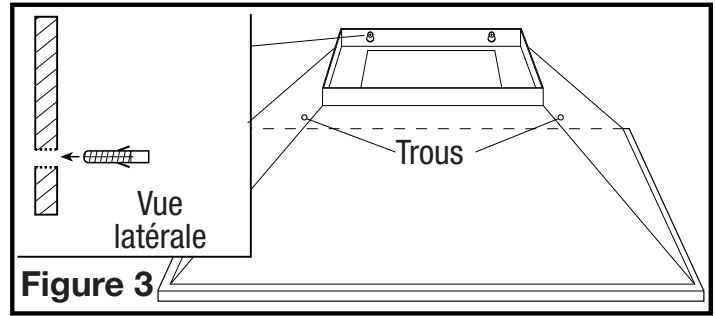
AVERTISSEMENT: VOUS ASSURER QUE L'ALIMENTATION EST COUPÉE AU PANNEAU DE SERVICE AVANT DE COMMENCER L'INSTALLATION.

AVERTISSEMENT: LORS DE COUPE OU DE PERÇAGE DES MURS ET PLAFONDS, NE PAS ENDOMMAGER LE FILAGE ÉLECTRIQUE ET AUTRES UTILITÉS CACHÉES.

- Localisez et marquez les positions supérieures des trous sur le mur. Si vous installez sur une cloison sèche, percez des trous dans le mur en utilisant un foret de 3/16 po. Installez les ancrages de mur dans les trous forés (un pour chaque trou). Installez (2) vis fournies #6 x 1 po, en laissant un espace de 1/8 po entre la tête de la vis et le mur. Si vous installez sur d'autres matériaux (brique, ciment, plâtre, etc.) choisissez une fixation appropriée capable de soutenir le poids de la hotte. Alignez les trous de la serrure dans la hotte avec les vis et mettez-les en place. Accrochez la hotte au-dessus des ancrages des trous et vérifiez que la hotte est centrée, aplomb et à niveau (**Figure 2**).



- Avec la hotte accrochée en place à partir des vis supérieures, marquez l'endroit des trous inférieurs. Si vous installez sur une cloison sèche, percez des trous dans le mur en utilisant un foret de 3/16 po. Installez les ancrages de mur dans les trous forés (un pour chaque trou). Si vous installez sur d'autres matériaux (brique, ciment, plâtre, etc.) choisissez une fixation appropriée capable de soutenir le poids de la hotte. Accrochez la hotte au-dessus des ancrages des trous et vérifiez que la hotte est centrée, à niveau et les trous inférieurs alignent avec les ancrages. Installez les vis fournies #6 x 1 po dans les ancrages (**Figure 3**). Serrez toutes les vis complètement et réinstallez les filtres de graisse.



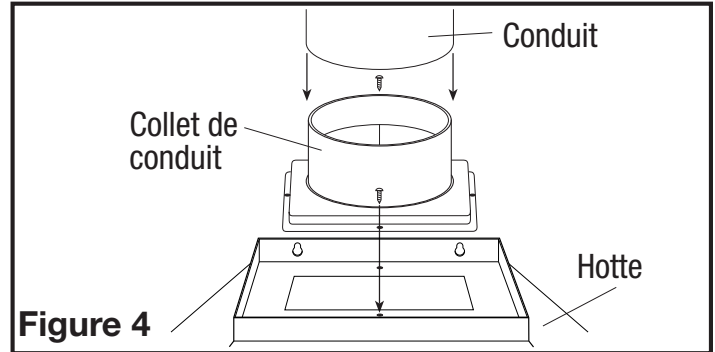
SECTION 3

Conduits

AVERTISSEMENT: TOUS LES CONDUITS DOIVENT ÊTRE CONFORMES AUX CODES DU BÂTIMENT LOCAUX ET NATIONAUX.

AVERTISSEMENT: POUR RÉDUIRE LES RISQUES D'INCENDIE, UTILISER UNIQUEMENT DES CONDUITS EN MÉTAL.

- Installez le collier de conduit inclus sur la hotte avec les quatre vis #6 à pointe arrondie fournis (**Figure 4**).



- Raccorder le conduit au collet de conduit et le serrer en place en utilisant du ruban adhésif pour sceller tous les joints (**Figure 4**).

REMARQUE : Pour réaliser la circulation d'air appropriée, vous avez besoin d'un conduit circulaire de 6 po. Le raccord de conduit est de 5,8 po de diamètre (pour un conduit circulaire de 6 po) avec le centre situé à 3-3/16 po du mur arrière. Pour garantir la meilleure qualité d'air et performance acoustique, il est recommandé que la longueur de la canalisation et le nombre de coudes soient réduits au minimum, que le rayon de chaque coude soit aussi grand que possible pour l'installation, et que des conduits rigides soient utilisés.

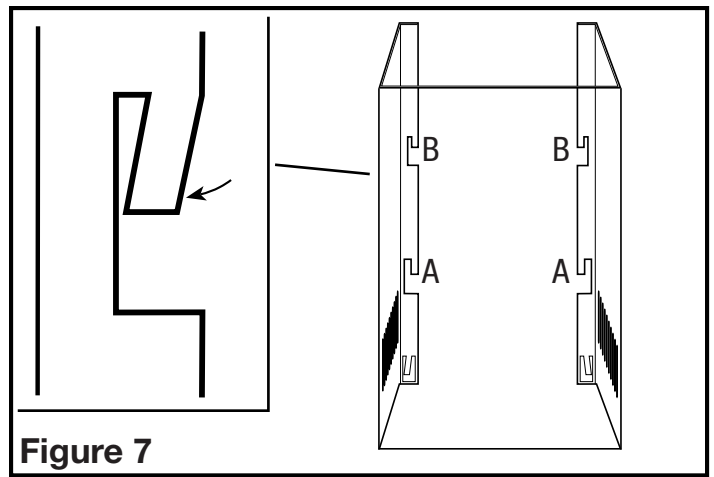
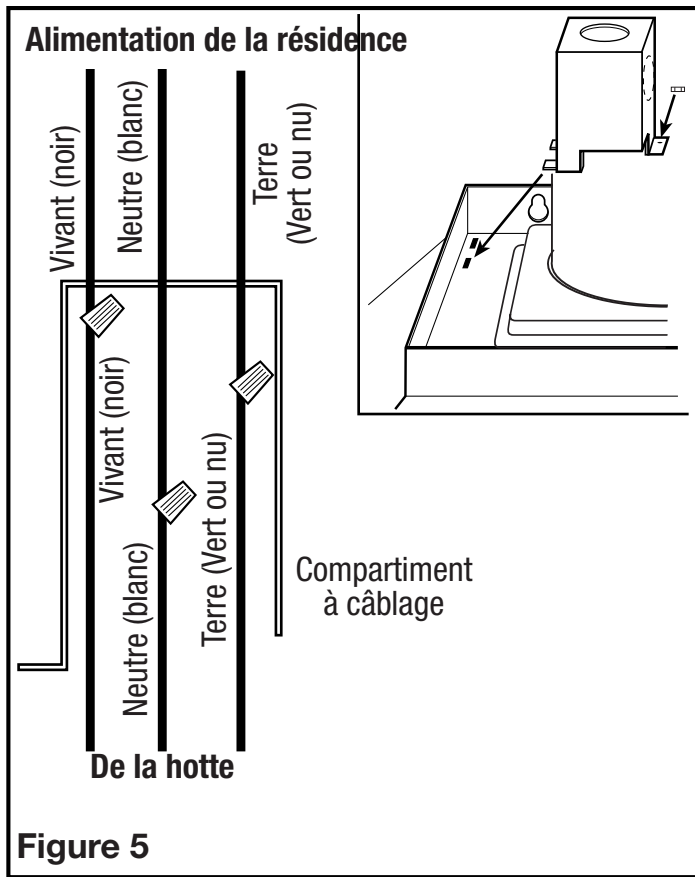
AVERTISSEMENT: TOUJOURS PASSER LES CONDUITS DU VENTILATEUR VERS L'EXTÉRIEUR EN UTILISANT UN CAPUCHON MURAL OU DE TOIT.

SECTION 4

Câblage

AVERTISSEMENT: TOUTES LES CONNEXIONS DOIVENT ÊTRE FAITES EN CONFORMITÉ AVEC LES CODES ÉLECTRIQUES LOCAUX OU NATIONAUX. SI VOUS N'ÊTES PAS FAMILIER AVEC LES MÉTHODES D'INSTALLATION DE CÂBLAGE ÉLECTRIQUE, RECOURREZ AUX SERVICES D'UN ÉLECTRICIEN QUALIFIÉ.

- Enlevez la couverture du compartiment du fil en enlevant la vis puis la glissant vers l'extérieur. Choisissez l'entrée défonçable électrique la plus commode et enlevez-la en utilisant un tournevis de lame droite.
- Installez le câblage d'une source approuvée portant les caractéristiques appropriées. Un neutre (blanc), une terre (vert ou cuivre nu), et un chaud (noir). Fixez les fils électriques au compartiment du fil avec un connecteur électrique approuvé. Assurez-vous de laisser assez de câblage dans la boîte pour établir la connexion à la hotte.
- Reliez le fil blanc de la hotte au fil blanc de l'alimentation, et le fil noir de la hotte au fil noir de l'alimentation. Reliez le fil de terre de la maison (vert ou nu) et le fil vert de la hotte. Utilisez les méthodes approuvées pour tous les raccordements. Réinstallez le compartiment du fil en glissant les languettes de nouveau dans les trous puis réinstallez alors la vis qui a été enlevée plus tôt. Assurez-vous que tout le câblage est contenu en sûreté dans le compartiment de fil (**Figure 5**).



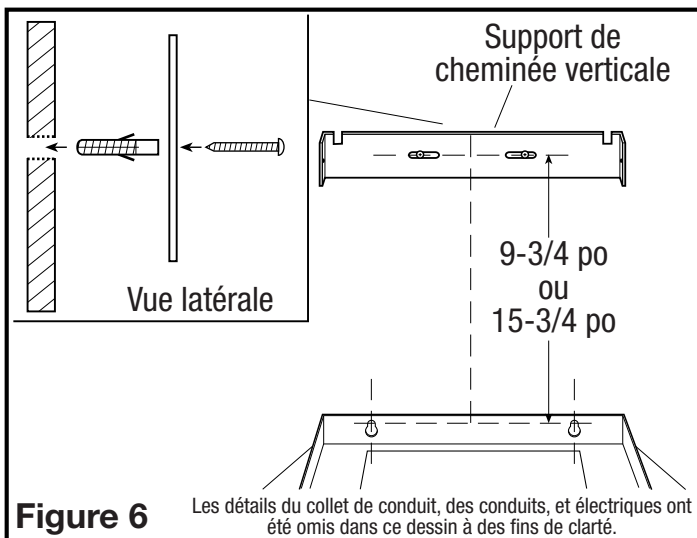
NOTE : Si la section supérieure de la cheminée (incluse) sera installée, glissez la section supérieure à l'intérieur de la section inférieure à ce moment.

3. Glissez la cheminée en place de façon à ce que les languettes de dessus de cheminée soient fixées en place sur les creux du support vertical de la cheminée et le derrière de la cheminée ajusté entre la hotte et le mur avec les languettes du fond recouvrant le bord arrière de la hotte (**Figure 8**).

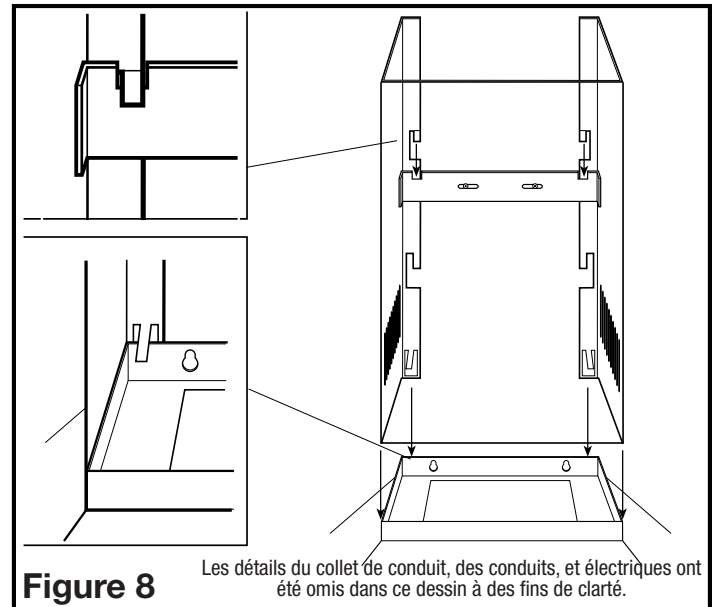
SECTION 5

Attachement de la cheminée

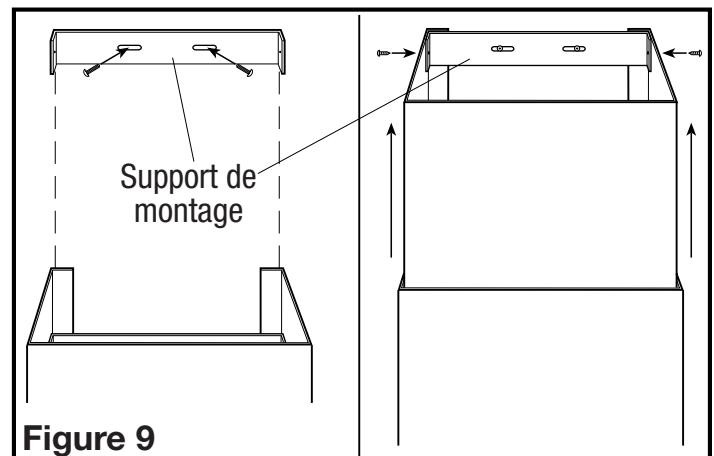
1. Marquez l'endroit pour le support vertical de cheminée :
Si vous utilisez la section supérieure de la cheminée : 9-3/4 po
Si vous n'utilisez pas la section supérieure de la cheminée : 15-3/4 po
2. Si vous installez sur une cloison sèche, percez des trous dans le mur en utilisant un foret de 3/16 po. Installez les supports de mur dans les trous forés (un pour chaque trou). Fixez le support en place avec (2) vis #6 x 1 po fournies. Si vous installez sur d'autres matériaux (brique, ciment, plâtre, etc.) choisissez une fixation appropriée capable de soutenir le poids de la cheminée (**Figure 6**).



3. Enfoncez les languettes appropriées dans la section inférieure de la cheminée (section avec des trous d'aération). Si vous utilisez la cheminée supérieure, enfoncez les languettes au milieu de la cheminée (position A), autrement enfoncez les languettes au sommet de la cheminée (position B). Enfoncez les languettes au fond de la cheminée de façon à avoir approximativement 1/4 po d'espace (**Figure 7**).



4. Pour installer la section supérieure, marquez l'endroit du support horizontal inclus en utilisant le support comme calibre. Assurez-vous que le support est à niveau et en conformité avec la section inférieure. La taille dépendra de vos conditions d'installation. Assurez-vous que les fentes dans le côté de la cheminée correspondent aux trous dans le support. Si vous installez sur une cloison sèche, percez des trous dans le mur en utilisant un foret de 3/16 po. Installez les ancrages du mur sur les trous forés (un pour chaque trou). Fixez le support en place avec (2) vis #6 x 1 po fournies. Si vous installez sur d'autres matériaux (brique, ciment, plâtre, etc.) choisissez une fixation appropriée capable de soutenir le poids de la cheminée (**Figure 9**).



- Soulever la cheminée du haut en place sur le support de montage horizontal et fixer en place avec les deux vis de #6 x 3/8 po comprises (Figure 9).

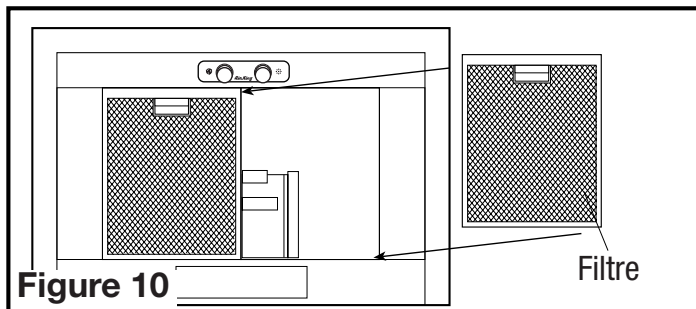
SECTION 6

Finition de l'installation

- Installer les filtres appropriés.

Filtres de charbon de bois : Si la hotte sera sans conduits, enlevez et jetez les filtres de graisse qui ont été inclus avec l'unité et installez les filtres de charbon de bois modèle BCCF-02 à la place.

Filtres de graisse : Si la hotte sera ventilée à l'extérieur de la maison, installez les filtres de graisse fournis avec la hotte en glissant la languette à l'arrière du filtre dans la fente dans la hotte. Tout en tenant la poignée du filtre, soulevez le filtre en place et relâchez la poignée. Le filtre devrait se casser solidement dans l'endroit (Figure 10).



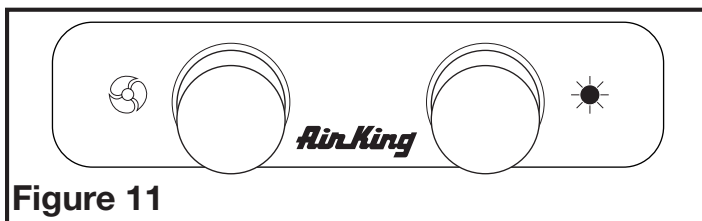
- Enlever tout plastique protecteur collé à la hotte de cuisine.
- Mettre les commutateurs à la position Eteint (OFF) (●) et remettre l'alimentation. Tester pour s'assurer que la lampe et le ventilateur fonctionnent normalement.
- En cas de bruit de vibration, vérifier pour la source et tenter de resserrer les attaches ou d'ajuster le ruban adhésif pour faire un joint ou un raccord plus serré.

SECTION 7

Opération

Contrôles

Votre hotte de cuisinière est équipée avec deux interrupteurs rotatifs dont l'un contrôle l'éclairage et l'autre contrôle la soufflante du ventilateur d'évacuation. L'interrupteur de l'éclairage a 3 positions, Haute, Basse, et Éteinte. Le commutateur de vitesse du ventilateur a quatre positions, Éteinte, Haute, Moyenne, et Basse (Figure 11).



SECTION 8

Entretien

AVERTISSEMENT: VOUS ASSURER QUE L'ALIMENTATION EST COUPÉE AU PANNEAU DE SERVICE AVANT DE FAIRE L'ENTRETIEN SUR L'UNITÉ.

Filtre anti-graisse

Des filtres anti-graisse en aluminium sont compris avec votre hotte de cuisine et ils devraient être lavés au moins une fois par mois. Les filtres vont au lave-vaisselle et doivent être lavés avec un détergent ou savon doux. Référez-vous à la *Étape 3* de la **Section 1 Préparation de la hotte de cuisine**, pour enlever les filtres. Si les filtres anti-graisse deviennent endommagés, les remplacer avec le filtre anti-graisse modèle BCGF-01 de Air King.

Filtre anti-odeurs au charbon

Si vous avez installé les filtres anti-odeurs au charbon optionnels, ils ne peuvent pas être lavés et doivent être jetés et remplacés lorsqu'ils deviennent sales de façon remarquable, qu'ils aient cessé de filtrer les odeurs, ou au moins une fois par année. Remplacer les filtres anti-odeurs avec le modèle BCCF-02 de Air King.

Changement de la lampe

Enlevez le couvercle de la lampe sur le dessous de la hotte. Enlevez la lampe en tournant doucement la base de lampe dans le sens contraire des aiguilles d'une montre tout en appliquant une pression extérieure. L'installation est l'inverse du démontage. Remplacez par une lampe à lumière mixte de 26 watts du modèle Air King 26SBL ou d'un modèle compatible GU24.

Lampe veilleuse : dévissez l'ampoule de la veilleuse de la douille et remplacez-la par une ampoule de veilleuse de type C7 (à petit culot) d'un maximum de 4 watts.

Fusible

Pour remplacer le fusible, tournez le bouchon du fusible situé à côté du connecteur de fil dans le sens des aiguilles d'une montre et retirez-le. Remplacez par un fusible Bussman MDA 125-Volt, 1.5 ampères au maximum. Réinstallez le fusible de nouveau dans la hotte.

Nettoyage

AVERTISSEMENT: NE PAS UTILISER D'ESSENCE, BENZÈNE, DILUANT, DE NETTOYANT FORT, ETC., PUISQU'ILS POURRAIENT ENDOMMAGER LA HOTTE DE CUISINE.

- Nettoyer votre hotte de cuisine avec un détergent doux, tel que du liquide à vaisselle, et le sécher avec un chiffon doux. **NE JAMAIS UTILISER DE TAMPON ABRASIF OU DE POUDRE À RÉCUSER.** Sécher complètement avant de remettre l'alimentation. **NE JAMAIS IMMERGER LES PARTIES ÉLECTRIQUES DANS L'EAU.**
- Vous pouvez utiliser un aspirateur pour nettoyer l'assemblage du ventilateur si une accumulation (saletés, mousse, etc.) s'est produite avec le temps. Le ventilateur est lubrifié de manière permanente et ne requiert pas d'huilage.

Guide de dépannage

Trouble	Cause possible	Solution suggérée
1. La hotte ne fonctionne pas lorsque l'interrupteur est à EN (ON).	1a. Un fusible peut être grillé ou un disjoncteur peut être déclenché. 1b. Le câblage n'est pas raccordé correctement.	1a. Remplacer le fusible ou réinitialiser le disjoncteur. 1b. Couper l'alimentation de l'unité. Vérifier que tous les fils sont raccordés.
2. La hotte fonctionne, mais l'air circule plus lentement que la normale.	2. Obstruction dans les conduits d'évacuation.	2. Vérifier pour quelque obstruction dans les conduits incluant le filtre.
3. La hotte produit un son de crécelle.	3a. Le moteur est lâche. 3b. Le raccord des conduits est lâche.	3a. Couper l'alimentation de l'unité. Retirer le filtre, vérifier que toutes les vis sont serrées complètement. 3b. Couper l'alimentation de l'unité. Vérifier que tous les raccords des conduits sont bien serrés.

Installateur: _____

Date d'installation: _____

Endroit de l'achat: _____

Numéro de modèle: _____

GARANTIE LIMITÉE

CE QUE COUVRE CETTE GARANTIE : Ce produit est garanti contre tout vice de fabrication ou de matière.

COMBIEN DE TEMPS CETTE GARANTIE DURE : Cette garantie se rapporte seulement à l'acheteur original du produit et dure pendant une (1) année de la date de l'achat original ou jusqu'à ce que l'acheteur original du produit vend ou transfère le produit, celui qui se produit en premier.

QUE FERA AIR KING : Au cours de la période de garantie, Air King, à son choix, réparera ou remplacera n'importe quelle partie ou pièces qui s'avèrent défectueuses ou remplacera le produit entier par le même modèle ou un modèle comparable.

CE QUE CETTE GARANTIE NE COUVRE PAS : Cette garantie ne s'applique pas si le produit était endommagé ou arrête de fonctionner en raison d'un accident, d'une mauvaise manipulation ou opération, de dommages d'expédition, d'abus, de mauvaise utilisation, de réparation faite ou tentées non autorisées. Cette garantie ne couvre pas les coûts d'expédition pour le retour des produits à Air King pour la réparation ou le remplacement. Air King payera les frais d'expédition de retour de Air King après les réparations ou le remplacement de garantie.

TOUTES LES GARANTIES, EXPRESSES OU TACITES (COMPRENANT, SANS LIMITATION, TOUTE GARANTIE TACITE DE VALEUR MARCHANDE), DURENT UN AN DE LA DATE DE L'ACHAT ORIGINAL OU JUSQU'À CE QUE L'ACHETEUR ORIGINAL DU PRODUIT VEND OU TRANSFÈRE LE PRODUIT, CELUI QUI SE PRODUIT EN PREMIER ET DANS AUCUN CAS AIR KING N'ASSUME AUCUNE RESPONSABILITÉ EXPRESSE OU TACITE POUR (I) DES DOMMAGES ACCIDENTELS OU INDIRECTS DE N'IMPORTE QUELLE CAUSE, OU (II) LE REMPLACEMENT OU LA RÉPARATION DE TOUS FUSIBLES, DISJONCTEURS OU RÉCEPTACLES DE MAISON. MALGRÉ N'IMPORTE QUOI À L'EFFET CONTRAIRE, DANS AUCUN CAS LA RESPONSABILITÉ D'AIR KING, SOUS UNE GARANTIE EXPRESSE OU TACITE, NE DÉPASSERA LE PRIX D'ACHAT DU PRODUIT ET UNE TELLE RESPONSABILITÉ SE TERMINERA AVEC L'EXPIRATION DE LA PÉRIODE DE GARANTIE.

Certains états et provinces ne permettent pas les limitations de la période de garantie, ou l'exclusion ou la restriction des dommages accidentels ou indirects, et, par conséquent, les présentes restrictions ne peuvent pas s'appliquer. La présente garantie vous donne des droits légaux spécifiques et peut-être certains autres droits qui peuvent varier selon la province. La preuve d'achat est exigée avant qu'une réclamation de garantie ne soit acceptée.

SERVICE À LA CLIENTÈLE :

Sans frais (800) 465-7300

Notre équipe de service à la clientèle est disponible pour vous aider avec des questions sur le produit, les adresses des centres de service, et les pièces de rechange. Vous pouvez la rejoindre, du lundi au vendredi, de 8h:00 à 16h:00 HNE. Veuillez avoir le numéro du modèle disponible, ainsi que le genre et le style (qui se trouvent sur l'étiquette à l'intérieur de votre produit).

Veuillez ne pas renvoyer le produit à l'endroit de l'achat.

www.airkinglimited.com

IL SE PEUT QUE LES PIÈCES POUR LES PRODUITS DISCONTINUÉS, OBSOLÈTES ET AUTRES PRODUITS NE SOIENT PAS DISPONIBLES. POUR DES RAISONS DE SÛRETÉ, BEAUCOUP DE COMPOSANTS ÉLECTRONIQUES ET LA PLUPART DES COMPOSANTS DES CHAUFFAGES NE SONT PAS À LA DISPOSITION DES CONSOMMATEURS POUR L'INSTALLATION OU LE REMPLACEMENT.

#	Qté.	Description	# de pièce de remplacement
1	1	Assemblage de collier	5S5299100
2	1	Ampoule	5S1202054
3	1	Câble	5S1140140
4	1	Support de lampe GU24	5S1199702
5	1	Lampe fluorescente de 26 watts	5S1140030
6	1	Assemblage de ventilateur	5S1140018
7	1	Couvercle de lentille	5S1112011
8	1	Assemblage de fils électriques (modèles de 30 po)	5S1140012
	1	Assemblage de fils électriques (modèles de 36 po)	5S1140013
9	1	Fusible	5S1140021
10	1	Interrupteur du moteur	5S1136070
11	1	Interrupteur de lampe	5S1141013
12	1	Plaque d'interrupteur	5S1142010
13	2	Bouton	5S1142011
14	1	Couvercle à câblage	5S1140019
15	1	Cheminée du haut - Acier inoxydable	5S1140023
16	1	Cheminée du bas - Acier inoxydable	5S1140025
17	1	Support de montage - haut	5S1140027
18	1	Support de montage - bas	5S1140028
19	*	Filtre anti-graisse	5S1140022
20	1	Lampe veilleuse	5S1138009

* La quantité variera selon le modèle spécifique

