



SPECIFICATIONS
ESVAL SERIES
 WALL MOUNT RANGE HOODS

HVI 2100 CERTIFIED High Speed 300 CFM/4.5 Sones @ 0.10" SP.
 Low Speed 165 CFM/1.3 Sones @ 0.10" SP., 50.0 watts

• **Dimensions**

Overall bottom projection - 19 3/4"
 Height (less chimney) - 9 1/4"
 Available widths - 30" and 36"

• **Hood Body**

All metal cold rolled or stainless steel, finished in powder coat or brushed stainless steel.

• **Motor**

3 speed, permanently split capacitor motor. Rated 120 volts, 60 hz.

• **Lighting**

Includes 26 Watt GU24 base self ballasted lamp (included)

• **Ducting Options**

Vertical ducting: 6" round duct adapter complete with polymeric back draft damper ensuring quiet operation.

• **Blower Wheel**

Dual inlet, electronically balanced polymeric centrifugal blower wheel, 5 3/4" width 59 paddles.

• **Mounting**

Wall mounted. Install 24" to 36" from cooking surface.

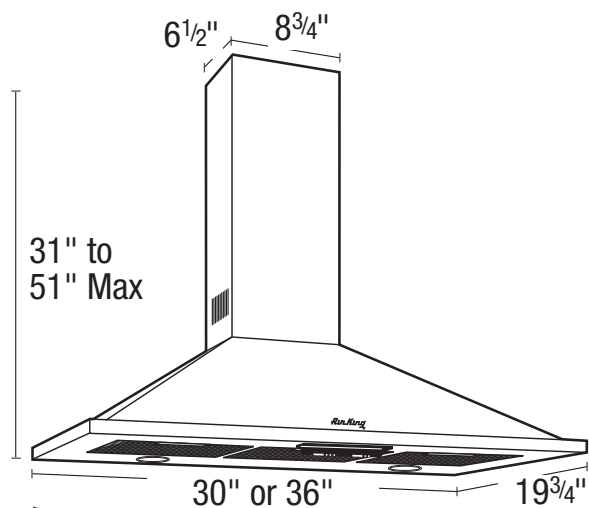
• **Filters**

Grease Filter: Dishwasher safe, BCGF-01 (included).
 Charcoal Filter: BCCF-02 (not included).

• **Available Finishes**

Stainless Steel, White, and Black

Barcelona®
Collection



EXPANDED PERFORMANCE

Air Flow - CFM	Static Pressure (inches of w.g.)						Sones @ .1 SP	Fan Speed RPM	Fan Watts	Full Load Amps
	0	0.03	0.1	0.25	0.375	0.5				
High Speed	318	313	300	268	231	177	4.5	1282	96.0	1.1
Medium Speed	259	255	245	219	186	130	3.6	987	68.8	
Low Speed	180	175	165	139	107	58	1.3	722	50.0	

PROJECT							ARCHITECT				
LOCATION							ENGINEER				
CONTRACTOR							SUBMITTED BY			DATE	
FAN NUMBER	MODEL NUMBER	CFM	IN W.C.	RPM	WATTS	AMPS	SONES	QTY	OPTIONAL EQUIPMENT & REMARKS		



U.S.: 820 Lincoln Avenue
 West Chester, Pennsylvania 19380-4466
 Tel: (610) 692-7400 • 877-304-3785
 Fax: (610) 696-8048

Canada: 8 Edvac Drive
 Brampton, Ontario L6S 5P2
 Tel: (905) 456-2033 • 800-250-8767
 Fax: (905) 456-1015