

IMPORTANT INSTRUCTIONS - OPERATING MANUAL

Seville™ Series



Range Hood

READ AND SAVE THESE INSTRUCTIONS

READ CAREFULLY BEFORE ATTEMPTING TO ASSEMBLE, INSTALL, OPERATE OR MAINTAIN THE PRODUCT DESCRIBED. PROTECT YOURSELF AND OTHERS BY OBSERVING ALL SAFETY INFORMATION. FAILURE TO COMPLY WITH INSTRUCTIONS COULD RESULT IN PERSONAL INJURY AND/OR PROPERTY DAMAGE!

RETAIN INSTRUCTIONS FOR FUTURE REFERENCE.

GENERAL SAFETY INFORMATION

When using electrical appliances, basic precautions should always be followed to reduce the risk of fire, electric shock and injury to person, including the following:

WARNING: TO REDUCE THE RISK OF FIRE, ELECTRIC SHOCK AND INJURY TO PERSON, OBSERVE THE FOLLOWING:

1. Read all instructions before installing or using range hood.
2. Use this unit only in the manner intended by the manufacturer. If you have questions, contact the manufacturer.
3. Before servicing or cleaning the unit, switch power off at service panel and lock the service disconnecting means to prevent power from being switched on accidentally. When the service disconnecting means cannot be locked, securely fasten a prominent warning device, such as a tag, to the service panel.
4. Installation work and electrical wiring must be done by qualified person(s) in accordance with all applicable codes and standards, including fire-related construction.
5. Sufficient air is needed for proper combustion and exhausting of gases through the flue (chimney) of fuel burning equipment to prevent back drafting. Follow the heating equipment manufacturer's guideline and safety standards such as those published by the National Fire Protection Association (NFPA) and the American Society for Heating, Refrigeration, and Air Conditioning Engineers (ASHRAE), and the local code authorities.

CAUTION: FOR GENERAL VENTILATING USE ONLY. DO NOT USE TO EXHAUST HAZARDOUS OR EXPLOSIVE MATERIALS AND VAPORS.

6. When cutting or drilling into wall or ceiling, do not damage electrical wiring and other hidden utilities.

CAUTION: TO REDUCE THE RISK OF FIRE AND TO PROPERLY EXHAUST AIR, BE SURE TO DUCT AIR OUTSIDE - DO NOT VENT EXHAUST AIR INTO SPACES WITHIN WALLS OR CEILINGS OR INTO ATTICS, CRAWL SPACES, OR GARAGES.

7. This unit must be grounded.
8. To avoid motor bearing damage and noisy and/or unbalanced impellers, keep drywall spray, construction dust, etc. off power unit.

WARNING: TO REDUCE THE RISK OF FIRE, ELECTRIC SHOCK, DO NOT USE THIS FAN WITH ANY SOLID-STATE SPEED CONTROL DEVICE.

WARNING: TO REDUCE THE RISK OF A RANGE TOP GREASE FIRE:

- a) Never leave surface units unattended at high settings. Boilovers cause smoking and greasy spillovers that may ignite. Heat oils slowly on low or medium settings.
- b) Always turn hood ON when cooking at high heat or when flambéing food (ie. Crepes Suzette, Cherries Jubilee, Peppercorn Beef Flambé).
- c) Clean ventilating fans frequently. Grease should not be allowed to accumulate on fan filter.
- d) Use proper pan size. Always use cookware appropriate for the size of the surface element.

WARNING: TO REDUCE THE RISK OF INJURY TO PERSONS IN THE EVENT OF A RANGE TOP GREASE FIRE, OBSERVE THE FOLLOWING:

- a) SMOTHER FLAMES with a close-fitting lid, cookie sheet, or metal tray, then turn off burner. BE CAREFUL TO PREVENT BURNS. If the flames do not go out immediately, EVACUATE AND CALL THE FIRE DEPARTMENT.
- b) NEVER PICK UP A FLAMING PAN - You may be burned.
- c) DO NOT USE WATER, including wet dishcloths or towels - a violent steam explosion will result.
- d) Use an extinguisher ONLY if:
 - I. You know you have a Class ABC extinguisher, and you already know how to operate it.
 - II. The fire is small and contained in the area where it started.
 - III. The fire department is being called.
 - IV. You can fight the fire with your back to an exit.

WARNING: TO REDUCE THE RISK OF FIRE, USE ONLY METAL DUCTWORK.

SAVE THESE INSTRUCTIONS

INSTALLATION INSTRUCTIONS

CAUTION: MAKE SURE POWER IS SWITCHED OFF AT SERVICE PANEL BEFORE STARTING INSTALLATION.

SECTION 1

Preparing the Range Hood

1. Unpack hood from the carton and confirm that all pieces are present. In addition to the range hood you should have:
 - 1 - Package containing:
 - 1 - duct collar
 - 4 - 3 mm x 11 mm mounting screws
 - 4 - 4 mm x 15 mm mounting screws
 - 24 models: 2 - Aluminum Grease Filters (shipped installed)
 - 30 models: 3 - Aluminum Grease Filters (shipped installed)
 - 2 -50 watt Halogen lamps
 - 1 - Instruction/Safety Sheet

NOTE: Some hoods may be shipped with a protective plastic adhered to the underside of the unit. It is recommended to leave this in place during installation to protect it from scratching. Remove when the installation is complete.

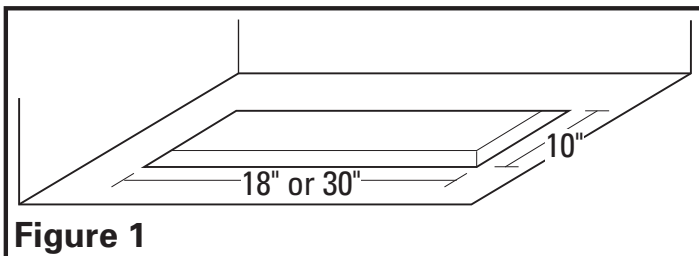
SECTION 2

Installing the Range Hood

CAUTION: MAKE SURE POWER IS SWITCHED OFF AT SERVICE PANEL BEFORE STARTING INSTALLATION.

CAUTION: WHEN CUTTING OR DRILLING INTO WALL DO NOT DAMAGE ELECTRICAL WIRING AND OTHER HIDDEN UTILITIES.

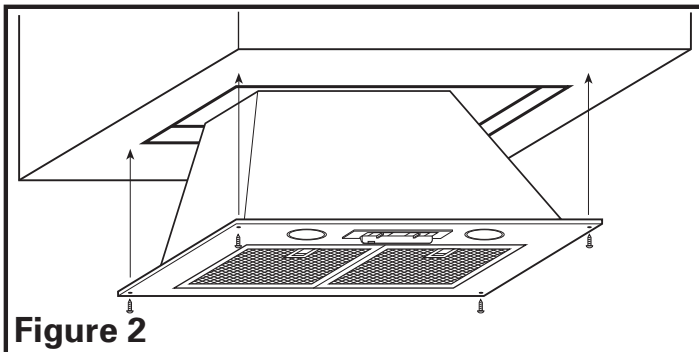
1. Cut an appropriate size hole into the cabinet or canopy the power unit will be mounted into (**Figure 1**):
SEV24SS models: 18" wide by 10" deep.
SEV30SS models: 30" wide by 10" deep



NOTE: If you will not have access to the ducting or wiring once the hood is installed into the cabinet or canopy, make the ducting and electrical connections at this point by referring to the **SECTION 3** and **SECTION 4** of this instruction sheet.

NOTE: If an optional hood liner is being utilized, install at this point according to the instructions included with the liner.

2. Insert the power unit into the hole and secure in place using the four provided 4 x 15 mm mounting screws (**Figure 2**).



CAUTION: MAKE SURE THE SURFACE YOU ARE MOUNTING THE POWER UNIT TO IS CAPABLE OF SUPPORTING THE WEIGHT OF THE UNIT. OTHERWISE YOU WILL NEED TO REINFORCE THE AREA.

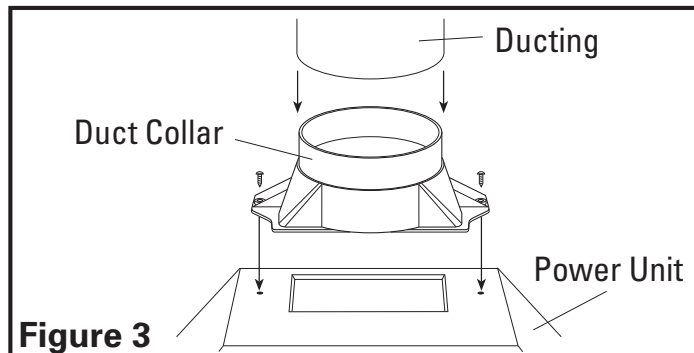
SECTION 3

Ducting

CAUTION: ALL DUCTING MUST COMPLY WITH LOCAL AND NATIONAL BUILDING CODES.

WARNING: TO REDUCE THE RISK OF FIRE, USE ONLY METAL DUCTWORK.

1. Install the included duct collar to the hood with two of the provided 3 x 11 mm screws (**Figure 3**).



2. Connect the ducting to the duct collar and secure in place using tape to seal all joints (**Figure 3**).

NOTE: The duct connector is 5.8" in diameter (for 6" round ducting) and the center is located 3-3/16" inches from the back wall.

CAUTION: ALWAYS DUCT THE FAN TO THE OUTSIDE THROUGH A WALL OR ROOF CAP.

SECTION 4

Wiring

CAUTION: ALL ELECTRICAL CONNECTIONS MUST BE MADE IN ACCORDANCE WITH LOCAL CODES, ORDINANCES, OR NATIONAL ELECTRICAL CODE. IF YOU ARE UNFAMILIAR WITH METHODS OF INSTALLING ELECTRICAL WIRING, SECURE THE SERVICES OF A QUALIFIED ELECTRICIAN.

1. Attach the wire compartment to the power unit with two of the provided 3 x 11 mm screws. Remove the wire compartment cover and connect the white wire (on some models this wire will be brown) from the power unit to the white wire from the supply. Connect the black wire (on some models this wire will be blue) from the power unit to the black wire of the supply. Connect the ground wires from the home (green or bare) and the power unit (green/yellow) to the grounding screw in the wire compartment. Use approved methods for all connections (**Figure 4**).

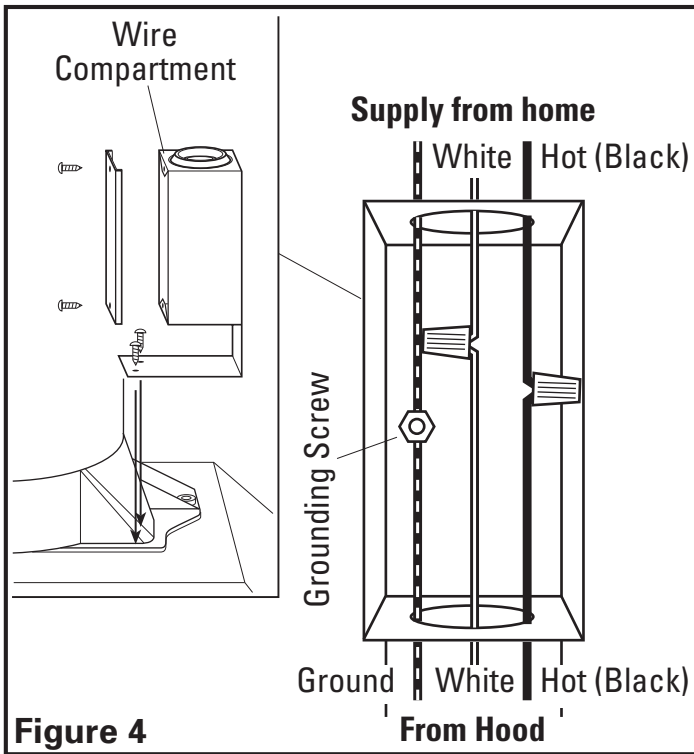


Figure 4

2. Replace the wire compartment cover and tighten screws. Make sure all wiring is securely contained within the wire compartment.

SECTION 5 Finishing the Installation

1. Remove any protective plastic adhered to the power unit.
2. Install two PAR16, 45W maximum lamps by inserting lamp into socket and turning clockwise until lamp is firmly seated. DO NOT over tighten.
3. Turn switches to the OFF (●) position and restore power. Test that the light and the fan are operating properly.
4. If there is any vibration noise, check for the source and try to tighten fasteners or adjust the tape to make a tighter connection or seal.

SECTION 6 Operation

Controls

Your Range Hood is equipped with two sliding switches with one controlling the lighting and the other controlling the exhaust fan. The light control has two positions, ON (☀) and OFF (●). The fan is a four position control, HIGH (III), MEDIUM (II), LOW (I), and OFF (●) (Figure 11).

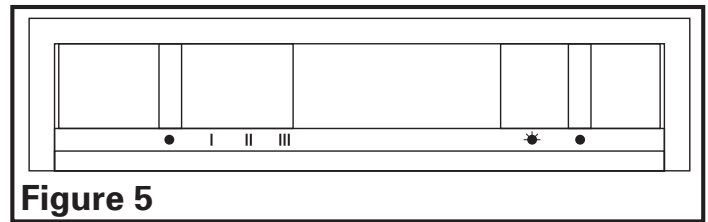


Figure 5

SECTION 7 Maintenance

CAUTION: MAKE SURE POWER IS SWITCHED OFF AT SERVICE PANEL BEFORE SERVICING THE UNIT.

Filters

1. Included with your unit are aluminum grease filters that should be washed at least once a month. The filters are dishwasher safe and should be washed in a mild soap or detergent.
2. To remove the filters, pull down on the handle tab until the filter releases from the unit. To reinstall, slide tab at rear of filter into slot in the unit. While holding in handle of filter, lift filter into place and release handle. The filter should snap securely into place (Figure 6).

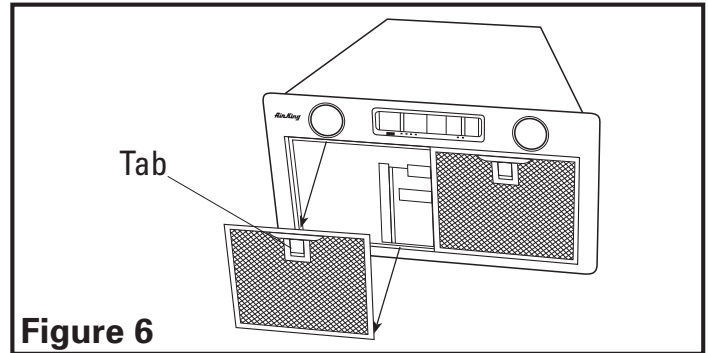


Figure 6

NOTE: If your model is equipped with a filter screw, slide tab at rear of filter into slot in hood and secure filters in place by tightening screw located at front of filter. DO NOT OVERTIGHTEN.

3. If the grease filters become damaged, replace with the Air King Model BCGF-01 Grease Filters.

Cleaning

CAUTION: DO NOT USE GASOLINE, BENZINE, THINNER, HARSH CLEANSERS, ETC., AS THEY MAY DAMAGE THE RANGE HOOD.

1. Clean your power unit with a mild detergent, such as dishwashing liquid, and dry with a soft cloth. **NEVER USE ANY ABRASIVE PADS OR SCOURING POWDERS.** Completely dry before restoring power. **NEVER IMMERSE ELECTRICAL PARTS IN WATER.**
2. The fan assembly can be vacuumed when build up (dirt, lint, etc.) accumulates over time. The fan is permanently lubricated and does not require oiling.

Troubleshooting Guide

Trouble	Probable Cause	Suggested Remedy
1. Hood does not operate when the switch is on.	1a. A fuse may be blown or a circuit tripped. 1b. Wiring is not connected properly.	1a. Replace fuse or reset circuit breaker. 1b. Turn off power to unit. Check that all wires are connected.
2. Hood is operating, but air moves slower than normal.	2. Obstruction in the exhaust ducting.	2. Check for any obstructions in the ducting including filter.
3. Hood is making a rattling noise.	3a. Filters are loose. 3b. Duct connection is loose.	3a. Turn off power to unit. Check that all filter screws are fully tightened. 3b. Turn off power to unit. Check that duct connection is tight.

LIMITED WARRANTY

All products manufactured by Air King Limited are warranted for one year from the date of purchase against defects in workmanship and/or material. In addition, all ventilating/exhaust fans, heaters, combination fan lights and/or heaters, and range hoods are guaranteed for five years from the date of purchase against defects in workmanship and/or material.

This warranty does not cover any labor or shipping costs or the cost of replacement components as part of routine maintenance such as: range hood grease filters, charcoal filters or combination charcoal/grease filters; replacement light bulbs in range hoods or bathroom fan/light/bulb heater combinations. As well, any damage or failure caused by abuse, misuse, abnormal usage, faulty installation, or improper maintenance will not be covered by this warranty.

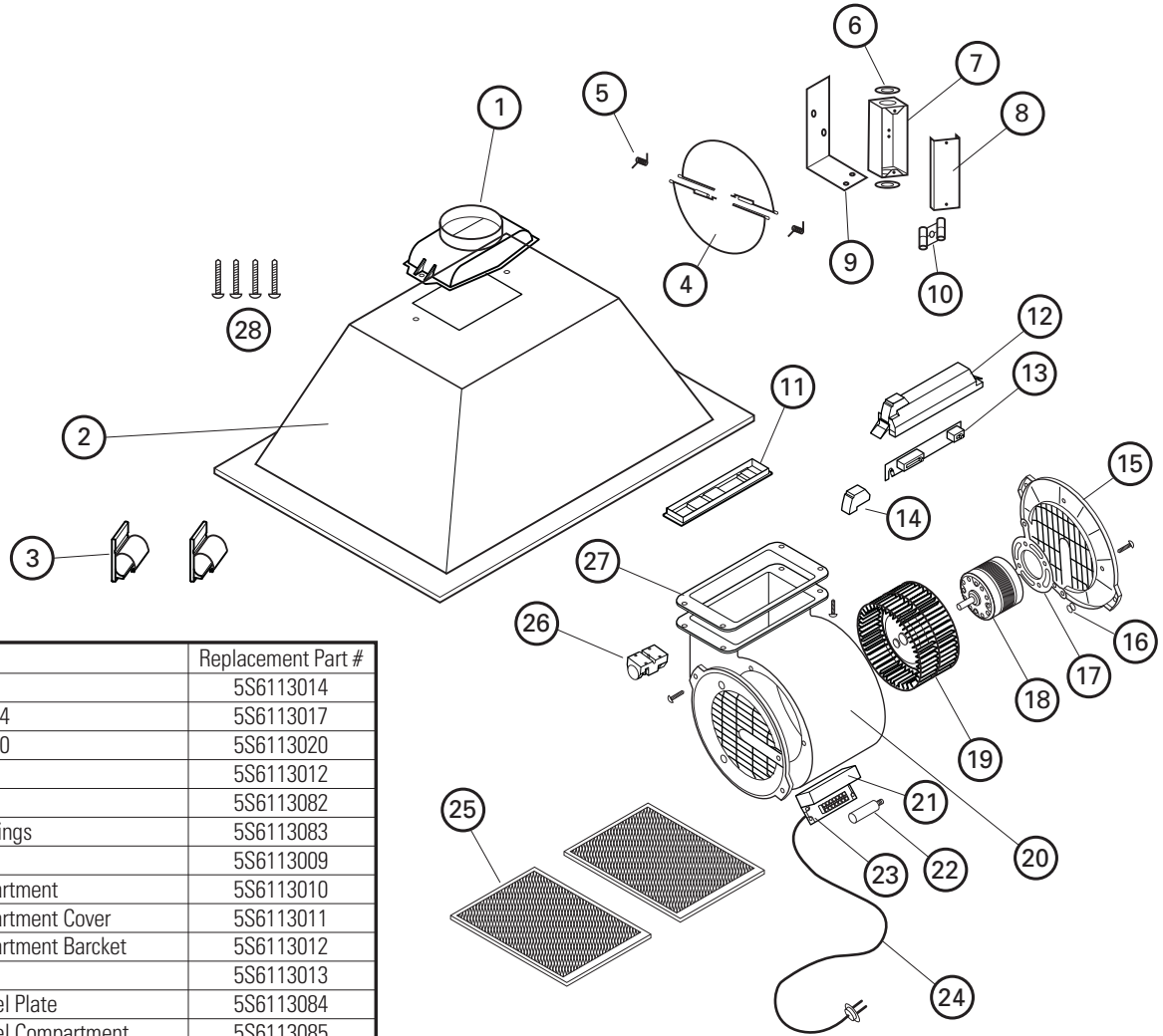
In order to make a claim on this warranty, you must be the original consumer of the product. You will be required to present to Air King the original bill of sale showing: date of purchase, place of purchase and model purchased. Failure to meet these requirements will void your warranty.

Air King will not be held responsible for any bodily injury or damages to personal property or real estate whether caused directly or indirectly by the product. Some states and provinces do not allow the exclusion or limitation of incidental or consequential damages and some states do not allow limitations on how long an implied warranty lasts, so these exclusions or limitations may not apply to you. This warranty gives you specific legal rights and you may have other rights which vary from state to state and province to province.

FOR PARTS OR TECHNICAL ASSISTANCE

Please call: 1-800-465-7300, **MONDAY THROUGH FRIDAY, BETWEEN THE HOURS OF 8 AM AND 4:00 PM EST.** PLEASE DO NOT RETURN PRODUCT TO PLACE OF PURCHASE.

Reference the type and style of product (located on label inside of the product) when you call. For more information please visit our website: www.airkinglimited.com



#	Qty.	Description	Replacement Part #
1	1	Collar	5S6113014
2	1	Body - SEV24	5S6113017
	1	Body - SEV30	5S6113020
3	2	Wire Clamp	5S6113012
4	1	Damper	5S6113082
5	2	Damper Springs	5S6113083
6	2	Washer	5S6113009
7	1	Wire Compartment	5S6113010
8	1	Wire Compartment Cover	5S6113011
9	1	Wire Compartment Barcket	5S6113012
10	1	Wire Clamp	5S6113013
11	1	Control Panel Plate	5S6113084
12	1	Control Panel Compartment	5S6113085
13	1	Motor Switch	5S6113086
14	1	Light Switch	5S6113087
15	1	Motor Grill	5S6113088
16	1	Shock Absorber	5S6113089
17	1	Motor Mounting Bracket	5S6113090
18	1	Motor	5S6113091
19	1	Fan Blade	5S6113071
20	1	Motor Housing	5S6113092
21	1	Motor Connection Box	5S6113093

#	Qty.	Description	Replacement Part #
22	1	Capacitor	5S6113094
23	1	Terminal Strip	5S6113095
24	1	Wire	5S6113096
25	2	Filter (SEV30 models Qty. 3)	5S6113028
26	2	Lamp Holder	5S6113097
27	1	Gasket	5S6113098
28	4	Mounting Screws	5S6113099

Installer: _____

Installation Date: _____

Place of Purchase: _____

Model Number: _____