

Professional Series Blowers

• **Motor**

- B300** 300 CFM, 1 speed, permanently split capacitor motor. Rated 120 volts, 60 hz., 0.90 amps.
- B500** 500 CFM, 2 speed, permanently split capacitor motor. Rated 120 volts, 60 hz., 1.10 amps.
- B600** 600 CFM, 3 speed, permanently split capacitor motor. Rated 120 volts, 60 hz., 1.25 amps.
- B900** 900 CFM, 3 speed, permanently split capacitor motor. Rated 120 volts, 60 hz., 5.70 amps.
- B1125** 1200 CFM, 3 speed, permanently split capacitor motor. Rated 120 volts, 60 hz., 7.20 amps.

• **Blower Wheel**

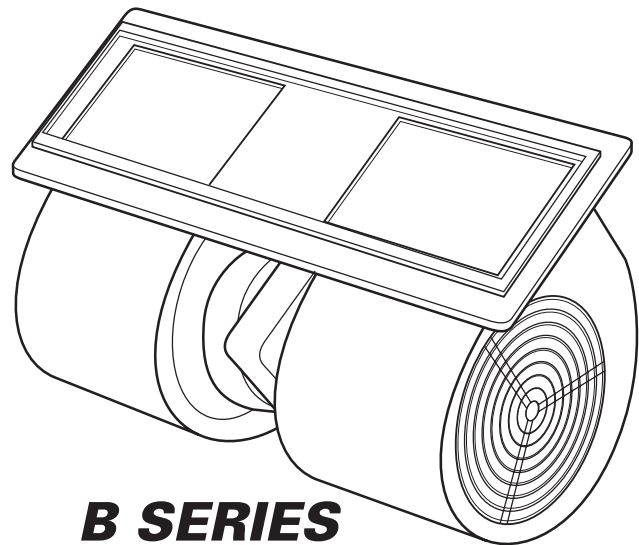
Dual inlet, electronically balanced polymeric centrifugal blower wheel, 5²⁷/₃₂" width 59 paddles.

• **Blower Mounting**

Easily installs into hood shell through predrilled, threaded and grommets bolt holes in shell and includes a Snap-In wiring harness for electrical connection.

• **Blower Housing**

Constructed of galvanized steel.



B SERIES

Air Flow - CFM	PERFORMANCE								HVI Sones @ .1 SP	Fan Speed RPM	Power Watts
	Static Pressure (inches of w.g.)										
	0	0.1	0.25	0.375	0.5	0.625	1.0	1.25			
B300	317	300	267	229	167	-	-	-	1.5	760	81
B500	529	500	444	382	278	116	-	-	4.5	1206	131
B600	638	600	537	458	342	143	-	-	5.5	1492	164
B900	918	900	874	852	829	805	725	661	11.0	2051	604
B1125	1222	1200	1168	1142	1117	1090	1004	933	15.0	2617	945

PROJECT						ARCHITECT					
LOCATION						ENGINEER					
CONTRACTOR						SUBMITTED BY				DATE	
FAN NUMBER	MODEL NUMBER	CFM	IN W.G.	RPM	WATTS	AMPS	SONES	QTY	OPTIONAL EQUIPMENT & REMARKS		



U.S.: 820 Lincoln Drive
 West Chester, Pennsylvania 19380-4466
 Tel: (610) 692-7400 • 877-304-3785
 Fax: (610) 696-8048

Canada: 110 Glidden Road
 Brampton, Ontario L6T 2J3
 Tel: (905) 456-2033
 Fax: (905) 456-1015