

### INLINE EXHAUST FAN INLET GRILLS/HOUSINGS

• **Inlet Grill**

Low profile, circular plastic exhaust grill

• **Housing**

*Models AIG4:* Galvanized metal collar with mounting straps and  
*AIG6* metal back draft damper with rubber gasket to reduce sound level during opening and closing.

*Models AIG46HL:* Metal housing with wiring junction box and  
*AIG46F* metal back draft damper with rubber gasket to reduce sound level during opening and closing.

• **Lighting**

*Model AIG46HL:* 50 watt, Halogen Lamp, UL approved for wet locations included with unit.

*Model AIG46F:* ENERGY STAR 14 watt, Wet Location Compact Fluorescent 4 Pin Lamp included with unit.

• **Unit Mounting**

*Models AIG4:* Metal mounting straps for quick and easy  
*AIG6* installation to joist.

*Models AIG46HL:* Metal housing with wiring junction box for  
*AIG46F* quick and easy installation between joist.

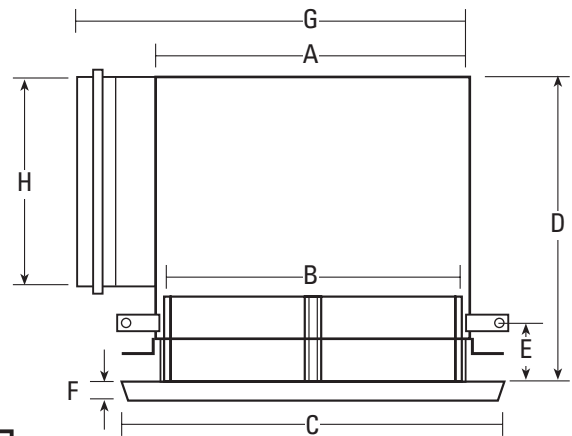
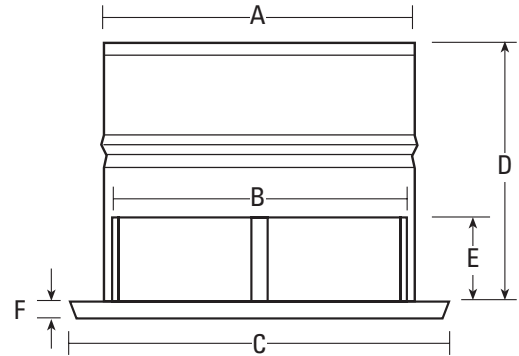
• **UPC Codes**

**AIG4:** 0-83162-31131-3

**AIG6:** 0-83162-31132-0

**AIG46HL:** 0-83162-31122-1

**AIG46F:** 0-83162-31141-2



Models	A	B	C	D	E	F	G	H
AIG4, AIK14X, AIK24Y	4"	3 <sup>5</sup> / <sub>8</sub> "	4 <sup>7</sup> / <sub>8</sub> "	3 <sup>3</sup> / <sub>4</sub> "	1 <sup>7</sup> / <sub>8</sub> "	3 <sup>3</sup> / <sub>8</sub> "	-	-
AIG6, AIK16X, AIK26Y	6"	5 <sup>5</sup> / <sub>8</sub> "	7"	3 <sup>3</sup> / <sub>4</sub> "	1 <sup>7</sup> / <sub>8</sub> "	3 <sup>3</sup> / <sub>8</sub> "	-	-
AIG46L, AIG46YL, AIK14XL AIK14XF, AIK26YL, AIK26YF	6"	5 <sup>5</sup> / <sub>8</sub> "	7 <sup>3</sup> / <sub>32</sub> "	6"	1 <sup>3</sup> / <sub>4</sub> "	3 <sup>3</sup> / <sub>8</sub> "	7 <sup>23</sup> / <sub>32</sub> "	4"

<b>PROJECT</b>					<b>ARCHITECT</b>				
<b>LOCATION</b>					<b>ENGINEER</b>				
<b>CONTRACTOR</b>					<b>SUBMITTED BY</b>			<b>DATE</b>	
FAN NUMBER	MODEL NUMBER	CFM	IN W.G.	RPM	WATTS	AMPS	SONES	QTY	OPTIONAL EQUIPMENT & REMARKS



**U.S.:** 820 Lincoln Drive  
 West Chester, Pennsylvania 19380-4466  
 Tel: (877)-304-3785  
 Fax: (610) 696-8048

**Canada:** 110 Glidden Road  
 Brampton, Ontario L6T 2J3  
 Tel: (905) 456-2033  
 Fax: (905) 456-1015