

IMPORTANT INSTRUCTIONS - OPERATING MANUAL

Models: BFQL50, BFQLA50,
BFQL60, BFQL70, BFQL80

Air King
Ventilation Products®

Exhaust Fan



READ AND SAVE THESE INSTRUCTIONS

READ CAREFULLY BEFORE ATTEMPTING TO ASSEMBLE, INSTALL, OPERATE OR MAINTAIN THE PRODUCT DESCRIBED. PROTECT YOURSELF AND OTHERS BY OBSERVING ALL SAFETY INFORMATION. FAILURE TO COMPLY WITH INSTRUCTIONS COULD RESULT IN PERSONAL INJURY AND/OR PROPERTY DAMAGE!



RETAIN INSTRUCTIONS FOR FUTURE REFERENCE.

GENERAL SAFETY INFORMATION

When using electrical appliances, basic precautions should always be followed to reduce the risk of fire, electric shock and injury to person, including the following:



WARNING: TO REDUCE THE RISK OF FIRE, ELECTRIC SHOCK AND INJURY TO PERSON, OBSERVE THE FOLLOWING:

- Use this unit only in the manner intended by the manufacturer. If you have questions, contact the manufacturer.
- Before servicing or cleaning the unit, switch power off at service panel and lock the service disconnecting means to prevent power from being switched on accidentally. When the service disconnecting means cannot be locked, securely fasten a prominent warning device, such as a tag, to the service panel.



WARNING: TO REDUCE THE RISK OF FIRE, ELECTRIC SHOCK AND INJURY TO PERSON, OBSERVE THE FOLLOWING:

- Installation work and electrical wiring must be done by qualified person(s) in accordance with all applicable codes and standards, including fire-related construction.
- Sufficient air is needed for proper combustion and exhausting of gases through the flue (chimney) of fuel burning equipment to prevent back drafting. Follow the heating equipment manufacturer's guideline and safety standards such as those published by the National Fire Protection Association (NFPA) and the American Society for Heating, Refrigeration, and Air Conditioning Engineers (ASHRAE), and the local code authorities.
- When cutting or drilling into wall or ceiling, do not damage electrical wiring and other hidden utilities.



CAUTION: FOR GENERAL VENTILATING USE ONLY. DO NOT USE TO EXHAUST HAZARDOUS OR EXPLOSIVE MATERIALS AND VAPORS.

- Ducted fans must always be vented to the outdoors.
- If this unit is to be installed over a tub or shower, it must be marked as appropriate for the application and be connected to a GFCI (Ground Fault Circuit Interrupter) – protected branch circuit.
- This unit must be grounded.
- To avoid motor bearing damage and noisy and/or unbalanced impellers, keep drywall spray, construction dust, etc. off power unit.
- Read all instructions before installing or using exhaust fan.
- Suitable for use with electronic speed control device.



WARNING: DO NOT USE IN KITCHENS.



WARNING: THE DUCTING FROM THIS FAN TO THE OUTSIDE OF THE BUILDING HAS A STRONG EFFECT ON THE AIR FLOW, NOISE AND ENERGY USE OF THE FAN. USE THE SHORTEST, STRAIGHTEST DUCT ROUTING POSSIBLE FOR BEST PERFORMANCE, AND AVOID INSTALLING THE FAN WITH SMALLER DUCTS THAN RECOMMENDED. INSULATION AROUND THE DUCTS CAN REDUCE ENERGY LOSS AND INHIBIT MOLD GROWTH. FANS INSTALLED WITH EXISTING DUCTS MAY NOT ACHIEVE THEIR RATED AIRFLOW.

SAVE THESE INSTRUCTIONS

INSTALLATION INSTRUCTIONS



CAUTION: MAKE SURE POWER IS SWITCHED OFF AT SERVICE PANEL BEFORE STARTING INSTALLATION.

SECTION 1

Preparing the Exhaust Fan

1. Unpack fan from the carton and confirm that all pieces are present. In addition to the exhaust fan you should have:
 - 1 - Grill with Light Lens
 - 1 - Damper Assembly (attached)
 - 1 - Mounting Bracket
 - 1 - LED Lamp
 - 1 - Hardware Bag
 - 1 - Electrical Connector
 - 4 - Wire Nuts
 - 1 - Instruction/Safety Sheet
2. Remove the wire compartment cover and store in the carton until needed so it does not get damaged or lost (**Figure 1**).

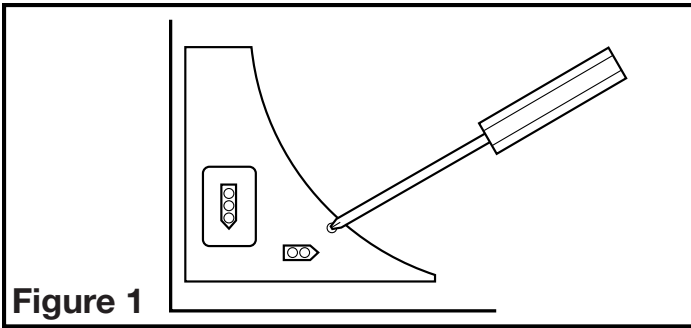


Figure 1

3. Choose the location for your fan. To ensure the best air and sound performance, it is recommended that the length of ducting and the number of elbows be kept to a minimum, the radius of each elbow be as large as possible for the installation, and that insulated hard ducting be used. Larger duct sizes will reduce noise and airflow restrictions.
4. Select the most convenient electrical knockout and remove using a straight-blade screw driver (**Figure 2**).
5. No additional vibration deadening materials are needed for this fan.

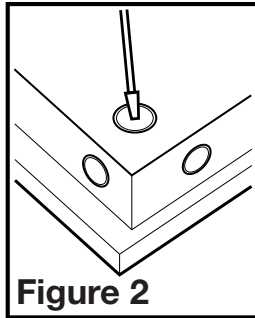


Figure 2

SECTION 2

New Construction

1. Using the gauge on the mounting bracket, line up the bracket on the joist so the bottom of the fan will be flush with the finished ceiling. Nail or screw the bracket in place securely (**Figure 3**).

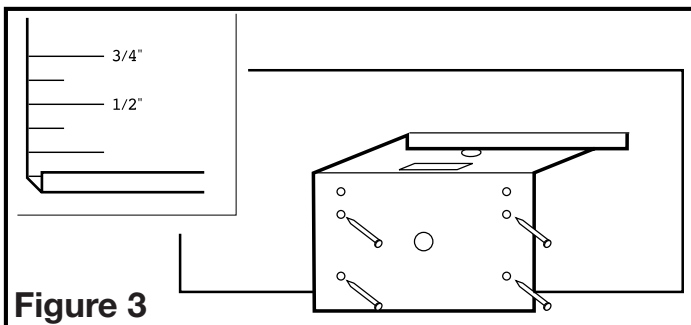


Figure 3

2. Snap the fan body into the bracket (**Figure 4**). The fan can be snapped into position with the duct collar facing to the left or the right depending which is most convenient.

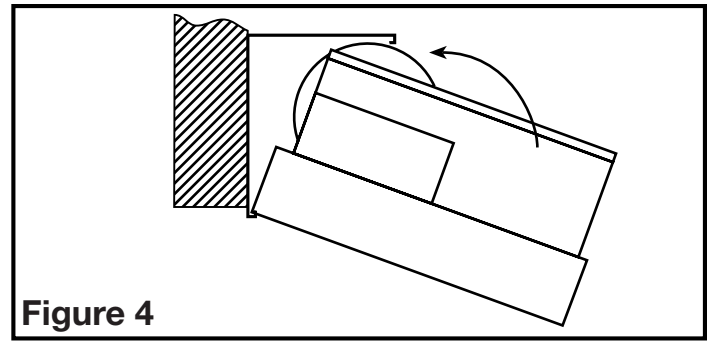


Figure 4

SECTION 3

Existing Construction

1. Position housing against the joist or stud and trace an outline of the housing onto the ceiling/wall material. Set housing aside and cut opening, being careful not to cut or damage any electrical or other hidden utilities (**Figure 5**).

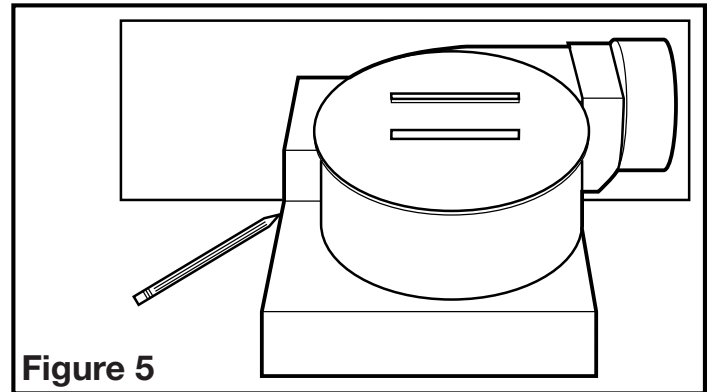


Figure 5

2. Line up the bracket on the joist so the bottom of the fan will be flush with the finished ceiling. Nail or screw the snap-in bracket in place securely (**Figure 3**).
3. Snap the fan body into the bracket (**Figure 4**). The fan can be snapped into position with the duct collar facing to the left or the right depending which is most convenient.

SECTION 4

Ducting

NOTE: 4" OR LARGER RIGID DUCT IS RECOMMENDED FOR BEST PERFORMANCE.



CAUTION: ALL DUCTING MUST COMPLY WITH LOCAL AND NATIONAL BUILDING CODES.

1. Connect the ducting to the fan's duct collar (**Figure 6**). Secure in place using tape or screw clamp. Always duct the fan to the outside through a wall or roof cap. It is recommended that low restriction termination fittings be used.

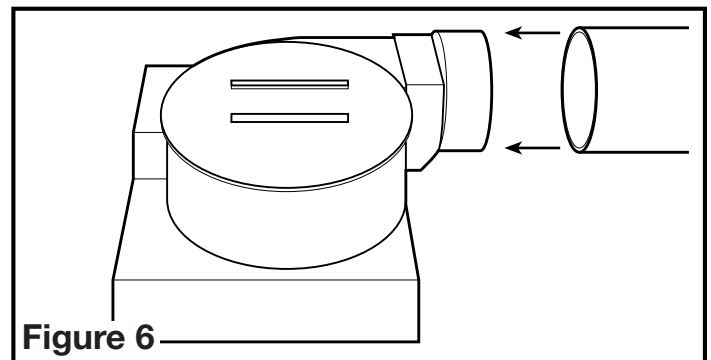


Figure 6

2. Ensure duct joints and exterior penetrations are sealed with caulk or other similar material to create an air-tight path to minimize building heat loss or gain and to reduce the potential for condensation. Place/wrap insulation around duct and/or fan to in order to minimize possible condensation buildup within the duct, as well as building heat loss or gain (**Figure 7**).

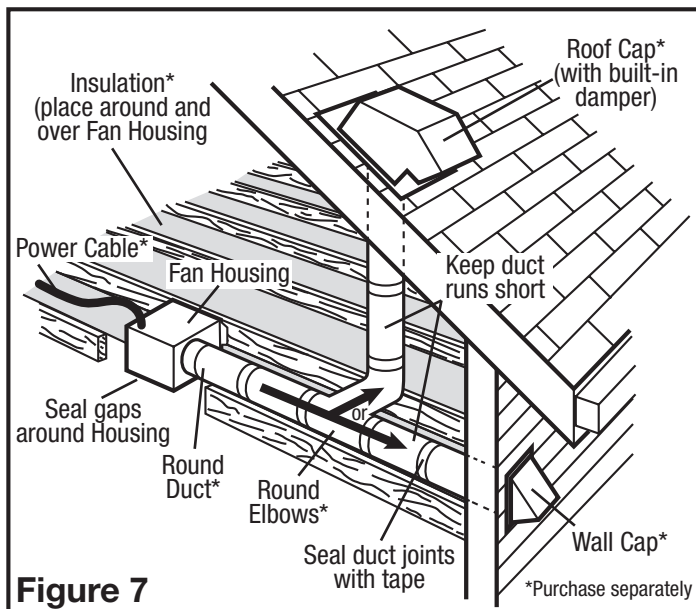


Figure 7

SECTION 5

Wiring



CAUTION: MAKE SURE POWER IS SWITCHED OFF AT SERVICE PANEL BEFORE STARTING INSTALLATION.



CAUTION: ALL ELECTRICAL CONNECTIONS MUST BE MADE IN ACCORDANCE WITH LOCAL CODES, ORDINANCES, OR NATIONAL ELECTRICAL CODE. IF YOU ARE UNFAMILIAR WITH METHODS OF INSTALLING ELECTRICAL WIRING, SECURE THE SERVICES OF A QUALIFIED ELECTRICIAN.

1. **Wiring Fan/Light Independently:** Run wiring from an approved wall switch carrying the appropriate rating. One neutral (white), one ground (green or bare copper), and two hot (black lead connected to the switch). Secure the electrical wires to the housing with an approved electrical connector. Make sure you leave enough wiring in the box to make the connection to the fan's receptacle.
 - 1a. From where you have access to inside the fan's junction box, connect the one white wire from the house to both the white wire from the fan's light receptacle and the white wire from the fan's exhaust receptacle. Connect the first black wire from the wall switch to the black wire from the fan's light receptacle. Connect the second black wire from the switch to the fan's exhaust receptacle. Connect the ground wire from the house to the green wire from the fan's receptacle (**Figure 8**). Use approved methods for all connections.

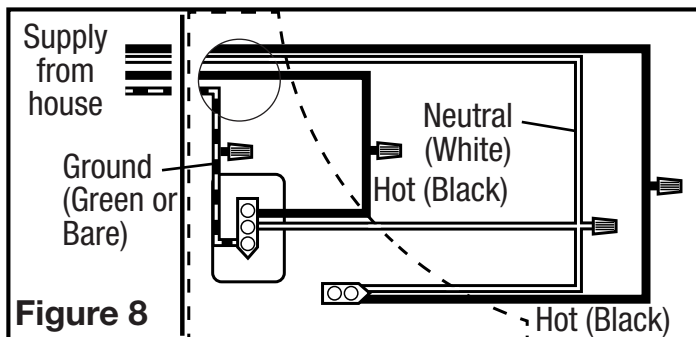


Figure 8

2. **Wiring Fan/Light together:** Run wiring from an approved wall switch carrying the appropriate rating. One neutral (white), one ground (green or bare copper), and one hot (black lead connected to the switch). Secure the electrical wires to the housing with an approved electrical connector. Make sure you leave enough wiring in the box to make the connection to the fan's receptacle.

- 2a. From where you have access to inside the fan's junction box, connect the one white wire from the house to both the white wire from the fan's light receptacle and the white wire from the fan's exhaust receptacle. Connect the black wire from the wall switch to both the black wire from the fan's light receptacle and the black wire from the fan's exhaust receptacle. Connect the ground wire from the house to the green wire from the fan's receptacle (**Figure 9**). Use approved methods for all connections.

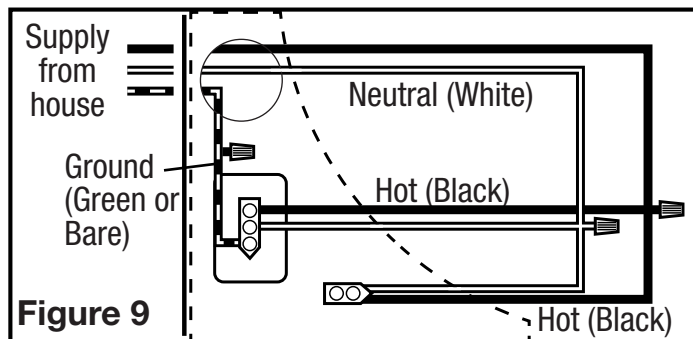


Figure 9

SECTION 6

Completing the Installation

1. Use a sealant appropriate for contact with the building materials present and for the temperature requirements of the installation to prevent air leakage from unconditioned spaces is recommended. If gaps between unit housing and ceiling are great, additional material (backing rod, ceiling material) may be required.

NOTE: This fan is rated for direct insulation contact (Type IC) and it is recommended that this fan be completely covered by insulation in order to reduce heat loss or gain to unconditioned space.

2. Reinstall the fan's wire compartment cover. Rotate the blower wheel by hand to ensure it spins freely. Plug the fan's quick connect motor cord into the receptacle. This cord will only fit one way into the receptacle (**Figure 10**).

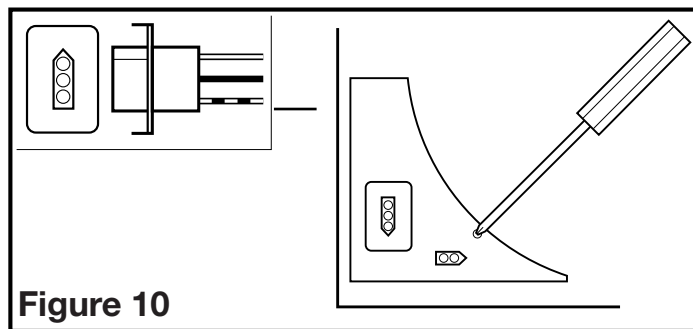


Figure 10

NOTE: If using this fan to meet ASHRAE 62.2 requirements, locate the label inside the fan housing and fill in the appropriate information.

3. Install the grill/lens/light reflector, by first removing the lens from the grill (there are two tabs on either side that hold the lens in place). Then remove the acorn nut and the lock washer which are installed on the reflector mounting bolt in the fan housing. Adjust the height of the reflector mounting bolt so that the grill will be tight up against the finished ceiling and less than 1/4" of the reflector mounting bolt protrudes through the reflector. Secure the reflector bolt's position by tightening the factory installed nut against the motor clip (**Figure 11**).

SECTION 7

Use and Care



CAUTION: MAKE SURE POWER IS SWITCHED OFF AT SERVICE PANEL BEFORE SERVICING THE UNIT.



CAUTION: ALLOW BULB TO COOL BEFORE REPLACING.

Changing the Lamp

Remove the light lens by squeezing at the tabs and pulling down (Figure 13). Remove lamp by gently twisting the lamp base counterclockwise while applying outward pressure. Installation is the reverse of removal. Replace with Air King model AK6LED40 or a compatible GU24 6 watt LED lamp.

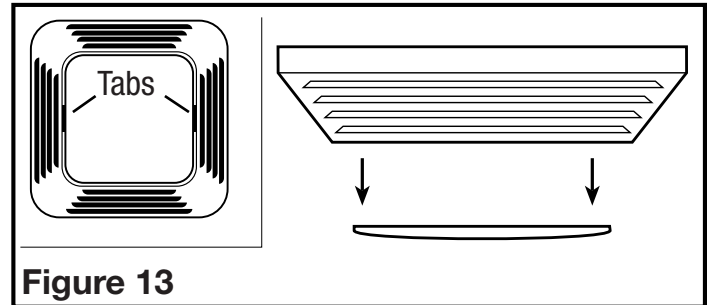


Figure 13

Cleaning the Grill

Remove grill and use a mild detergent, such as dishwashing liquid, and dry with a soft cloth. NEVER USE ANY ABRASIVE PADS OR SCOURING POWDERS. Completely dry grill before reinstalling. Refer to instructions in Section 6 *Finishing the Installation*, to reinstall grill.

Cleaning the Fan Assembly

Unplug the motor cord from receptacle. Wipe all parts with a dry cloth or gently vacuum the fan. NEVER IMMERSE ELECTRICAL PARTS IN WATER. Plug the motor cord back in and restore power.

CALIFORNIA RESIDENTS ONLY:



WARNING: THIS PRODUCT CAN EXPOSE YOU TO A CHEMICAL [OR CHEMICALS] KNOWN TO THE STATE OF CALIFORNIA TO CAUSE CANCER.



WARNING: THIS PRODUCT CAN EXPOSE YOU TO A CHEMICAL [OR CHEMICALS] KNOWN TO THE STATE OF CALIFORNIA TO CAUSE REPRODUCTIVE TOXICITY.

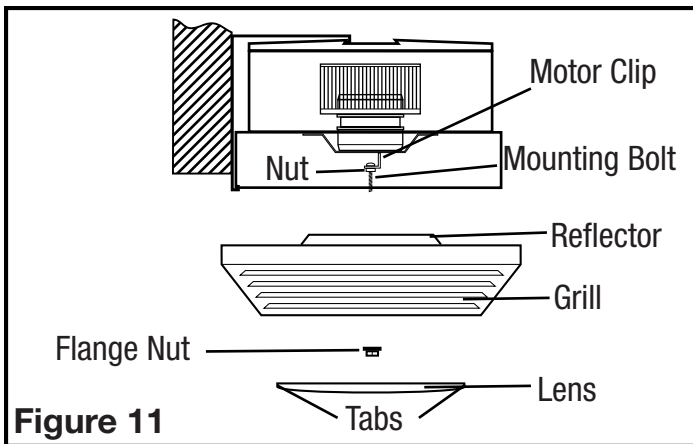


Figure 11



CAUTION: FAILURE TO SECURE THE REFLECTOR BOLT MAY RESULT IN A RATTLING OR HUMMING NOISE.

4. After the reflector bolt is secure, raise the grill/reflector up into position and plug the reflector into the appropriate receptacle. Secure the assembly to the reflector bolt using the acorn nut and lock washer. Install the included 6 watt LED lamp into the lamp holder by lining up the pins on the lamp base to the socket of the lamp holder and turning the lamp body clockwise until the lamp snaps into place and is firmly seated in the lamp holder (Figure 12).

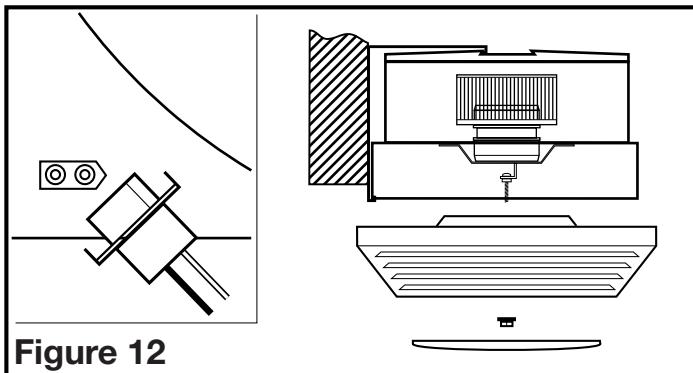


Figure 12

5. Reinstall the lens into the grill.
6. Restore power and test your installation.

Troubleshooting Guide

Trouble	Probable Cause	Suggested Remedy
1. Fan does not operate when the switch is on.	1a. A fuse may be blown or a circuit tripped. 1b. Connector plug from motor is not plugged in. 1c. Wiring is not connected properly. 1d. Motor has stopped operating.	1a. Replace fuse or reset circuit breaker. 1b. Turn off power to unit. Remove Grill and plug motor into receptacle in housing. Restore power to unit. 1c. Turn off power to unit. Check that all wires are connected. 1d. Replace motor.
2. Fan is operating, but air moves slower than normal.	2. Obstruction in the exhaust ducting.	2. Check for any obstructions in the ducting. The most common are bird nests in the roof cap or wall cap where the fan exhausts to the outside.
3. Fan is operating louder than normal	3a. Motor is loose. 3b. Fan blade is hitting housing of unit.	3a. Turn off power to unit. Remove grill and check that all screws are fully tightened. Restore power to unit. 3b. Call your dealer for service.

LIMITED WARRANTY

WHAT THIS WARRANTY COVERS: This product is warranted against defects in workmanship and/or materials.

HOW LONG THIS WARRANTY LASTS: This warranty extends only to the original purchaser of the product and lasts for five (5) years from the date of original purchase or until the original purchaser of the product sells or transfers the product, whichever first occurs.

WHAT AIR KING WILL DO: During the warranty period, Air King will, at its sole option, repair or replace any part or parts that prove to be defective or replace the whole product with the same or comparable model.

WHAT THIS WARRANTY DOES NOT COVER: This warranty does not apply if the product was damaged or failed because of accident, improper handling, installation, or operation, shipping damage, abuse, misuse, unauthorized repairs made or attempted. This warranty does not cover shipping costs for the return of products to Air King for repair or replacement. Air King will pay return shipping charges from Air King following warranty repairs or replacement.

ANY AND ALL WARRANTIES, EXPRESSED OR IMPLIED (INCLUDING, WITHOUT LIMITATION, ANY IMPLIED WARRANTY OF MERCHANTABILITY), LAST ONE YEAR FROM THE DATE OF ORIGINAL PURCHASE OR UNTIL THE ORIGINAL PURCHASER OF THE PRODUCT SELLS OR TRANSFERS THE PRODUCT, WHICHEVER FIRST OCCURS AND IN NO EVENT SHALL AIR KING'S LIABILITY UNDER ANY EXPRESS OR IMPLIED WARRANTY INCLUDE (I) INCIDENTAL OR CONSEQUENTIAL DAMAGES FROM ANY CAUSE WHATSOEVER, OR (II) REPLACEMENT OR REPAIR OF ANY HOUSE FUSES, CIRCUIT BREAKERS OR RECEPTACLES. NOTWITHSTANDING ANYTHING TO THE CONTRARY, IN NO EVENT SHALL AIR KING'S LIABILITY UNDER ANY EXPRESS OR IMPLIED WARRANTY EXCEED THE PURCHASE PRICE OF THE PRODUCT AND ANY SUCH LIABILITY SHALL TERMINATE UPON THE EXPIRATION OF THE WARRANTY PERIOD.

Some states and provinces do not allow limitations on how long an implied warranty lasts, or the exclusion or limitation of incidental or consequential damages, so these exclusions or limitations may not apply to you. This warranty gives you specific legal rights. You may also have other rights which vary from state to state and province to province. Proof of purchase is required before a warranty claim will be accepted.

CUSTOMER SERVICE:

Toll-Free (800) 465-7300

Our Customer Service team is available to assist you with product questions, service center locations, and replacement parts. They can be reached Monday through Friday, 8am-4pm Eastern. Please have your model number available, as well as the type and style (located on the label inside of your product).

Please do not return product to place of purchase.

www.airkinglimited.com

PARTS FOR DISCONTINUED, OBSOLETE AND CERTAIN OTHER PRODUCTS MAY NOT BE AVAILABLE. DUE TO SAFETY REASONS, MANY ELECTRONIC COMPONENTS AND MOST HEATER COMPONENTS ARE NOT AVAILABLE TO CONSUMERS FOR INSTALLATION OR REPLACEMENT.

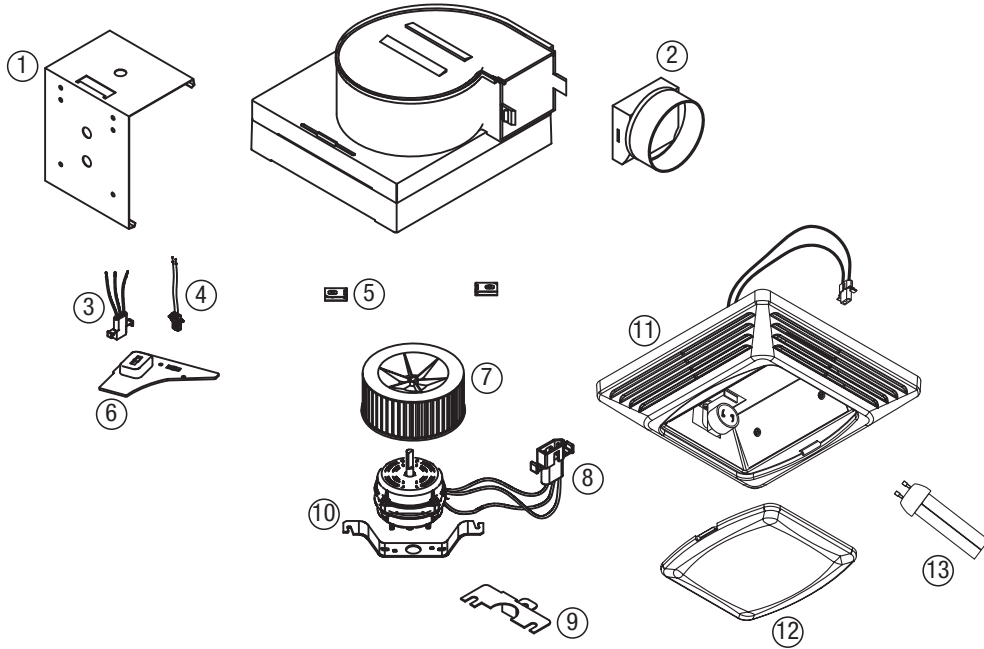
Installer: _____

Installation Date: _____

Place of Purchase: _____

Model Number: _____

REPLACEMENT PARTS DIAGRAM



#	Qty.	Description	Replacement Part #
1	1	Snap-In Bracket	5S2205027
2	1	Damper Assembly	5S2299054
3	1	Fan Receptacle	5S2205004
4	1	Light Receptacle	5S1201012
5	2	Clip	5S2205025
6	1	Wire Cover	5S2205040
7	1	Blower Wheel	5S2299004
8	1	Motor - BFQL50	5S2205035
	1	Motor - BFQL60	5S2205036
	1	Motor - BFQL70	5S2205037
	1	Motor - BFQL80	5S2205034
9	1	Clip	5S2205029
10	1	Motor Bracket	5S2299003
11	1	Grill Assembly	5S9205030
12	1	Light Lens	5S2205031
13	1	6 Watt LED Lamp	5S1299725

INSTRUCTIONS IMPORTANTES – MODE D'EMPLOI

Modèles: BFQL50, BFQLA50,
BFQL60, BFQL70, BFQL80

Air King
Ventilation Products®

Ventilateur d'Évacuation



LIRE ET CONSERVER CES INSTRUCTIONS

LIRE SOIGNEUSEMENT AVANT DE TENTER D'ASSEMBLER, INSTALLER, OPÉRER OU DE RÉPARER LE PRODUIT DÉCRIT. PROTÉGEZ VOUS-MÊME ET LES AUTRES EN OBSERVANT TOUTE L'INFORMATION DE SÉCURITÉ. FAILLIR À SE CONFORMER AUX INSTRUCTIONS PEUT RÉSULTER EN BLESSURE PERSONNELLE GRAVE ET/OU EN DOMMAGE À LA PROPRIÉTÉ.



CONSERVER CES INSTRUCTIONS POUR RÉFÉRENCES FUTURES.

INSTRUCTIONS GÉNÉRALES DE SÉCURITÉ



Lors de l'utilisation d'appareils électriques, des précautions de base doivent toujours être suivies pour réduire les risques d'incendie, de choc électrique et de blessures corporelles, incluant ce qui suit:



AVERTISSEMENT : POUR RÉDUIRE LES RISQUES D'INCENDIE, DE CHOC ÉLECTRIQUE OU DE BLESSURES PERSONNELLES OBSERVER CE QUI SUIT:

- Utiliser cette unité seulement de la manière pour laquelle le fabricant l'a conçu. Si vous aviez des questions, veuillez contacter le fabricant.
- Avant d'effectuer un service ou de nettoyer l'unité, couper l'alimentation électrique dans le panneau de distribution et verrouiller le dispositif de déconnexion afin d'éviter que l'alimentation ne revienne accidentellement. Lorsque le dispositif ne peut être verrouillé, fixer solidement un avis d'avertissement, tel qu'une étiquette, au panneau de distribution.



AVERTISSEMENT : POUR RÉDUIRE LES RISQUES D'INCENDIE, DE CHOC ÉLECTRIQUE OU DE BLESSURES PERSONNELLES OBSERVER CE QUI SUIT:

- Le travail d'installation et le câblage électrique doivent être effectués par une(des) personne(s) qualifiée(s) en conformité avec tous les codes et normes applicables, incluant la construction relative aux incendies.
- De l'air en quantité suffisante est requis pour la bonne combustion et l'évacuation de gaz par le conduit (cheminée) provenant d'équipement de brûlage au combustible pour prévenir un refoulement. Suivre les directives du fabricant de l'équipement de chauffage et les normes de sécurité telles que celles publiées par la National Fire Protection Association (NFPA) et de la American Society for Heating, Refrigeration, and Air Conditioning Engineers (ASHRAE), et de celles des autorités locales du code.
- Lors de coupe ou de perçage des murs et plafonds, ne pas endommager le filage électrique et autres utilités cachées.



ATTENTION : POUR USAGE DE VENTILATION GÉNÉRALE EXCLUSIVEMENT. NE PAS UTILISER POUR ÉVACUER DU MATÉRIEL ET DES VAPEURS DANGEREUSES OU EXPLOSIVES.

- Les ventilateurs avec conduits doivent toujours être évacués vers l'extérieur
- Si cet appareil doit être installé au-dessus d'une baignoire ou d'une douche, il doit être marqué comme approprié pour l'application et connecté à un DDFT (disjoncteur différentiel de fuite à la terre) - circuit de dérivation protégé.
- Cette unité doit être mise à la terre
- Pour éviter des dommages aux roulements des moteurs et/ou des hélices bruyantes ou déséquilibrées, empêcher la poussière de cloison sèche, poussière de construction, etc., d'atteindre l'unité de puissance.
- Lire toutes les instructions avant d'installer ou d'utiliser le ventilateur.
- Approprié pour l'usage avec le dispositif de commande électronique de vitesse.



AVERTISSEMENT : NE PAS UTILISER DANS LES CUISINES



AVERTISSEMENT : LA CANALISATION DE CE VENTILATEUR À L'EXTÉRIEUR DU BÂTIMENT A UN EFFET IMPORTANT SUR LE FLUX D'AIR, LE BRUIT ET LA CONSOMMATION D'ÉNERGIE DU VENTILATEUR. UTILISEZ LA ROUTE DE CANALISATION LA PLUS COURTE ET LA PLUS DROITE POSSIBLE POUR UNE MEILLEURE PERFORMANCE, ET ÉVITEZ D'INSTALLER LE VENTILATEUR AVEC DES CONDUITS PLUS PETITS QUE RECOMMANDÉ. L'ISOLATION AUTOUR DES CONDUITS PEUT RÉDUIRE LA PERTE D'ÉNERGIE ET EMPÊCHER LE DÉVELOPPEMENT DE MOISSURES. IL SE PEUT QUE LES VENTILATEURS INSTALLÉS AVEC DES CONDUITS EXISTANTS N'ATTEIGNENT PAS LEUR DÉBIT D'AIR NOMINAL.

CONSERVER CES INSTRUCTIONS

INSTRUCTIONS D'INSTALLATION



ATTENTION : VOUS ASSURER QUE L'ALIMENTATION EST COUPÉE AU PANNEAU DE SERVICE AVANT DE COMMENCER L'INSTALLATION.

SECTION 1

Préparation du Ventilateur d'évacuation

- Sortir le ventilateur de sa boîte et confirmer que toutes les pièces sont présentes. En plus du ventilateur d'évacuation vous devriez avoir :
 - 1 - Grille avec une lentille d'éclairage
 - 1 - Ensemble de clapet (attaché)
 - 1 - Support de Montage
 - 1 - Ampoule de type LED
 - 1 - Sac de la Quincaillerie
 - 1 - Connecteur Électrique
 - 4 - Coinceurs à Câbles
 - 1 - Feuillet d'instructions / sécurité
- Enlever le couvercle du compartiment à câble et le ranger dans l'emballage jusqu'à ce que vous en ayez besoin afin qu'il ne soit pas perdu ou endommagé (**Figure 1**).

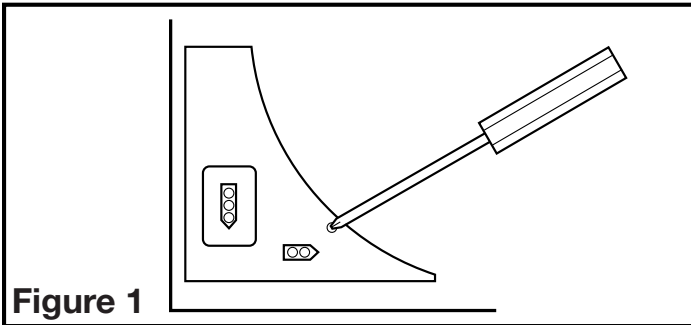


Figure 1

- Choisir l'emplacement pour votre ventilateur. Pour garantir la meilleure qualité d'air et performance acoustique, il est recommandé que la longueur de la canalisation et le nombre de coudes soient réduits au minimum, que le rayon de chaque coude soit aussi grand que possible pour l'installation, et que des conduits rigides isolés soient utilisés. Des conduits plus gros réduiront le bruit et les restrictions du débit d'air.
- Sélectionner l'alvéole défonçable la mieux appropriée et l'enlever à l'aide d'un tournevis à lame plate (**Figure 2**).
- Aucun matériel amortissant de vibrations supplémentaire n'est nécessaire pour ce ventilateur.

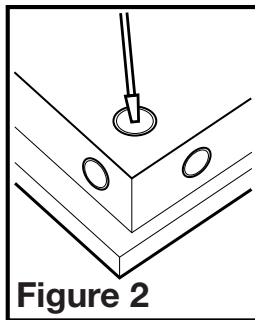


Figure 2

SECTION 2

Nouvelle construction

- En utilisant le guide sur le support de montage, aligner le support sur la solive pour que le dessous du ventilateur soit à effleurement avec le plafond fini. Clouer ou visser solidement le support en place (**Figure 3**).

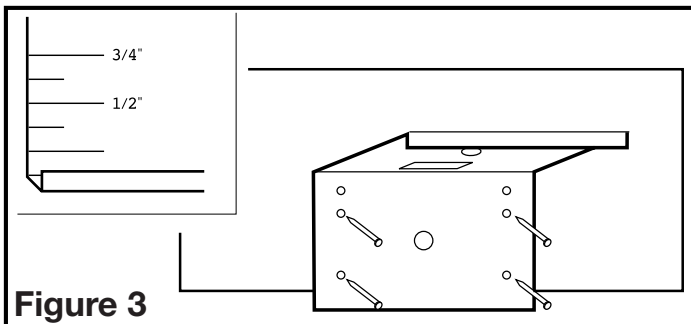


Figure 3

- Fixer par pression le bâti du ventilateur dans le support (**Figure 4**). Le ventilateur peut être fixé par pression en position avec le collet de conduit faisant face à gauche ou à droite en fonction de quelle direction est la plus pratique.

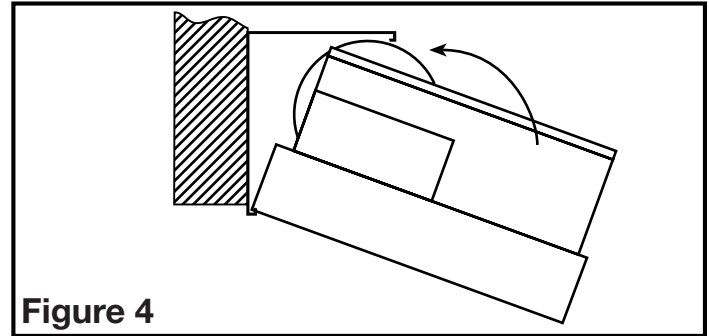


Figure 4

SECTION 3

Construction Existante

- Positionner le cabinet contre la solive ou le montant et tracer le contour du cabinet sur le matériau du mur / plafond. Mettre le cabinet de côté et découper l'ouverture, en prenant bien soin de ne pas couper ou endommager d'utilité électrique ou dissimulée (**Figure 5**).

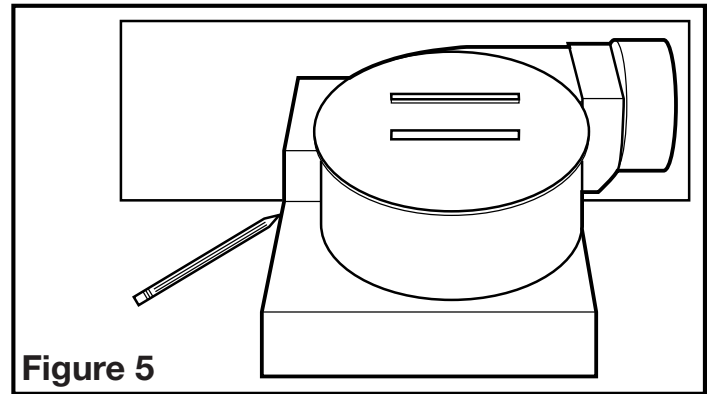


Figure 5

- Aligner le support sur la solive de manière que le bas du ventilateur soit à effleurement avec le plafond fini. Clouer ou visser solidement le support à fixer par pression en place (**Figure 3**).
- Fixer par pression le bâti du ventilateur dans le support (**Figure 4**). Le ventilateur peut être fixé par pression en position avec le collet de conduit faisant face à gauche ou à droite en fonction de quelle direction est la plus pratique.

SECTION 4

Conduits

NOTE: UN CONDUIT PLUS RIGIDE DE 4 PO OU PLUS EST RECOMMANDE POUR UNE MEILLEURE PERFORMANCE.



ATTENTION : TOUS LES CONDUITS DOIVENT ÊTRE CONFORMES AUX CODES DU BÂTIMENT LOCAUX ET NATIONAUX.

- Raccorder le conduit au collet de conduit du ventilateur (**Figure 6**). Fixer en place à l'aide de ruban ou de serre-joint. Toujours évacuer le ventilateur vers l'extérieur au travers de chapeau mural ou de toit. Il est recommandé que les raccords d'extrémité basse de restriction sont utilisées.

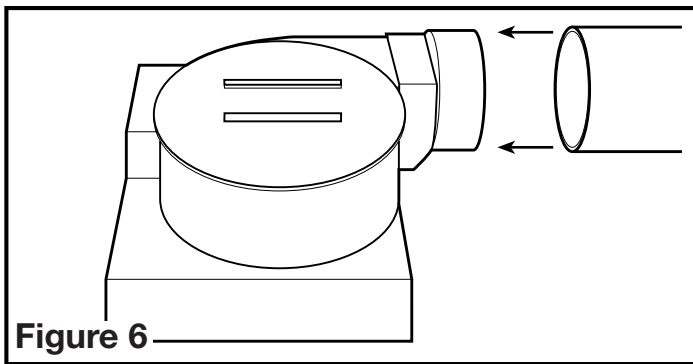


Figure 6

- Assurez-vous que les joints des conduits et les pénétrations extérieures sont scellés avec du mastic ou tout autre matériau similaire pour créer un passage d'air étanche afin de minimiser la perte ou le gain de chaleur et réduire le risque de condensation. Placez / enveloppez l'isolant autour du conduit et / ou ventilateur afin de minimiser la possibilité d'accumulation de condensation à l'intérieur du conduit, ainsi que la perte ou le gain de chaleur (Figure 7).

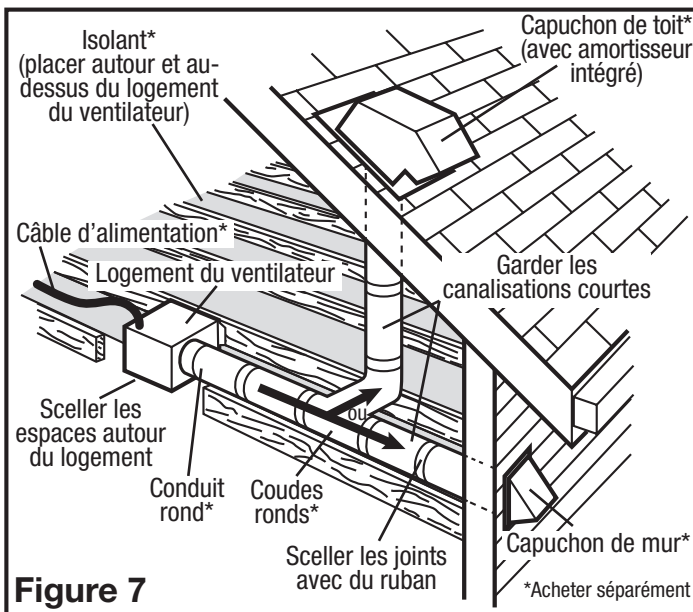


Figure 7

SECTION 5

Câblage



ATTENTION : VOUS ASSURER QUE L'ALIMENTATION EST COUPÉE AU PANNEAU DE SERVICE AVANT DE COMMENCER L'INSTALLATION.



ATTENTION : TOUTES LES CONNEXIONS DOIVENT ÊTRE FAITES EN CONFORMITÉ AVEC LES CODES ÉLECTRIQUES LOCAUX OU NATIONAUX. SI VOUS N'ÊTES PAS FAMILIER AVEC LES MÉTHODES D'INSTALLATION DE CÂBLAGE ÉLECTRIQUE, RECOURREZ AUX SERVICES D'UN ÉLECTRICIEN QUALIFIÉ.

- Câblage du ventilateur/de la lumière sur des circuits indépendants :** courir le câblage à partir d'un commutateur mural approuvé et de capacité appropriée. Un fil de neutre (blanc), un fil de mise à la terre (vert ou cuivre nu), et deux fils vivants (le fil noir raccordé à l'interrupteur). Fixer les câbles électriques au châssis à l'aide de connecteur électrique approuvé. Vous assurer que vous laissez suffisamment de câble dans la boîte pour permettre le raccordement au réceptacle du ventilateur.
 - Par là où vous avez accès à l'intérieur de la boîte de jonction du ventilateur, raccorder un fil blanc de la maison aux deux fils blancs du réceptacle de la lumière du ventilateur et le fil blanc du réceptacle du ventilateur d'évacuation. Raccorder le premier fil noir provenant du commutateur mural au fil noir du réceptacle de la lumière.

Raccorder le second fil noir provenant de la maison vers le réceptacle du ventilateur d'évacuation. Raccorder le fil de mise à la terre de la maison au fil vert du réceptacle du ventilateur (Figure 8). Utiliser des méthodes de raccordement approuvées pour toutes les connexions.

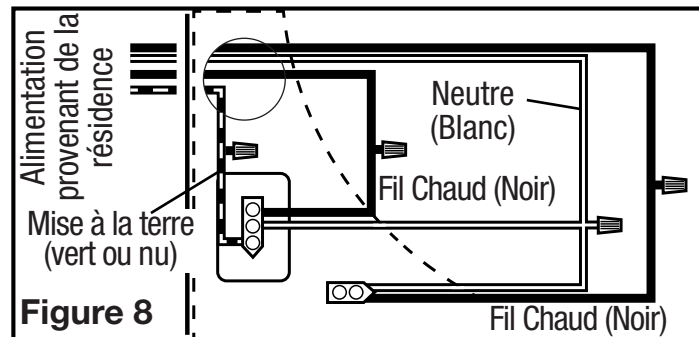


Figure 8

- Câblage du ventilateur/de la lumière sur le même circuit :** courir le câblage d'un commutateur mural approuvé et de capacité appropriée. Un neutre (blanc), un de mise à la terre (vert ou cuivre nu), et un vivant (fil noir raccordé à l'interrupteur mural). Fixer les câbles électriques au châssis avec un connecteur électrique approuvé. Vous assurer de laisser suffisamment de câble dans la boîte pour faire le raccordement au réceptacle du ventilateur.
 - Par là où vous avez accès à l'intérieur de la boîte de jonction du ventilateur, raccorder un fil blanc provenant de la maison aux deux fils blancs du réceptacle de la lumière et le fil blanc du réceptacle du ventilateur d'évacuation. Raccorder le fil noir provenant du commutateur mural aux deux fils noirs du réceptacle de la lumière et au fil noir du réceptacle du ventilateur d'évacuation. Raccorder le fil de mise à la terre de la maison au fil vert du réceptacle du ventilateur (Figure 9). Utiliser des méthodes de raccordement approuvées pour toutes les connexions.

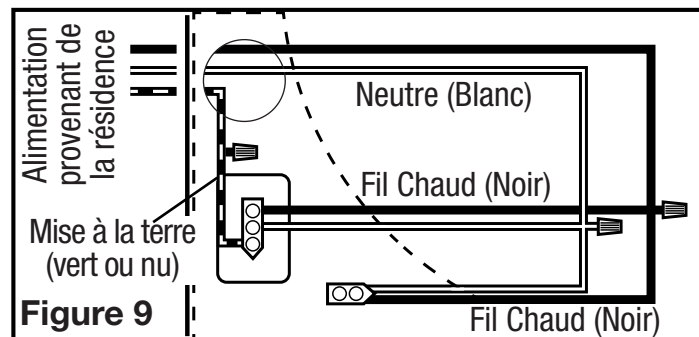


Figure 9

SECTION 6

Complétion de l'installation

- Il est recommandé d'utiliser un scellant approprié pour le contact avec les matériaux de construction actuels et pour les besoins de la température de l'installation, afin d'empêcher les fuites d'air à partir des espaces non conditionnés. S'il y a des grands écarts entre le boîtier de l'appareil et le plafond, du matériel supplémentaire (tige de support, matériel de plafond) peut être nécessaire.

NOTE : Ce ventilateur est conçu pour le contact d'isolation directe (type IC). Il est aussi recommandé que ce ventilateur soit complètement recouvert par l'isolation afin de réduire la perte de chaleur ou de gagner de l'espace inconditionné.

- Réinstaller le couvercle du compartiment de câble du ventilateur en place. Faire tourner la roue de la soufflante à la main pour vous assurer qu'elle tourne librement. Brancher le cordon à raccordement rapide dans le réceptacle. Ce cordon ne s'ajuste que d'une seule façon dans le réceptacle (Figure 10).

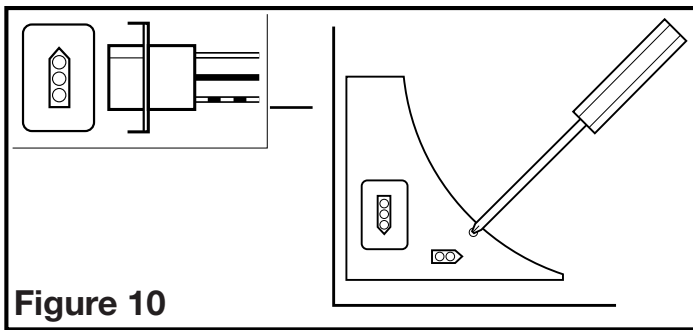


Figure 10

NOTE: Si vous utilisez ce ventilateur pour répondre aux exigences de la norme ASHRAE 62.2, repérez l'étiquette à l'intérieur du boîtier du ventilateur et complétez les informations appropriées.

3. Installez le grille/la lentille/le réflecteur de lampe, en enlevant d'abord la lentille du grille (il y a deux languettes de chaque côté qui tiennent la lentille en place). Enlevez ensuite l'écrou borgne et la rondelle de freinage qui sont installés sur le boulon de fixation de réflecteur dans le logement du ventilateur. Ajustez la hauteur du boulon de fixation du réflecteur de sorte que le grille soit serré vers le haut contre le plafond de finition et moins de 1/4 po du boulon de fixation du réflecteur dépasse par le réflecteur. Fixez la position du boulon du réflecteur en serrant l'écrou d'origine contre le clip du moteur (**Figure 11**).

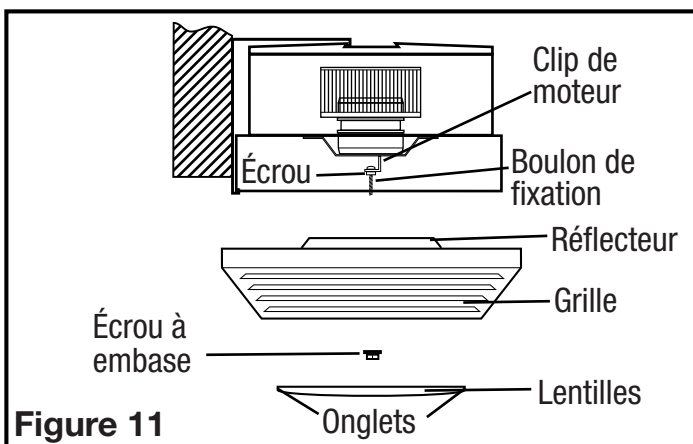


Figure 11

ATTENTION : UN MANQUEMENT À BIEN SERRER LE BOULON DU RÉFLECTEUR PEUT RÉSULTER EN UN BRUIT DE CRÉCELLEMENT ET DE RONRONNEMENT.

4. Après avoir fixé le boulon du réflecteur, soulevez le grille/réflecteur vers le haut, en place, et branchez le réflecteur au réceptacle approprié. Fixez l'assemblage au boulon du réflecteur en utilisant l'écrou borgne et la rondelle de freinage. Installez la lampe LED de 6 watts dans la douille en alignant les broches de la base de la lampe à la prise de la douille de lampe. Tournez le corps de la lampe dans le sens horaire jusqu'à ce que la lampe s'enclenche et est fermement en place dans la douille (**Figure 12**).

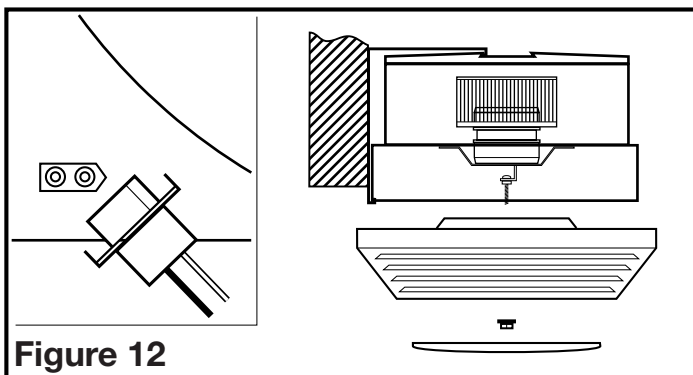


Figure 12

5. Réinstallez la lentille dans le grille.
6. Restaurer l'alimentation et tester votre installation.

SECTION 7

Utilisation et entretien



ATTENTION : VOUS ASSURER QUE L'ALIMENTATION EST COUPÉE AU PANNEAU DE SERVICE AVANT DE COMMENCER L'INSTALLATION.



ATTENTION : PERMETTRE À L'AMPOULE DE SE REFROIDIR AVANT DE LA REPLACER.

Remplacement de l'ampoule

Enlevez la lentille d'éclairage en serrant les languettes et en tirant vers le bas (**Figure 13**). Enlevez la lampe en tournant doucement la base de lampe dans le sens contraire des aiguilles d'une montre tout en appliquant une pression extérieure. L'installation est l'inverse du démontage. Remplacez par une lampe à lumière mixte de 26 watts du modèle Air King 26SBL ou d'un modèle compatible GU24.

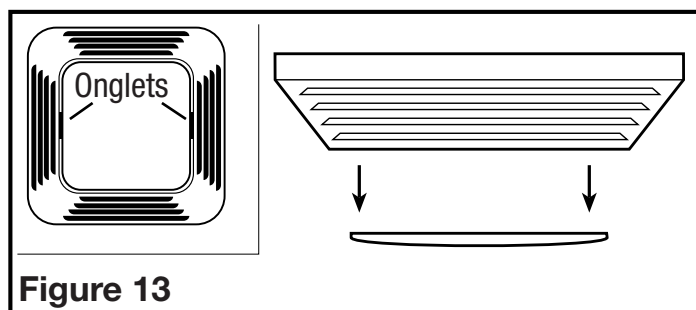


Figure 13

Nettoyage de la grille

Retirer la grille et utiliser un détergent doux, tel que du liquide pour la vaisselle, puis sécher à l'aide d'un chiffon doux. NE JAMAIS UTILISER D'ABRASIF OU DE POUDRE À RÉCURER. Sécher complètement la grille avant de la réinstaller. Pour réinstaller la grille, vous référer à la **Section 6 - Complétion de l'installation**.

Nettoyage de l'assemblage du ventilateur

Débrancher le cordon du moteur de son réceptacle. Nettoyer toutes les pièces avec un chiffon sec ou passer délicatement l'aspirateur dans le ventilateur. NE JAMAIS IMMERGER DES PIÈCES ÉLECTRIQUES DANS L'EAU. Rebrancher le cordon et remettre l'alimentation.

RÉSIDENTS DE LA CALIFORNIE UNIQUEMENT :



AVERTISSEMENT : CE PRODUIT PEUT VOUS EXPOSER À UN PRODUIT CHIMIQUE [OU À DES PRODUITS CHIMIQUES] CONNU(S) PAR L'ÉTAT DE LA CALIFORNIE POUR CAUSER LE CANCER.



AVERTISSEMENT : CE PRODUIT PEUT VOUS EXPOSER À UN PRODUIT CHIMIQUE [OU À DES PRODUITS CHIMIQUES] CONNU(S) PAR L'ÉTAT DE LA CALIFORNIE POUR CAUSER LA TOXICITÉ ENVERS LES FONCTIONS DE LA REPRODUCTION.

Guide de dépannage

Trouble	Cause Possible	Solution Suggérée
1. Le ventilateur ne fonctionne pas lorsque l'interrupteur est à la position en marche.	1a. Un fusible peut être grillé ou un disjoncteur peut être déclenché. 1b. La fiche de raccord du moteur n'est pas connectée. 1c. Le câblage n'est pas raccordé correctement. 1d. Le moteur est terminée	1a. Remplacer le fusible ou réinitialiser le disjoncteur. 1b. Couper l'alimentation à l'unité. Retirer la grille et brancher le moteur dans le réceptacle dans le cabinet. Remettre l'alimentation sur l'unité. 1c. Couper l'alimentation de l'unité. Vérifier que tous les fils sont raccordés. 1d. Remplacez la moteur
2. Le ventilateur fonctionne, mais l'air circule plus lentement que la normale.	2. Obstruction dans les conduits d'évacuation.	2. Vérifier pour toute obstruction dans les conduits. Les plus courantes sont des nids d'oiseau dans le chapeau de toit ou mural là où le ventilateur s'évacue vers l'extérieur.
3. Le ventilateur fonctionne de manière plus bruyante que la normale.	3a. Le moteur est lâche. 3b. L'hélice du ventilateur frotte contre le cabinet de l'unité.	3a. Couper l'alimentation à l'unité. Retirer la grille et vérifier que toutes les vis sont complètement serrées. Remettre l'alimentation sur l'unité. 3b. Appeler votre marchand pour un service.

GARANTIE LIMITÉE

QUE COUVRE CETTE GARANTIE : Ce produit est garanti contre tout vice de fabrication ou de matière.

COMBIEN DE TEMPS CETTE GARANTIE DURE : Cette garantie se rapporte seulement à l'acheteur original du produit et dure pendant cinq (5) années de la date de l'achat original ou jusqu'à ce que l'acheteur original du produit vend ou transfère le produit, celui qui se produit en premier.

QUE FERA AIR KING : Au cours de la période de garantie, Air King, à son choix, réparera ou remplacera n'importe quelle partie ou pièces qui s'avèrent défectueuses ou remplacera le produit entier par le même modèle ou un modèle comparable.

CE QUE CETTE GARANTIE NE COUVRE PAS : Cette garantie ne s'applique pas si le produit était endommagé ou arrête de fonctionner en raison d'un accident, d'une mauvaise manipulation, l'installation ou opération, de dommages d'expédition, d'abus, de mauvaise utilisation, de réparation faite ou tentées non autorisées. Cette garantie ne couvre pas les coûts d'expédition pour le retour des produits à Air King pour la réparation ou le remplacement. Air King payera les frais d'expédition de retour de Air King après les réparations ou le remplacement de garantie.

TOUTES LES GARANTIES, EXPRESSES OU TACITES (COMPRENANT, SANS LIMITATION, TOUTE GARANTIE TACITE DE VALEUR MARCHANDE), DURENT UN AN DE LA DATE DE L'ACHAT ORIGINAL OU JUSQU'À CE QUE L'ACHETEUR ORIGINAL DU PRODUIT VEND OU TRANSFÈRE LE PRODUIT, CELUI QUI SE PRODUIT EN PREMIER ET DANS AUCUN CAS AIR KING N'ASSUME AUCUNE RESPONSABILITÉ EXPRESSE OU TACITE POUR (I) DES DOMMAGES ACCIDENTELS OU INDIRECTS DE N'IMPORTE QUELLE CAUSE, OU (II) LE REMPLACEMENT OU LA RÉPARATION DE TOUS FUSIBLES, DISJONCTEURS OU RÉCEPTACLES DE MAISON. MALGRÉ N'IMPORTE QUOI À L'EFFET CONTRAIRE, DANS AUCUN CAS LA RESPONSABILITÉ D'AIR KING, SOUS UNE GARANTIE EXPRESSE OU TACITE, NE DÉPASSERA LE PRIX D'ACHAT DU PRODUIT ET UNE TELLE RESPONSABILITÉ SE TERMINERA AVEC L'EXPIRATION DE LA PÉRIODE DE GARANTIE.

Certains états et provinces ne permettent pas les limitations de la période de garantie, ou l'exclusion ou la restriction des dommages accidentels ou indirects, et, par conséquent, les présentes restrictions ne peuvent pas s'appliquer. La présente garantie vous donne des droits légaux spécifiques et peut-être certains autres droits qui peuvent varier selon la province. La preuve d'achat est exigée avant qu'une réclamation de garantie ne soit acceptée.

SERVICE À LA CLIENTÈLE :

Sans frais (800) 465-7300

Notre équipe de service à la clientèle est disponible pour vous aider avec des questions sur le produit, les adresses des centres de service, et les pièces de rechange. Vous pouvez la rejoindre, du lundi au vendredi, de 8h:00 à 16h:00 HNE. Veuillez avoir le numéro du modèle disponible, ainsi que le genre et le style (qui se trouvent sur l'étiquette à l'intérieur de votre produit). Veuillez ne pas renvoyer le produit à l'endroit de l'achat.

www.airkinglimited.com

IL SE PEUT QUE LES PIÈCES POUR LES PRODUITS DISCONTINUÉS, OBSOLÈTES ET AUTRES PRODUITS NE SOIENT PAS DISPONIBLES. POUR DES RAISONS DE SÛRETÉ, BEAUCOUP DE COMPOSANTS ÉLECTRONIQUES ET LA PLUPART DES COMPOSANTS DES CHAUFFAGES NE SONT PAS À LA DISPOSITION DES CONSOMMATEURS POUR L'INSTALLATION OU LE REMPLACEMENT.

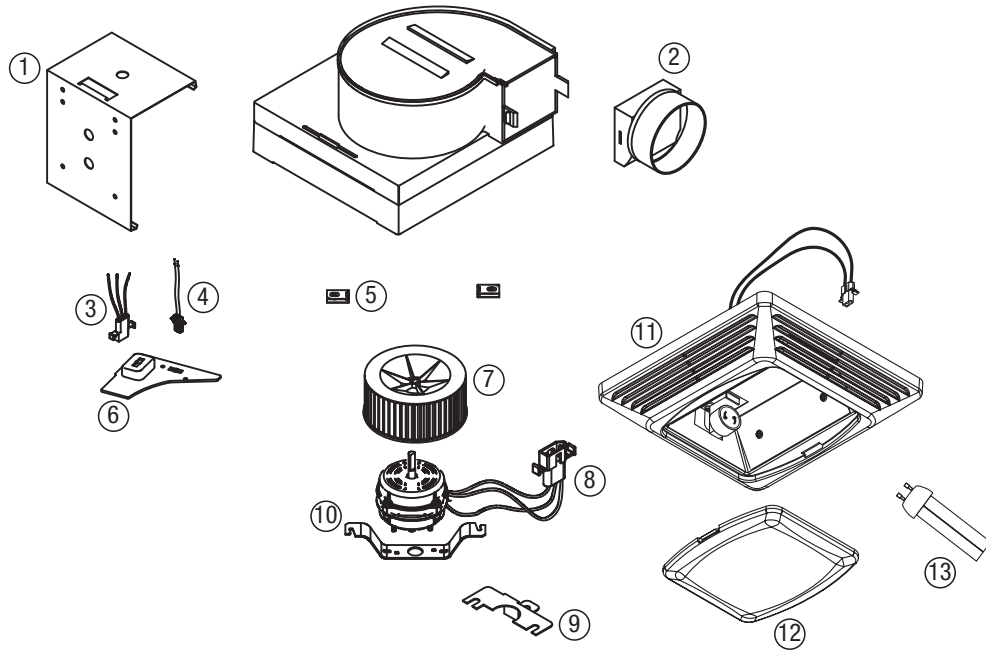
Installateur : _____

Date d'installation : _____

Endroit de l'achat : _____

Numéro de modèle : _____

DIAGRAMME DES PIÈCES DE REMPLACEMENT



#	Qté.	Description	# de pièce de remplacement
1	1	Support à Fixer par Pression	5S2205027
2	1	Assemblée de collier	5S2299054
3	1	Réceptacle du Moteur	5S2205004
4	1	Réceptacle de la Lumière	5S1201012
5	2	Clip	5S2205025
6	1	Couvercle des câbles	5S2205040
7	1	Roue de la Soufflante	5S2299004
8	1	Moteur - BFQL50	5S2205035
	1	Moteur - BFQL60	5S2205036
	1	Moteur - BFQL70	5S2205037
	1	Moteur - BFQL80	5S2205034
9	1	Clip	5S2205029
10	1	Support du Moteur	5S2299003
11	1	Assemblée de grille	5S9205030
12	1	Lentille d'éclairage	5S2205031
13	1	Lampe de 6 watts LED	5S1299725