

# IMPORTANT INSTRUCTIONS - OPERATING MANUAL

Models: ES80SH, ES130SH,  
ES80DH, ES130DH



Exhaust Fan

## READ AND SAVE THESE INSTRUCTIONS

READ CAREFULLY BEFORE ATTEMPTING TO ASSEMBLE, INSTALL, OPERATE OR MAINTAIN THE PRODUCT DESCRIBED. PROTECT YOURSELF AND OTHERS BY OBSERVING ALL SAFETY INFORMATION. FAILURE TO COMPLY WITH INSTRUCTIONS COULD RESULT IN PERSONAL INJURY AND/OR PROPERTY DAMAGE!

RETAIN INSTRUCTIONS FOR FUTURE REFERENCE.

## GENERAL SAFETY INFORMATION

When using electrical appliances, basic precautions should always be followed to reduce the risk of fire, electric shock and injury to person, including the following:

### TO REDUCE THE RISK OF FIRE, ELECTRIC SHOCK AND INJURY TO PERSON, OBSERVE THE FOLLOWING:

- a) Use this unit only in the manner intended by the manufacturer. If you have questions, contact the manufacturer.
- b) Before servicing or cleaning the unit, switch power off at service panel and lock the service disconnecting means to prevent power from being switched on accidentally. When the service disconnecting means cannot be locked, securely fasten a prominent warning device, such as a tag, to the service panel.

### TO REDUCE THE RISK OF FIRE, ELECTRIC SHOCK AND INJURY TO PERSON, OBSERVE THE FOLLOWING:

- a) Installation work and electrical wiring must be done by qualified person(s) in accordance with all applicable codes and standards, including fire-related construction.
- b) Sufficient air is needed for proper combustion and exhausting of gases through the flue (chimney) of fuel burning equipment to prevent back drafting. Follow the heating equipment manufacturer's guideline and safety standards such as those published by the National Fire Protection Association (NFPA) and the American Society for Heating, Refrigeration, and Air Conditioning Engineers (ASHRAE), and the local code authorities.
- c) When cutting or drilling into wall or ceiling, do not damage electrical wiring and other hidden utilities.

- d) Ducted fans must always be vented to the outdoors.
- e) If this unit is to be installed over a tub or shower, it must be marked as appropriate for the application and be connected to a GFCI (Ground Fault Circuit Interrupter) - protected branch circuit.
- f) This unit must be grounded.
- g) To avoid motor bearing damage and noisy and/or unbalanced impellers, keep drywall spray, construction dust, etc. off power unit.
- h) NEVER place a switch where it can be reached from a tub or shower.
- i) Suitable for use with electronic speed control device.
- j) Do not install into ceilings thermally insulated to a value greater than R40.

**CAUTION: FOR GENERAL VENTILATING USE ONLY. DO NOT USE TO EXHAUST HAZARDOUS OR EXPLOSIVE MATERIALS AND VAPORS.**

**WARNING: DO NOT USE IN KITCHENS.**

- k) Read all instructions before installing or using exhaust fan.

## SAVE THESE INSTRUCTIONS

# INSTALLATION INSTRUCTIONS

**CAUTION:** MAKE SURE POWER IS SWITCHED OFF AT SERVICE PANEL BEFORE STARTING INSTALLATION.

## SECTION 1

### Preparing the Exhaust Fan

1. Unpack fan from the carton and confirm that all pieces are present. In addition to the exhaust fan you should have:
  - 1 - Grill
  - 1 - Damper Assembly (attached)
  - 4 - Mounting Rails
  - 1 - Mounting Flange
  - 1 - Instruction/Safety Sheet
2. Choose the location for your fan. To ensure the best air and sound performance, it is recommended that the length of ducting and the number of elbows be kept to a minimum, and that insulated hard ducting be used. Larger duct sizes will reduce noise and airflow restrictions. This fan will require at least 10" of clearance in the ceiling or wall, and will mount through drywall up to 3/4" thick.
3. Select the most convenient electrical knockout and remove using a straight-blade screw driver (Figure 1).

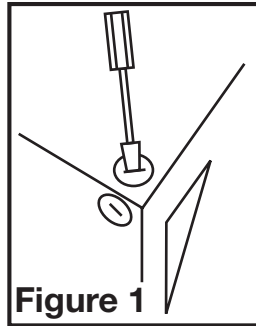


Figure 1

## SECTION 2

### New Construction

1. Install the rails on the housing and position the housing next to the joist. Line up housing so that it will be flush with the finished ceiling. Secure the ends of the rails with screws or nails (not included) to the joists and slide the housing into the final position (Figure 2).

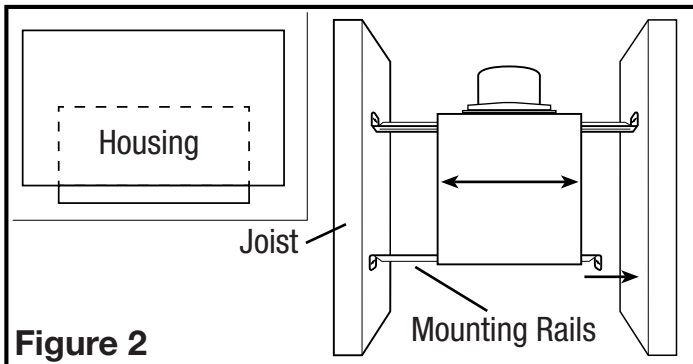


Figure 2

## SECTION 3

### Existing Construction

1. Set housing in position between the joist and trace an outline onto the ceiling material (Figure 3). Set housing aside and cut opening, being careful not to cut or damage any electrical or other hidden utilities. Install the rails on the housing and position the housing in the previously cut hole so that it is flush with the finished ceiling. Secure the ends of the rails to the joists (Figure 3).

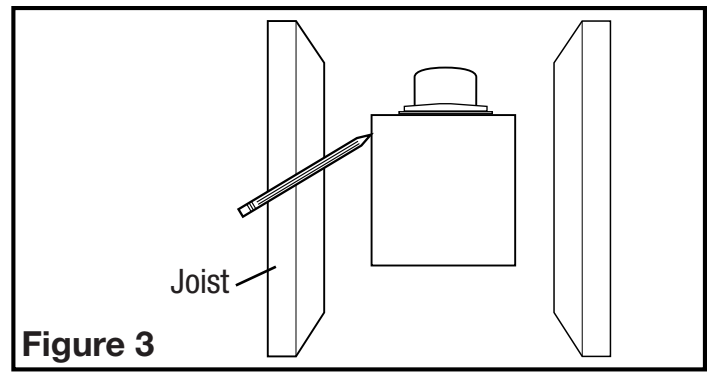


Figure 3

## SECTION 4

### Ducting

**CAUTION:** ALL DUCTING MUST COMPLY WITH LOCAL AND NATIONAL BUILDING CODES.

1. Connect the ducting to the fan's duct collar (Figure 4). Secure in place using tape or screw clamp. Always duct the fan to the outside through a wall or roof cap.

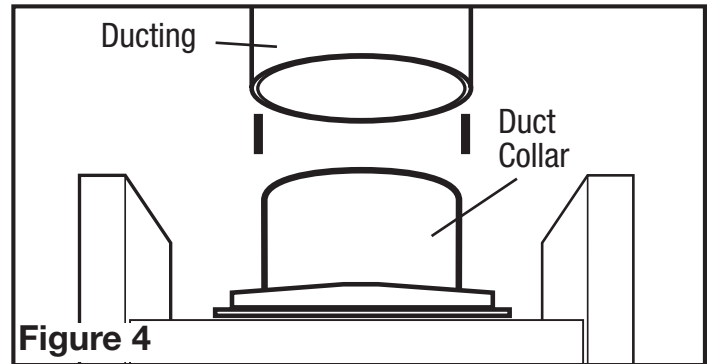


Figure 4

## SECTION 5

### Wiring

**CAUTION:** MAKE SURE POWER IS SWITCHED OFF AT SERVICE PANEL BEFORE STARTING INSTALLATION.

**CAUTION:** ALL ELECTRICAL CONNECTIONS MUST BE MADE IN ACCORDANCE WITH LOCAL CODES, ORDINANCES, OR NATIONAL ELECTRICAL CODE. IF YOU ARE UNFAMILIAR WITH METHODS OF INSTALLING ELECTRICAL WIRING, SECURE THE SERVICES OF A QUALIFIED ELECTRICIAN.

**NOTE:** This unit includes a side access panel for wiring that does not require the removal of the fan's blower assembly. If you choose to wire the unit from the inside, you will need to remove the blower assembly and internal wiring compartment. Both methods are equally effective.

- 1a. External Wire Compartment: Remove the wire compartment cover screw and place cover in a secure place (Figure 5).

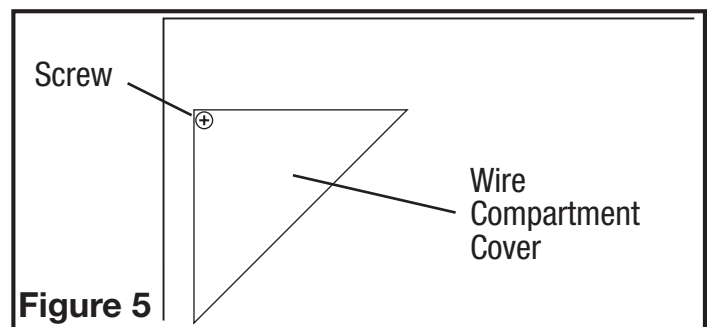
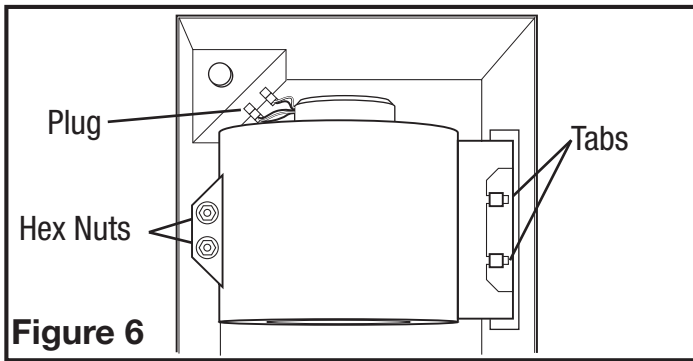
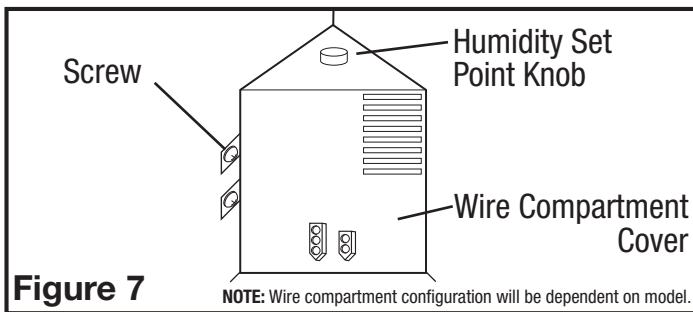


Figure 5

- 1b. Internal Wire Compartment: Using a 7/16" socket, remove the two hex nuts holding the blower assembly in place. Lift up on the assembly and slide it out of the tabs on the housing (**Figure 6**). Remove the wire compartment cover screw and place the cover in a secure place (**Figure 7**).

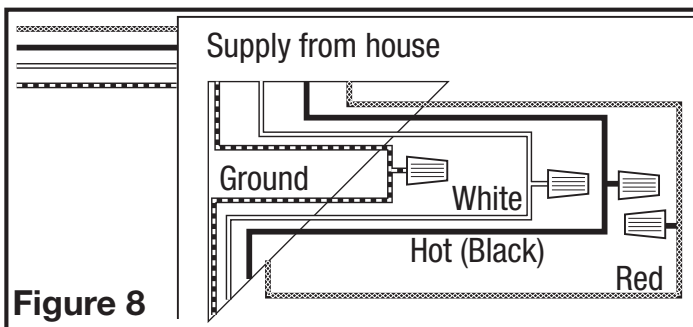


**NOTE:** If the fan motor plug is connected to the fan housing receptacle, unplug so the blower assembly can be completely removed.



#### SINGLE SPEED UNITS (models ES80SH and ES130SH)

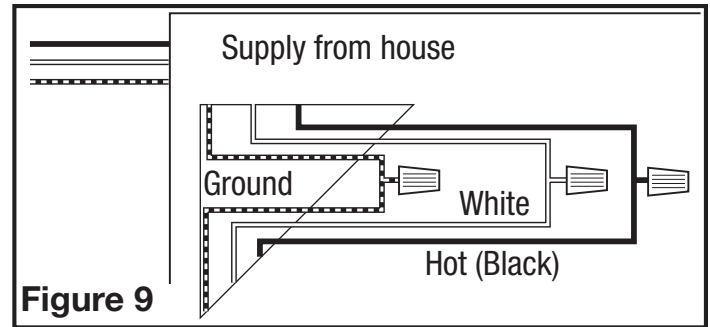
- 2a. For proper operation the humidity sensing fan will require a 3 way switch (not included). Run wiring between the fan and the switch location. Make sure you leave enough wiring in each box to make the connections. At the switch box connect the black wire from the house to the common terminal of the switch. Connect the black wire from the fan to one of the switched terminals on the switch. This position will energize the automatic mode and the fan will energize upon a rise in humidity. Connect the red wire from the fan to the other switched terminal on the switch. This position will activate the Manual On feature and energize the fan. Properly connect the ground and neutral (if applicable) mount the switch and the cover.
- 2b. From where you have chosen to access the fan's junction box, connect the white wire from the house to the white wire from the fan. Connect the wire from the automatic position on the wall switch to the black wire from the fan, connect the wire from the manual On position on the switch to the red wire from the fan. Connect the ground wire from the house to the green wire from the fan housing (**Figure 8**). Use approved methods for all connections.



#### TWO SPEED UNITS (models ES80DH and ES130DH)

3. **Continuous Ventilation:** For two speed fans wired for continuous ventilation, connect the White wire of the fan to the White (Neutral) wire from the power source. Connect the ground wire from the house

to the green wire from the fan housing. Connect the Black wire of the fan to the Black wire (Hot) from the power source. The fan will operate on low speed continuously and boost to high upon a rise in humidity. A manual override switch (not included) can be used to provide a manual fan Off function. (**Figure 9**).



**NOTE:** The fan's receptacle wires might need to be pulled outside compartment for connection. Only pull the five loose wires outside of compartment. Additional wires will be present.

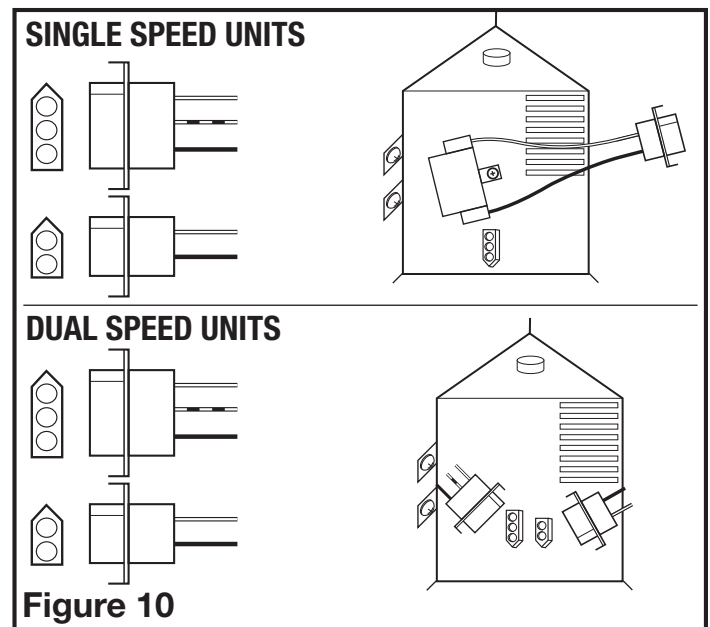
**NOTE:** Unit must be grounded according to all local and national codes.

4. Carefully tuck wire back inside wire compartment and replace wire compartment cover securing with the screw that was removed earlier.

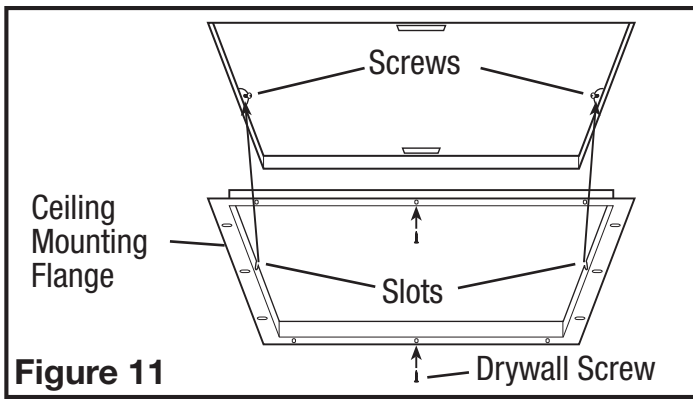
## SECTION 6

### Completing the Installation

1. If the fan's blower assembly was removed during the wiring process, reinstall the blower by reversing the directions in **Section 4** (Wiring), *Step 1b*.
2. Plug the fan's 3 pin quick connect motor cord into the receptacle located on the side of the wire compartment cover. Plug the 2 pin quick connect motor cord into the receptacle from the capacitor on single speed models (ES80SH, ES130SH), or on the side of the wire compartment on dual speed models (ES80DH, ES130DH). These cords will only fit one way into the receptacles (**Figure 10**).

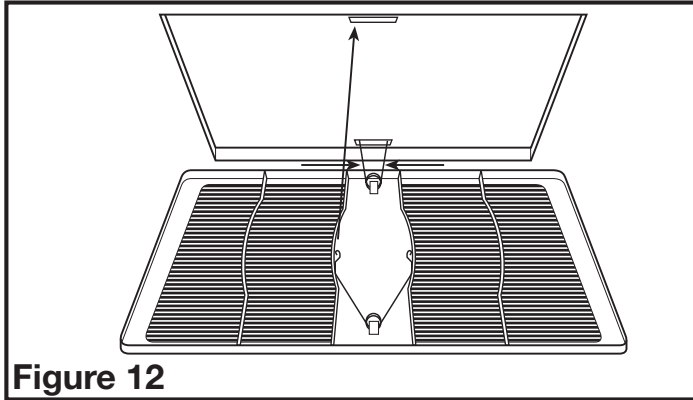


3. Install the ceiling mounting flange to cover any gaps which exist between the housing and the finished ceiling. Line up the slots in the ceiling mounting flange with the screws on the inside of the housing and press flange in place so it is tight against the ceiling. Tighten both screws inside the housing. Install drywall screws (not included) through the holes in the flange and into the ceiling. Install as many drywall screws needed to ensure the flange fits tightly against the ceiling (**Figure 11**).



**Figure 11**

4. Install the grill by squeezing the two ends of the springs together and installing them up into the slots on the fan's housing. Push the grill up into position (**Figure 12**).



**Figure 12**

5. Restore power and test your installation.

## SECTION 7

### Setting the Humidistat

This fan is equipped with a humidity sensor that automatically turns the fan on (or to high speed on dual speed models) when humidity is above set point and off (or back to low speed on dual speed models) when humidity is at or below set point. If the fan is operating too long or not enough, first check to see the humidity sensor set point. In cases where the ambient humidity level of the room rises higher than the preset level, the fan will turn on even if the room is not occupied. This helps prevent conditions that lead to mold growth.

**CAUTION: MAKE SURE POWER IS SWITCHED OFF AT SERVICE PANEL BEFORE SERVICING THE UNIT.**

1. To set the desired humidity level of the room, remove the grill and locate the humidistat dial located on the wire compartment cover.
2. Set the dial to the relative humidity you want the fan to maintain usually between 50 & 80%. Moist climates will require higher settings than dry climates. When the humidity level of the room is below this setting the fan will remain off. When the humidity level rises about this setting the fan will turn on and run until the humidity level falls below this setting.
3. Reinstall the grill and restore power.

## SECTION 8

### Use and Care

**CAUTION: MAKE SURE POWER IS SWITCHED OFF AT SERVICE PANEL BEFORE SERVICING THE UNIT.**

1. **Cleaning the Grill:** Remove grill and use a mild detergent, such as dishwashing liquid, and dry with a soft cloth. NEVER USE ANY ABRASIVE PADS OR SCOURING POWDERS. Completely dry grill before reinstalling. Refer to instructions in **Section 5 Finishing the Installation**, to reinstall grill.
2. **Cleaning the Fan Assembly:** Wipe all parts with a dry cloth or gently vacuum the fan. NEVER IMMERSE ELECTRICAL PARTS IN WATER.

## Troubleshooting Guide

Trouble	Probable Cause	Suggested Remedy
1. Fan does not operate when the switch is on.	1a. A fuse may be blown or a circuit tripped. 1b. Connector plug from motor is not plugged in.  1c. Wiring is not connected properly. 1d. Motor has stopped operating.	1a. Replace fuse or reset circuit breaker. 1b. Turn off power to unit. Remove Grill and plug motor into receptacle in housing. Restore power to unit. 1c. Turn off power to unit. Check that all wires are connected. 1d. Replace motor.
2. Fan is operating, but air moves slower than normal.	2. Obstruction in the exhaust ducting.	2. Check for any obstructions in the ducting. The most common are bird nests in the roof cap or wall cap where the fan exhausts to the outside.
3. Fan is operating louder than normal	3a. Motor is loose.  3b. Fan blade is hitting housing of unit.	3a. Turn off power to unit. Remove grill and check that all screws are fully tightened. Restore power to unit. 3b. Call your dealer for service.

## LIMITED WARRANTY

**WHAT THIS WARRANTY COVERS:** This product is warranted against defects in workmanship and/or materials.

**HOW LONG THIS WARRANTY LASTS:** This warranty extends only to the original purchaser of the product and lasts for five (5) years from the date of original purchase or until the original purchaser of the product sells or transfers the product, whichever first occurs.

**WHAT AIR KING WILL DO:** During the warranty period, Air King will, at its sole option, repair or replace any part or parts that prove to be defective or replace the whole product with the same or comparable model.

**WHAT THIS WARRANTY DOES NOT COVER:** This warranty does not apply if the product was damaged or failed because of accident, improper handling or operation, shipping damage, abuse, misuse, unauthorized repairs made or attempted. This warranty does not cover shipping costs for the return of products to Air King for repair or replacement. Air King will pay return shipping charges from Air King following warranty repairs or replacement

**ANY AND ALL WARRANTIES, EXPRESSED OR IMPLIED (INCLUDING, WITHOUT LIMITATION, ANY IMPLIED WARRANTY OF MERCHANTABILITY), LAST ONE YEAR FROM THE DATE OF ORIGINAL PURCHASE OR UNTIL THE ORIGINAL PURCHASER OF THE PRODUCT SELLS OR TRANSFERS THE PRODUCT, WHICHEVER FIRST OCCURS AND IN NO EVENT SHALL AIR KING'S LIABILITY UNDER ANY EXPRESS OR IMPLIED WARRANTY INCLUDE (I) INCIDENTAL OR CONSEQUENTIAL DAMAGES FROM ANY CAUSE WHATSOEVER, OR (II) REPLACEMENT OR REPAIR OF ANY HOUSE FUSES, CIRCUIT BREAKERS OR RECEPTACLES. NOTWITHSTANDING ANYTHING TO THE CONTRARY, IN NO EVENT SHALL AIR KING'S LIABILITY UNDER ANY EXPRESS OR IMPLIED WARRANTY EXCEED THE PURCHASE PRICE OF THE PRODUCT AND ANY SUCH LIABILITY SHALL TERMINATE UPON THE EXPIRATION OF THE WARRANTY PERIOD.**

Some states and provinces do not allow limitations on how long an implied warranty lasts, or the exclusion or limitation of incidental or consequential damages, so these exclusions or limitations may not apply to you. This warranty gives you specific legal rights. You may also have other rights which vary from state to state and province to province. Proof of purchase is required before a warranty claim will be accepted.

## CUSTOMER SERVICE:

**Toll-Free (800) 465-7300**

Our Customer Service team is available to assist you with product questions, service center locations, and replacement parts. They can be reached Monday through Friday, 8am-4pm Eastern. Please have your model number available, as well as the type and style (located on the label inside of your product).

Please do not return product to place of purchase.

[www.airkinglimited.com](http://www.airkinglimited.com)

**PARTS FOR DISCONTINUED, OBSOLETE AND CERTAIN OTHER PRODUCTS MAY NOT BE AVAILABLE. DUE TO SAFETY REASONS, MANY ELECTRONIC COMPONENTS AND MOST HEATER COMPONENTS ARE NOT AVAILABLE TO CONSUMERS FOR INSTALLATION OR REPLACEMENT.**

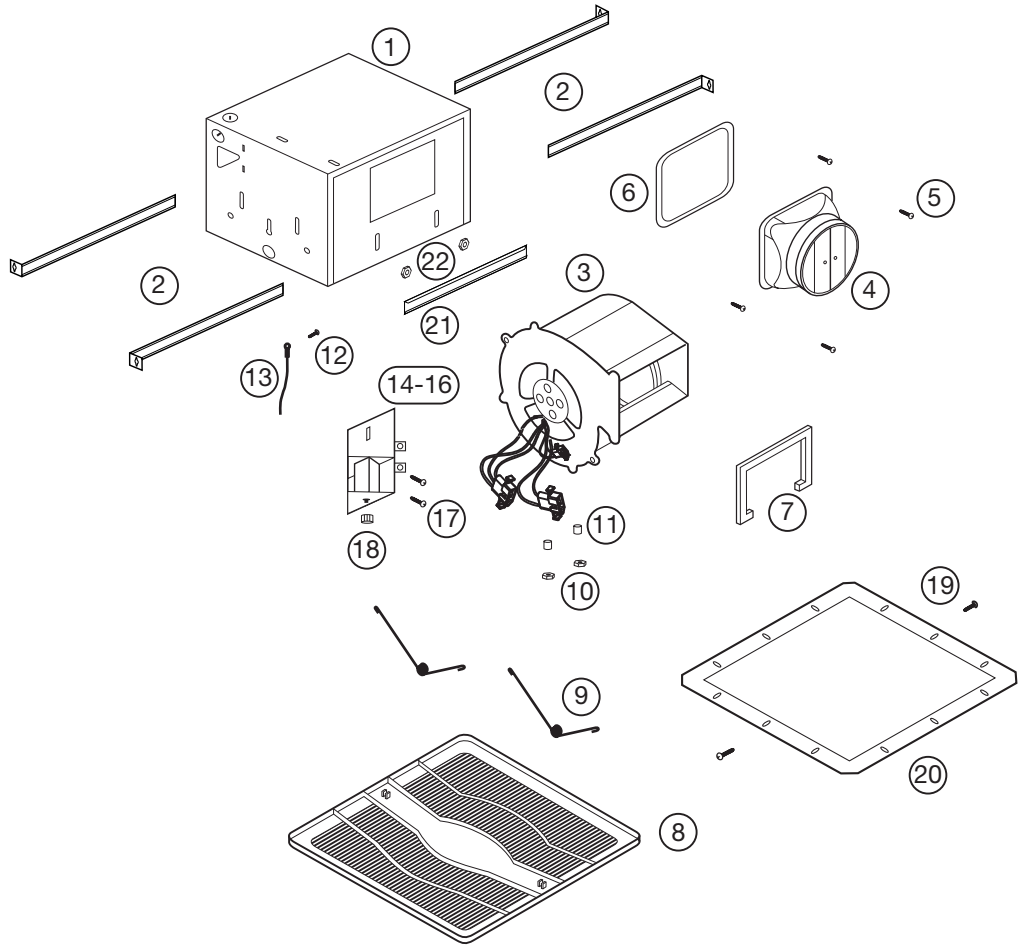
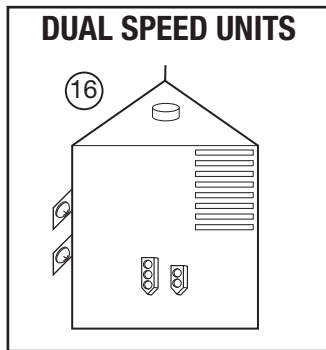
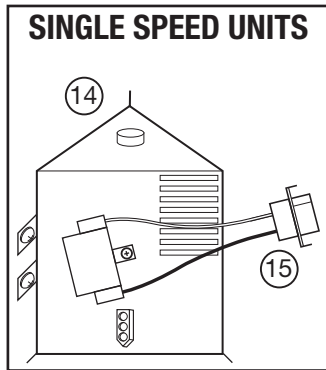
Installer: \_\_\_\_\_

Installation Date: \_\_\_\_\_

Place of Purchase: \_\_\_\_\_

Model Number: \_\_\_\_\_

# REPLACEMENT PARTS DIAGRAM



#	Qty.	Description	Replacement Part #
1	1	Fan Housing	5S1239009
2	4	Mounting Rails	5S1299002
3	1	Blower Assembly	5S2239008
4	1	6" Metal Collar Assembly	5S5299100
5	4	Screws	5S1999010
6	1	Collar Gasket	5S1202054
7	1	Outlet Gasket	5S1202053
8	1	Grill	5S1202048
9	2	Grill Springs	5S1202046
10	2	Flange Nut	5S1202031
11	2	Grommets	5S1202032
12	1	#10 Ground Screw	5S1999002

#	Qty.	Description	Replacement Part #
13	1	14 ga Ground Wire	5S1999003
14	1	Wire Compartment Assembly - ES80S, ES130S	5S1299801
15	1	Wire Harness - ES80S	5S2239002
		Wire Harness - ES130S	5S2239003
16	1	Wire Compartment Assembly - ES80D, ES130D	5S1299803
17	2	Wire Cover Screw #6	5S1999111
18	1	Knob	5S1299802
19	2	Flange Screw	5S1202049
20	1	Ceiling Flange	5S1202050
21	2	Mounting Channel	5S1239021
22	4	Mounting Channel Nut	5S1202041

# INSTRUCTIONS IMPORTANTES – MODE D'EMPLOI

Modèles : ES80SH, ES130SH,  
ES80DH, ES130DH



Ventilateur d'Évacuation

## LIRE ET CONSERVER CES INSTRUCTIONS

LIRE SOIGNEUSEMENT AVANT DE TENTER D'ASSEMBLER, INSTALLER, OPÉRER OU DE RÉPARER LE PRODUIT DÉCRIT.  
PROTÉGEZ

VOUS-MÊME ET LES AUTRES EN OBSERVANT TOUTE L'INFORMATION DE SÉCURITÉ. FAILLIR À SE CONFORMER AUX INSTRUCTIONS PEUT RÉSULTER EN BLESSURE PERSONNELLE GRAVE ET/OU EN DOMMAGE À LA PROPRIÉTÉ.

CONSERVER CES INSTRUCTIONS POUR RÉFÉRENCES FUTURES.

## INSTRUCTIONS GÉNÉRALES DE SÉCURITÉ

Lors de l'utilisation d'appareils électriques, des précautions de base doivent toujours être suivies pour réduire les risques d'incendie, de choc électrique et de blessures corporelles, incluant ce qui suit:

### AVERTISSEMENT : POUR RÉDUIRE LES RISQUES D'INCENDIE, DE CHOC ÉLECTRIQUE OU DE BLESSURES PERSONNELLES OBSERVER CE QUI SUIT :

- a) Utiliser cette unité seulement de la manière pour laquelle le fabricant l'a conçu. Si vous aviez des questions, veuillez contacter le fabricant.
- b) Avant d'effectuer un service ou de nettoyer l'unité, couper l'alimentation électrique dans le panneau de distribution et verrouiller le dispositif de déconnexion afin d'éviter que l'alimentation ne revienne accidentellement. Lorsque le dispositif ne peut être verrouillé, fixer solidement un avis d'avertissement, tel qu'une étiquette, au panneau de distribution.

### AVERTISSEMENT : POUR RÉDUIRE LES RISQUES D'INCENDIE, DE CHOC ÉLECTRIQUE OU DE BLESSURES PERSONNELLES OBSERVER CE QUI SUIT :

- a) Le travail d'installation et le câblage électrique doivent être effectués par une(des) personne(s) qualifiée(s) en conformité avec tous les codes et normes applicables, incluant la construction relative aux incendies.
- b) De l'air en quantité suffisante est requis pour la bonne combustion et l'évacuation de gaz par le conduit (cheminée) provenant d'équipement de brûlage au combustible pour prévenir un refoulement. Suivre les directives du fabricant de l'équipement de chauffage et les normes de sécurité telles que celles publiées par la National Fire Protection Association (NFPA) et de la American Society for Heating, Refrigeration, and Air Conditioning Engineers (ASHRAE), et de celles des autorités locales du code.
- c) Lors de coupe ou de perçage des murs et plafonds, ne pas endommager le filage électrique et autres utilités cachées.

- d) Les ventilateurs avec conduits doivent toujours être évacués vers l'extérieur.
- e) Si cette unité doit être installée au-dessus d'une baignoire ou d'une douche, elle doit être marquée comme approprié pour l'application et être reliée à un GFCI (disjoncteur de fuite à la terre) - circuit électrique protégé.
- f) Cette unité doit être mise à la terre.
- g) Pour éviter des dommages aux roulements des moteurs et/ou des hélices bruyantes ou déséquilibrées, empêcher la poussière de cloison sèche, poussière de construction, etc., d'atteindre l'unité de puissance.
- h) NE JAMAIS placer un interrupteur à un endroit qui puisse être atteint de la baignoire ou de la douche.
- i) Approprié pour l'usage avec le dispositif de commande électronique de vitesse.
- j) N'installez pas sur des plafonds thermiquement isolés à une valeur plus grande que R40.

### AVERTISSEMENT : POUR USAGE DE VENTILATION GÉNÉRALE EXCLUSIVEMENT. NE PAS UTILISER POUR ÉVACUER DU MATÉRIEL ET DES VAPEURS DANGEREUSES OU EXPLOSIVES.

### AVERTISSEMENT : NE PAS UTILISER DANS LES CUISINES

- k) Bien lire toutes les instructions avant d'installer ou d'utiliser le ventilateur d'évacuation.

## CONSERVER CES INSTRUCTIONS

# INSTRUCTIONS D'INSTALLATION

**AVERTISSEMENT : VOUS ASSURER QUE L'ALIMENTATION EST COUPÉE AU PANNEAU DE SERVICE AVANT DE COMMENCER L'INSTALLATION.**

## SECTION 1

### Préparation du Ventilateur d'évacuation

- Sortir le ventilateur de sa boîte et confirmer que toutes les pièces sont présentes. En plus du ventilateur d'évacuation vous devriez avoir :

- 1 - Grille
- 1 - Ensemble de clapet (attaché)
- 4 - Supports de montage
- 1 - Bride de montage
- 1 - Feuillet d'instructions / sécurité

- Choisir un emplacement pour votre ventilateur. Pour assurer la meilleure performance du débit d'air et sonore, il est recommandé que la longueur des conduits et que le nombre de coudes soient gardés au minimum et que des conduits rigides isolés soient utilisés.

Ce ventilateur nécessitera au moins 20,3cm (8po) de dégagement dans le plafond ou le mur, et s'installe au travers de cloison sèche d'une épaisseur de jusqu'à 1,9cm (3/4po).

- Sélectionner l'alvéole défonçable la mieux appropriée et l'enlever à l'aide d'un tournevis à lame plate (**Figure 1**).

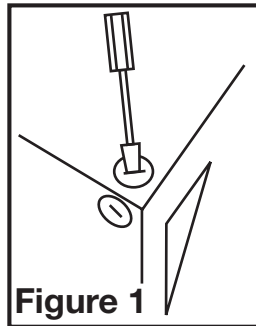


Figure 1

## SECTION 2

### Nouvelle Construction

- Installer les traverses sur le châssis et positionner le châssis près de la solive. Aligner le châssis pour qu'il soit à effleurement avec le plafond fini. Fixer les extrémités des traverses avec des clous ou des vis (non-comprises) aux solives et glisser le châssis à sa position finale (**Figure 2**).

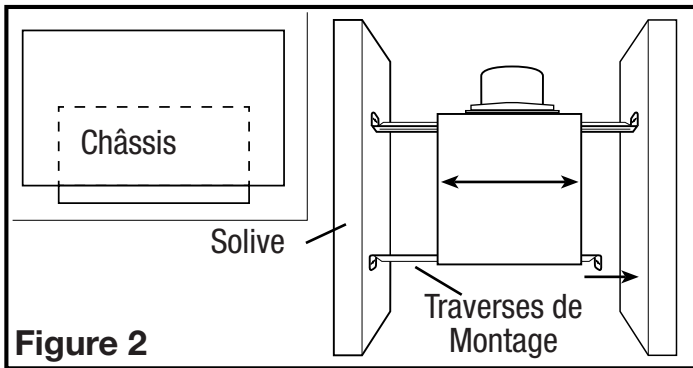


Figure 2

## SECTION 3

### Construction Existante

- Placer le châssis en position entre les solives et tracer un contour sur le matériau du plafond (**Figure 3**). Mettre le châssis de côté et découper l'ouverture, en prenant soin de ne pas couper ou endommager des câbles électriques dissimulés ou autres utilités. Installer les traverses sur le châssis et positionner le châssis dans le trou percé précédemment afin qu'il soit à effleurement avec le plafond fini. Fixer les extrémités des traverses aux solives (**Figure 2**).

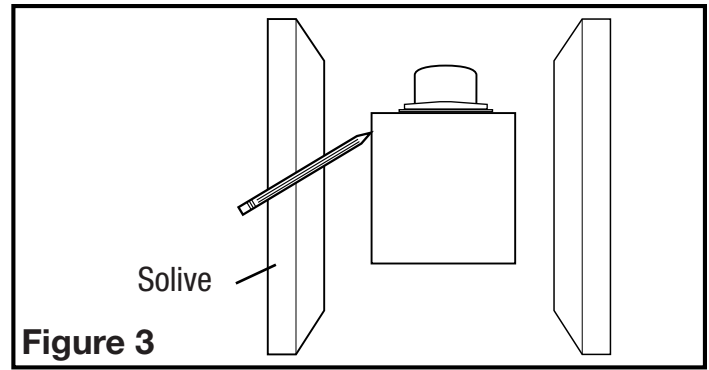


Figure 3

## SECTION 4

### Conduits

**AVERTISSEMENT : TOUS LES CONDUITS DOIVENT ÊTRE CONFORMES AUX CODES DU BÂTIMENT LOCAUX ET NATIONAUX.**

- Raccorder le conduit au collet de conduit du ventilateur (**Figure 4**). Fixer en place à l'aide de ruban ou de serre-joint. Toujours évacuer le ventilateur vers l'extérieur au travers de chapeau mural ou de toit.

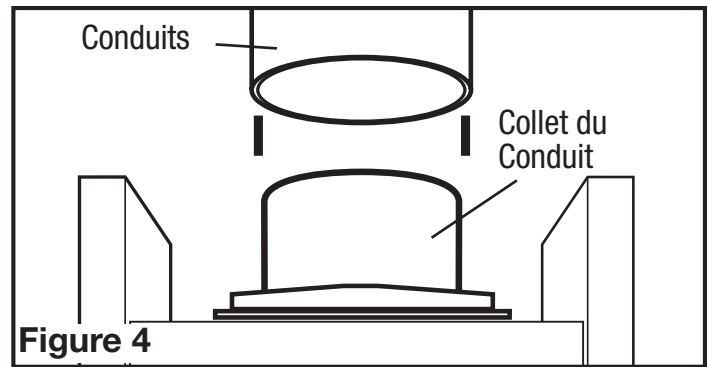


Figure 4

## SECTION 5

### Câblage

**AVERTISSEMENT : VOUS ASSURER QUE L'ALIMENTATION EST COUPÉE AU PANNEAU DE SERVICE AVANT DE COMMENCER L'INSTALLATION.**

**AVERTISSEMENT : TOUTES LES CONNEXIONS DOIVENT ÊTRE FAITES EN CONFORMITÉ AVEC LES CODES ÉLECTRIQUES LOCAUX OU NATIONAUX. SI VOUS N'ÊTES PAS FAMILIER AVEC LES MÉTHODES D'INSTALLATION DE CÂBLAGE ÉLECTRIQUE, RECOURREZ AUX SERVICES D'UN ÉLECTRICIEN QUALIFIÉ.**

**REMARQUE:** Cette unité possède un panneau d'accès latéral pour le câblage qui ne requiert pas l'enlèvement de l'assemblage de la soufflante du ventilateur. Si vous choisissez de raccorder l'unité par l'intérieur, vous aurez besoin d'enlever l'assemblage de la soufflante et le compartiment de câblage intérieur. Les deux méthodes sont également efficaces.

- 1a. Compartiment de Câblage Extérieur : Enlever la vis du couvercle du compartiment à câblage et mettre ce couvercle dans un endroit fiable (**Figure 5**).

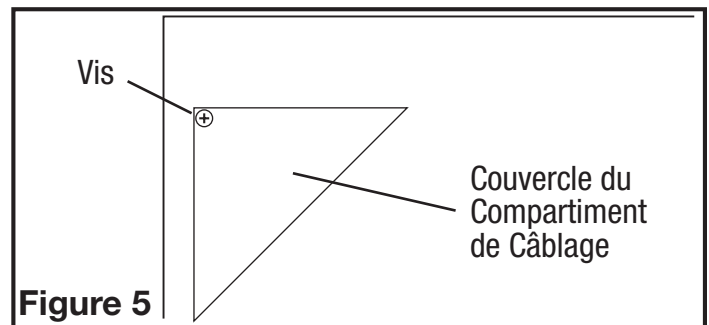
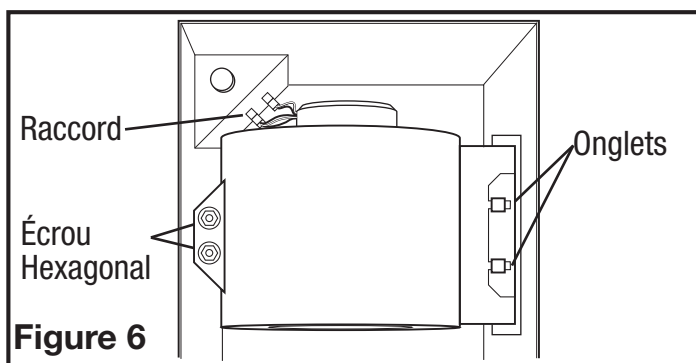


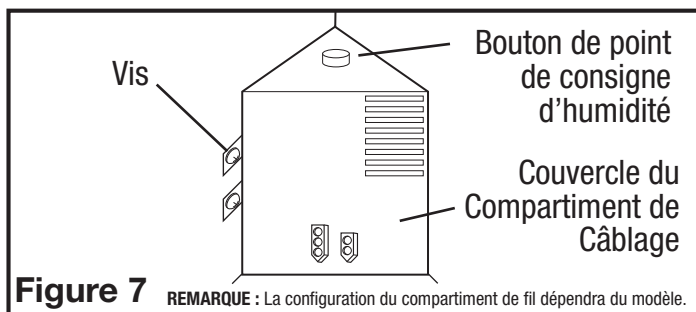
Figure 5



- 1b. Compartiment de Câblage Intérieur: Enlever les trois vis retenant en place l'assemblage de la soufflante et soulever pour sortir l'assemblage hors du châssis (**Figure 6**). Enlever la vis du couvercle du compartiment à câblage et mettre ce couvercle dans un endroit fiable (**Figure 7**).



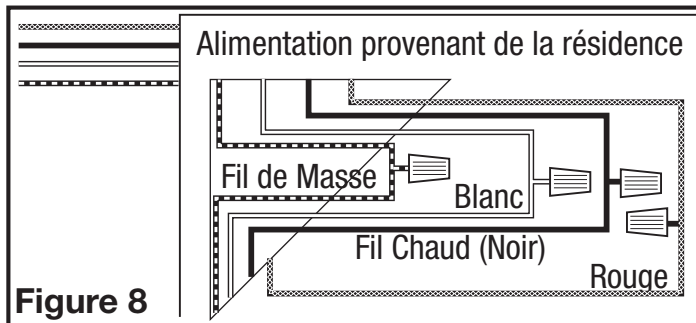
**REMARQUE :** Si le raccord du moteur de ventilateur est raccordé au réceptacle du châssis, le débrancher afin que l'assemblage de la soufflante soit complètement enlevé.



**REMARQUE :** La configuration du compartiment de fil dépendra du modèle.

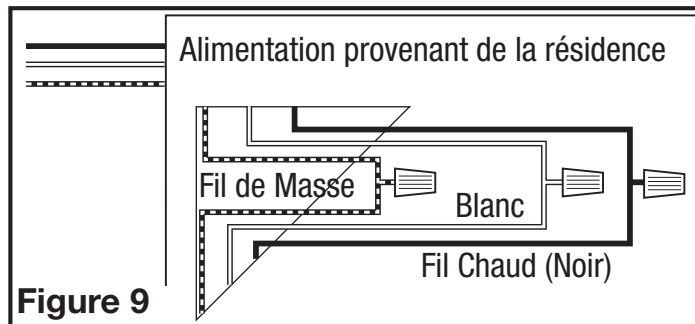
#### UNITÉS À UNE VITESSE (modèles ES80SH et ES130SH)

- 2a. Pour un bon fonctionnement, le ventilateur de détection d'humidité exigera un interrupteur à 3 voies (non inclus). Faites passer le câblage entre le ventilateur et l'emplacement du commutateur. Assurez-vous de laisser suffisamment de câblage dans chaque boîte pour faire les connexions. À la boîte de commutation, connectez le fil noir de la maison à la borne commune du commutateur. Connectez le fil noir du ventilateur à l'une des bornes commutées sur le commutateur. Cette position activera le mode automatique et le ventilateur s'activera après une élévation d'humidité. Connectez le fil rouge du ventilateur à l'autre borne commutée sur le commutateur. Cette position activera le mode manuel et activera le ventilateur. Connectez correctement le fil de terre et neutre (le cas échéant), installez le commutateur et le couvercle.
- 2b. À partir de l'endroit où vous avez choisi d'accéder à la boîte de jonction du ventilateur, connectez le fil blanc de la maison au fil blanc du ventilateur. Connectez le fil de la position automatique sur l'interrupteur mural au fil noir du ventilateur, connectez le fil de la position manuelle sur l'interrupteur au fil rouge du ventilateur. Connectez le fil de terre de la maison au fil vert du boîtier du ventilateur (**Figure 8**). Utiliser des méthodes approuvées pour toutes les connexions.



#### UNITÉS À DEUX VITESSES (modèles ES80DH et ES130DH)

3. **Ventilation continue :** Pour les ventilateurs à deux vitesses câblés pour la ventilation continue, connectez le fil blanc du ventilateur au fil (neutre) blanc de la source d'alimentation. Connectez le fil de terre de la maison au fil vert du boîtier du ventilateur. Connectez le fil noir du ventilateur au fil noir (chaud) de la source d'alimentation. Le ventilateur fonctionnera à vitesse réduite, continuellement, et augmentera de vitesse lors d'une élévation d'humidité. Vous pouvez utiliser un commutateur de priorité manuelle (non inclus) pour fournir la fonction manuelle ARRÊT au ventilateur (**Figure 9**).



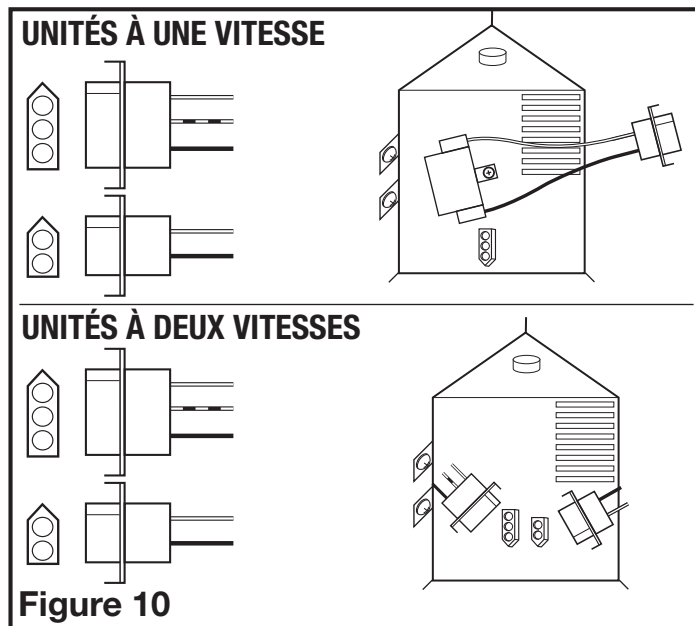
**REMARQUE :** Les fils du réceptacle du ventilateur pourraient nécessiter d'être tirés à l'extérieur du compartiment pour le raccordement. Tirer uniquement les trois fils lâches à l'extérieur du compartiment. Des fils additionnels y sont présents.

4. Regrouper soigneusement les fils à l'intérieur du compartiment pour le raccordement et replacer le couvercle du compartiment en le fixant avec la vis qui fut enlevée précédemment.

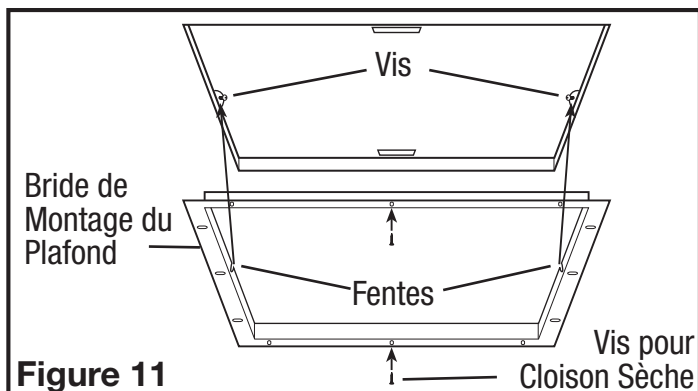
## SECTION 6

### Complétion de l'installation

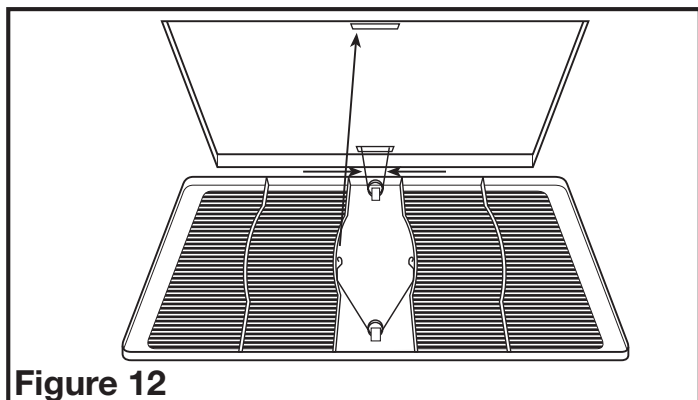
- Si l'assemblage de la soufflante du ventilateur a été enlevé durant le processus de raccordement, réinstaller la soufflante en inversant les instructions à l'étape 1b de la **Section 4** Câblage.
- Branchez le cordon de connexion rapide à 3 broches du moteur dans le réceptacle situé sur le côté du couvercle du compartiment de fil. Branchez le cordon de connexion rapide à 2 broches du moteur dans le réceptacle du condensateur pour les modèles à une vitesse (ES80SH, ES130SH), ou sur le côté du compartiment de fil pour les modèles à deux vitesses (ES80DH, ES130DH). Ces cordons ne peuvent être insérés que dans un seul sens dans les réceptacles (**Figure 10**).



3. Installer la bride de montage du plafond pour couvrir tout espacement qui existe entre le châssis et le plafond fini. Aligner les fentes dans la bride de montage du plafond avec les vis à l'intérieur du châssis et presser la bride en place de sorte qu'elle soit bien serrée contre le plafond. Serrer les deux vis à l'intérieur du châssis. Installer des vis pour cloison sèche (non-comprises) au travers des trous dans la bride et dans le plafond. Installer autant de vis pour cloison sèche que requis pour assurer que la bride s'ajuste solidement contre le plafond (**Figure 11**).



4. Installer la grille en pressant ensemble les deux extrémités des ressorts et en les installant dans les fentes du châssis du ventilateur. Pousser la grille en position (**Figure 12**).



5. Restaurer l'alimentation et tester votre installation.

## SECTION 7

### Réglage de l'humidostat

Ce ventilateur est équipé d'un capteur d'humidité qui allume automatiquement le ventilateur (ou hausse la vitesse pour les modèles à deux vitesses), lorsque l'humidité est supérieure au point de consigne (ou baisse la vitesse pour les modèles à deux vitesses) lorsque l'humidité est inférieure ou égale au point de consigne. Si le ventilateur fonctionne trop longtemps ou pas assez, vérifiez d'abord le point de consigne du capteur d'humidité. Dans le cas où le niveau d'humidité ambiante de la pièce s'élève plus haut que le niveau pré-réglé, le ventilateur s'allumera, même si la salle n'est pas occupée. Ceci aide à éviter les conditions qui mènent à la croissance de moisissures.

### **AVERTISSEMENT : VOUS ASSURER QUE L'ALIMENTATION EST COUPÉE AU PANNEAU DE SERVICE AVANT DE COMMENCER L'INSTALLATION.**

1. Pour régler le niveau désiré d'humidité de la salle, enlevez la grille et localisez le cadran de l'humidostat situé sur le couvercle du compartiment de fil.
2. Réglez le cadran à l'humidité relative que vous voulez que le ventilateur maintienne, habituellement entre 50% et 80%. Les climats humides exigeront des réglages plus élevés que les climats secs. Lorsque le niveau d'humidité de la salle est inférieur à ce réglage, le ventilateur restera éteint. Lorsque le niveau d'humidité monte à ce réglage, le ventilateur s'allumera et fonctionnera jusqu'à ce que le niveau d'humidité tombe au-dessous de ce réglage.
3. Réinstaller la grille et rétablir le courant.

## SECTION 8

### Utilisation et entretien

### **AVERTISSEMENT : VOUS ASSURER QUE L'ALIMENTATION EST COUPÉE AU PANNEAU DE SERVICE AVANT DE COMMENCER L'INSTALLATION.**

1. **Nettoyage de la grille :** Retirer la grille et utiliser un détergent doux, tel que du liquide pour la vaisselle, puis sécher à l'aide d'un chiffon doux. NE JAMAIS UTILISER D'ABRASIF OU DE POUDRE À RÉCURER. Sécher complètement la grille avant de la réinstaller. Pour réinstaller la grille, vous référer à la **Section 6 - Complétion de l'installation**.
2. **Nettoyage de l'assemblage du ventilateur :** Nettoyer toutes les parties à l'aide d'un chiffon sec ou passer délicatement l'aspirateur sur le ventilateur. NE JAMAIS IMMERGER LES PARTIES ÉLECTRIQUES DANS L'EAU.

# Guide de dépannage

Trouble	Cause Possible	Solution Suggérée
1. Le ventilateur ne fonctionne pas lorsque l'interrupteur est à la position en marche.	1a. Un fusible peut être grillé ou un disjoncteur peut être déclenché. 1b. La fiche de raccord du moteur n'est pas connectée. 1c. Le câblage n'est pas raccordé correctement. 1d. La moteur est terminée	1a. Remplacer le fusible ou réinitialiser le disjoncteur. 1b. Couper l'alimentation à l'unité. Retirer la grille et brancher le moteur dans le réceptacle dans le cabinet. Remettre l'alimentation sur l'unité. 1c. Couper l'alimentation de l'unité. Vérifier que tous les fils sont raccordés. 1d. Remplacez la moteur
2. Le ventilateur fonctionne, mais l'air circule plus lentement que la normale.	2. Obstruction dans les conduits d'évacuation.	2. Vérifier pour toute obstruction dans les conduits. Les plus courantes sont des nids d'oiseau dans le chapeau de toit ou mural là où le ventilateur s'évacue vers l'extérieur.
3. Le ventilateur fonctionne de manière plus bruyante que la normale.	3a. Le moteur est lâche. 3b. L'hélice du ventilateur frotte contre le cabinet de l'unité.	3a. Couper l'alimentation à l'unité. Retirer la grille et vérifier que toutes les vis sont complètement serrées. Remettre l'alimentation sur l'unité. 3b. Appeler votre marchand pour un service.

## GARANTIE LIMITÉE

**QUE COUVRE CETTE GARANTIE :** Ce produit est garanti contre tout vice de fabrication ou de matière.

**COMBIEN DE TEMPS CETTE GARANTIE DURE :** Cette garantie se rapporte seulement à l'acheteur original du produit et dure pendant cinq (5) années de la date de l'achat original ou jusqu'à ce que l'acheteur original du produit vend ou transfère le produit, celui qui se produit en premier.

**QUE FERA AIR KING :** Au cours de la période de garantie, Air King, à son choix, réparera ou remplacera n'importe quelle partie ou pièces qui s'avèrent défectueuses ou remplacera le produit entier par le même modèle ou un modèle comparable.

**CE QUE CETTE GARANTIE NE COUVRE PAS :** Cette garantie ne s'applique pas si le produit était endommagé ou arrête de fonctionner en raison d'un accident, d'une mauvaise manipulation ou opération, de dommages d'expédition, d'abus, de mauvaise utilisation, de réparation faite ou tentées non autorisées. Cette garantie ne couvre pas les coûts d'expédition pour le retour des produits à Air King pour la réparation ou le remplacement. Air King payera les frais d'expédition de retour de Air King après les réparations ou le remplacement de garantie.

**TOUTES LES GARANTIES, EXPRESSES OU TACITES (COMPRENANT, SANS LIMITATION, TOUTE GARANTIE TACITE DE VALEUR MARCHANDE), DURENT UN AN DE LA DATE DE L'ACHAT ORIGINAL OU JUSQU'À CE QUE L'ACHETEUR ORIGINAL DU PRODUIT VEND OU TRANSFÈRE LE PRODUIT, CELUI QUI SE PRODUIT EN PREMIER ET DANS AUCUN CAS AIR KING N'ASSUME AUCUNE RESPONSABILITÉ EXPRESSE OU TACITE POUR (I) DES DOMMAGES ACCIDENTELS OU INDIRECTS DE N'IMPORTE QUELLE CAUSE, OU (II) LE REMPLACEMENT OU LA RÉPARATION DE TOUS FUSIBLES, DISJONCTEURS OU RÉCEPTACLES DE MAISON. MALGRÉ N'IMPORTE QUOI À L'EFFET CONTRAIRE, DANS AUCUN CAS LA RESPONSABILITÉ D'AIR KING, SOUS UNE GARANTIE EXPRESSE OU TACITE, NE DÉPASSERA LE PRIX D'ACHAT DU PRODUIT ET UNE TELLE RESPONSABILITÉ SE TERMINERA AVEC L'EXPIRATION DE LA PÉRIODE DE GARANTIE.**

Certains états et provinces ne permettent pas les limitations de la période de garantie, ou l'exclusion ou la restriction des dommages accidentels ou indirects, et, par conséquent, les présentes restrictions ne peuvent pas s'appliquer. La présente garantie vous donne des droits légaux spécifiques et peut-être certains autres droits qui peuvent varier selon la province. La preuve d'achat est exigée avant qu'une réclamation de garantie ne soit acceptée.

## SERVICE À LA CLIENTÈLE :

Sans frais (800) 465-7300

Notre équipe de service à la clientèle est disponible pour vous aider avec des questions sur le produit, les adresses des centres de service, et les pièces de rechange. Vous pouvez la rejoindre, du lundi au vendredi, de 8h:00 à 16h:00 HNE. Veuillez avoir le numéro du modèle disponible, ainsi que le genre et le style (qui se trouvent sur l'étiquette à l'intérieur de votre produit). Veuillez ne pas renvoyer le produit à l'endroit de l'achat.

[www.airkinglimited.com](http://www.airkinglimited.com)

**IL SE PEUT QUE LES PIÈCES POUR LES PRODUITS DISCONTINUÉS, OBSOLÈTES ET AUTRES PRODUITS NE SOIENT PAS DISPONIBLES. POUR DES RAISONS DE SÛRETÉ, BEAUCOUP DE COMPOSANTS ÉLECTRONIQUES ET LA PLUPART DES COMPOSANTS DES CHAUFFAGES NE SONT PAS À LA DISPOSITION DES CONSOMMATEURS POUR L'INSTALLATION OU LE REMPLACEMENT.**

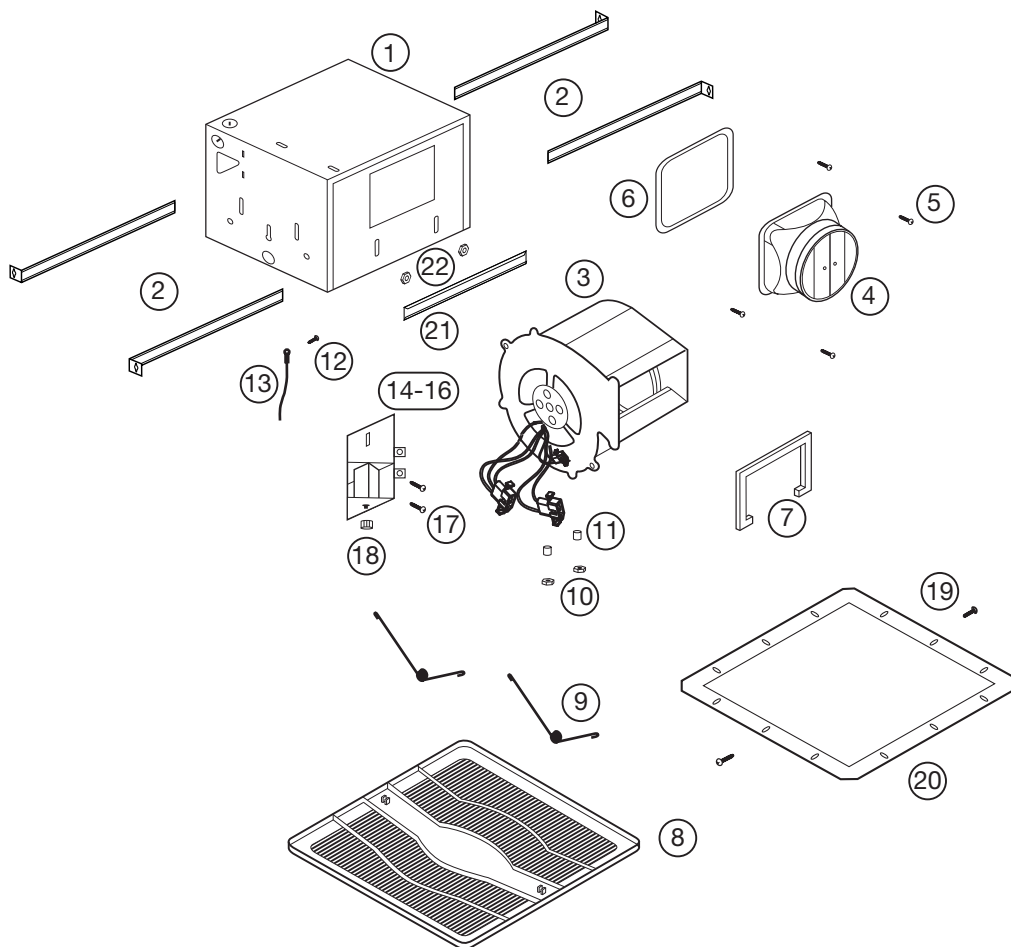
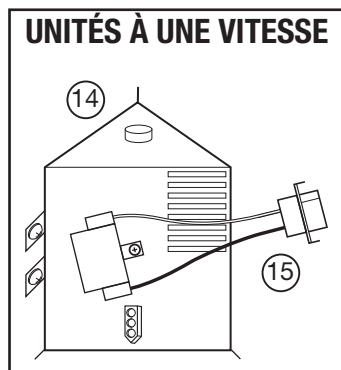
Installateur : \_\_\_\_\_

Date d'installation : \_\_\_\_\_

Endroit de l'achat : \_\_\_\_\_

Numéro de modèle : \_\_\_\_\_

# DIAGRAMME DES PIÈCES DE REMPLACEMENT



#	Qty.	Description	Replacement Part #
1	1	Cabinet du ventilateur	5S1239009
2	4	Traverses de Montage	5S1299002
3	1	Assemblée de la Soufflante	5S2239008
4	1	Assemblée de collier en métal de 6 po	5S5299100
5	4	Vis	5S1999010
6	1	Joint – Collet	5S1202054
7	1	Joint - Extérieur	5S1202053
8	1	Grille	5S1202048
9	2	Ressorts de la grille	5S1202046
10	2	Écrou de la bride	5S1202031
11	2	Passe-fil	5S1202032
12	1	Vis #10 de mise à la terre	5S1999002

#	Qty.	Description	Replacement Part #
13	1	Fil de mise à la terre de calibre # 14	5S1999003
14	1	Assemblée du compartiment du fil - ES80S, ES130D	5S1299801
15	1	Faisceau électrique - ES80S, ES130S	5S2239002
		Faisceau électrique - ES80S, ES130S	5S2239003
16	1	Assemblée du compartiment du fil - ES80D, ES130D	5S1299803
17	2	Vis #6 de la couverture du fil	5S1999111
18	1	Bouton	5S1299802
19	2	Vis de la bride	5S1202049
20	1	Bride du plafond	5S1202050
21	2	Canal de montage	5S1239021
22	4	Écrou du Canal de montage	5S1202041