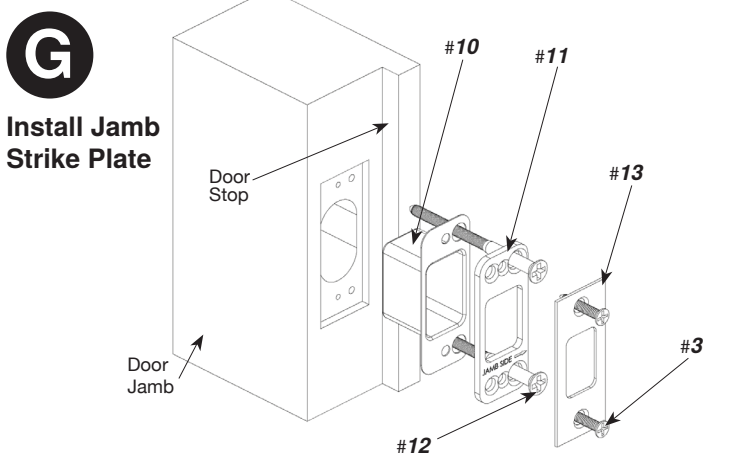
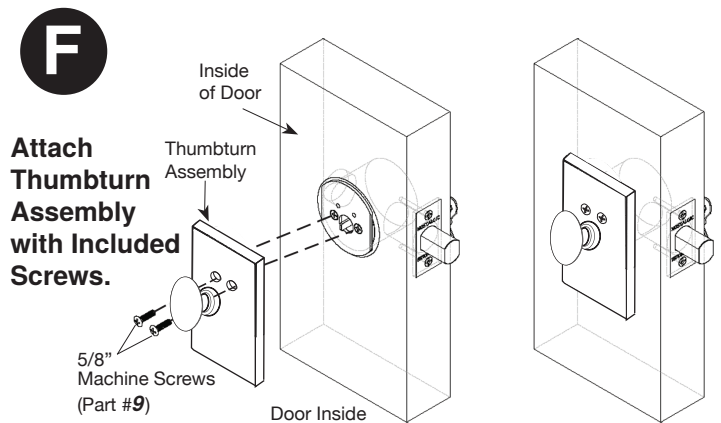
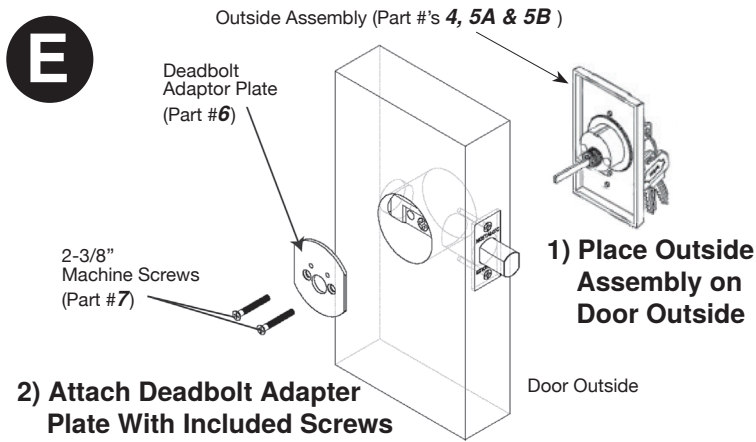
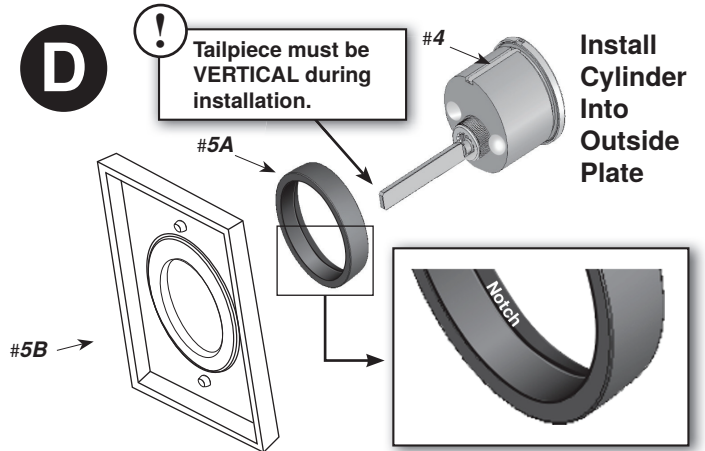
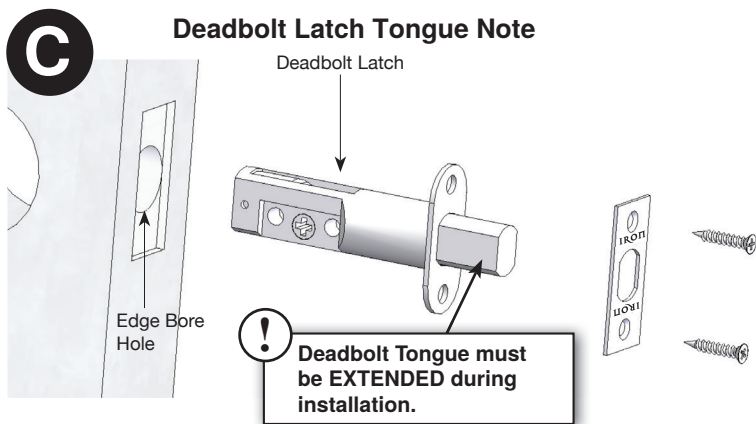
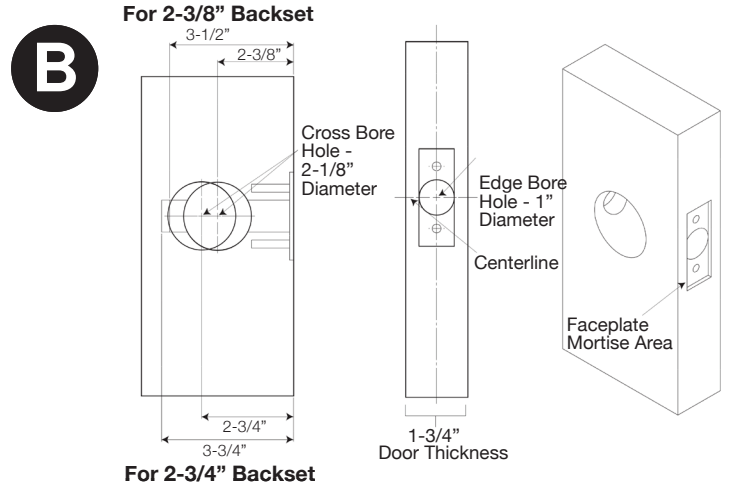
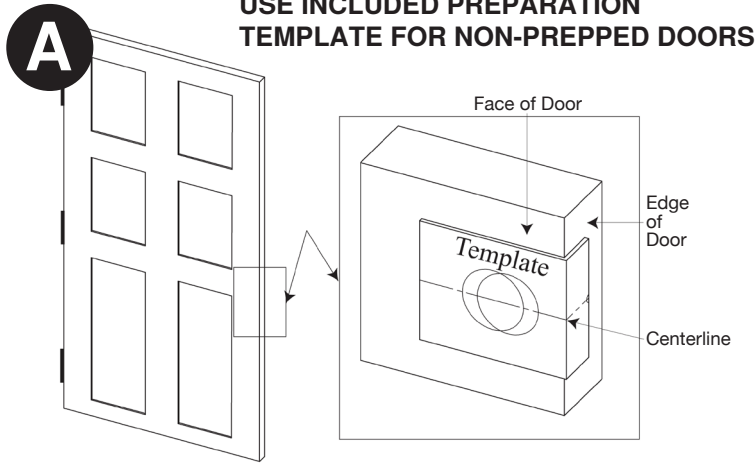
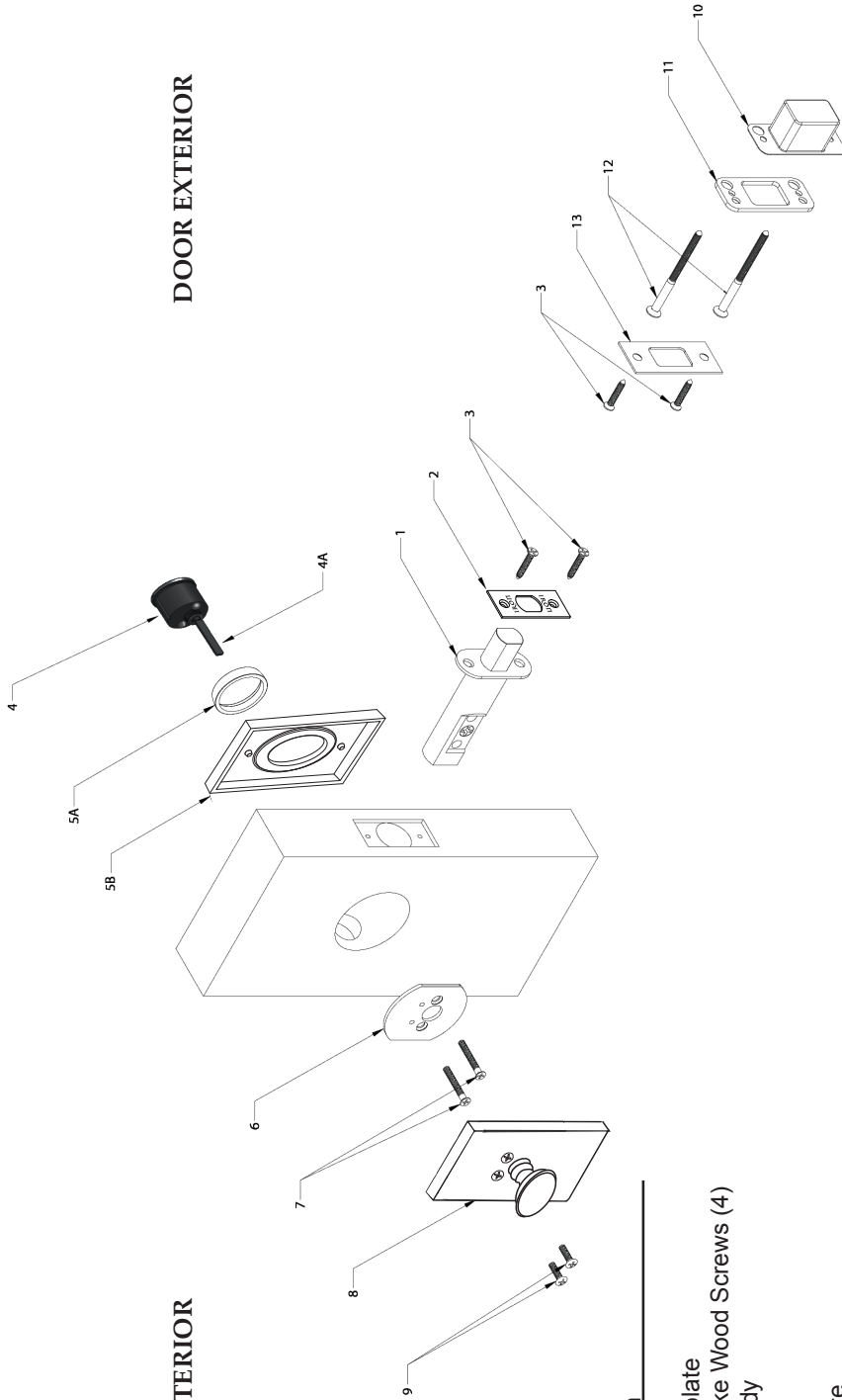


NOTE: Deadbolts fit doors 1-3/4" to 2" thick



NOTE: Deadbolts fit doors 1-3/4" to 2" thick.

Single Cylinder Deadbolt Exploded Parts Drawing



DOOR INTERIOR

DOOR EXTERIOR

Part #	Description
1	Latch
2	Latch Faceplate
3	Latch & Strike Wood Screws (4)
4	Cylinder Body
4A	Tailpiece
5A	Spin Ring
5B	Outside Plate
6	Deadbolt Adapter Plate
7	2-3/8" Machine Screws (2)
8	Thumbturn Assembly
9	5/8" Thumbturn Machine Screws (2)
10	Dust Box
11	Door Frame Reinforcer
12	3" Reinforcer Wood Screws (2)
13	Strike Plate

AGELESS IRON™

For assistance call 1-800-522-7336
Monday through Friday,
7 am to 4 pm Mountain Time
or visit

www.AgelessIronHardware.com



Watch video