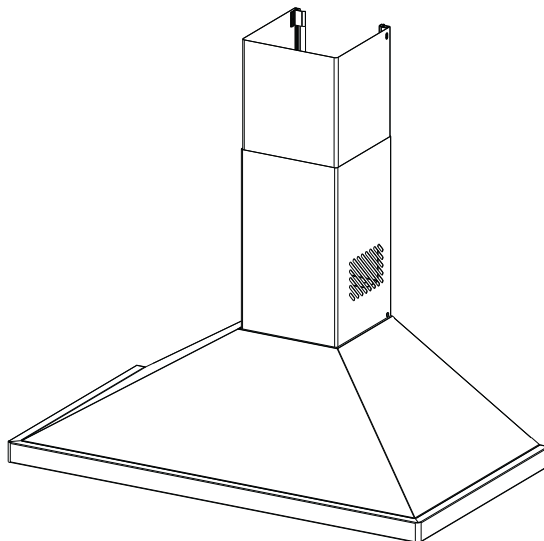


# **AGA** MARVEL



**Installation Instructions  
Use and Care Guide**

**Instructions d'installation  
Mode d'emploi et d'entretien**

**AMCHD36SS/ AMCHD44SS/**

# INDEX

---

WARNINGS AND REQUIREMENTS .....	3
RECOMMENDATIONS AND SUGGESTIONS .....	6
DIMENSIONS and MAIN PARTS .....	7
INSTALLATION.....	8
USE .....	11
CARE .....	12

## READ AND SAVE THESE INSTRUCTIONS

The Installer must leave these instructions with the homeowner.

The homeowner must keep these instructions for future reference and for local electrical inspectors' use.

### READ THESE INSTRUCTIONS BEFORE YOU START INSTALLING THIS RANGEHOOD

**WARNING: - TO REDUCE THE RISK OF A RANGE TOP GREASE FIRE:** Never leave surface units unattended at high settings. Boilovers cause smoking and greasy spillovers that may ignite. Heat oils slowly on low or medium setting. Always turn hood ON when cooking at high heat or when flambéing food (i.e. Crepes Suzette, Cherries Jubilee, Peppercorn Beef Flambé). Clean ventilating fans frequently. Grease should not be allowed to accumulate on fan or filter. Use proper pan size. Always use cookware appropriate for the size of the surface element.

**WARNING: - TO REDUCE THE RISK OF INJURY TO PERSONS IN THE EVENT OF A RANGE TOP GREASE FIRE, OBSERVE THE FOLLOWING: SMOTHER FLAMES** with a close-fitting lid, cookie sheet, or metal tray, then turn off the burner. **BE CAREFUL TO PREVENT BURNS.** If the flames do not go out immediately **EVACUATE AND CALL THE FIRE DEPARTMENT. NEVER PICK UP A FLAMING PAN** - You may be burned. **DO NOT USE WATER**, including wet dishcloths or towels - a violent steam explosion will result. Use an extinguisher **ONLY** if: 1. You know you have a Class ABC extinguisher, and you already know how to operate it. 2. The fire is small and contained in the area where it started. 3. The fire department is being called. 4. You can fight the fire with your back to an exit.

ALL WALL AND FLOOR OPENINGS WHERE THE RANGEHOOD IS INSTALLED MUST BE SEALED.

This rangehood requires at least 24" of clearance between the bottom of the rangehood and the cooking surface or countertop. Consult the cooktop or range installation instructions given by the manufacturer before making any cutouts. **MOBILE HOME INSTALLATION.** The installation of this rangehood must conform to the Manufactured Home Construction and Safety Standards, Title 24 CFR, Part 3280 (formerly Federal Standard for Mobile Home Construction and Safety, Title 24, HUD, Part 280). Four wire power supply must be used and the appliance wiring must be revised. See Electrical Requirements.

## VENTING REQUIREMENTS

**CAUTION** - To reduce risk of fire and to properly exhaust air, be sure to duct air outside – Do not vent exhaust air into spaces within walls or ceilings or into attics, crawl spaces, or garages.

Determine which venting method is best for your application. Ductwork can extend either through the wall or the roof. The length of the ductwork and the number of elbows should be kept to a minimum to provide efficient performance. The size of the ductwork should be uniform. Do not install two elbows together. Use duct tape to seal all joints in the ductwork system. Use caulking to seal exterior wall or floor opening around the cap.

**Flexible ductwork is not recommended. Flexible ductwork creates back pressure and air turbulence that greatly reduces performance.**

Make sure there is proper clearance within the wall or floor for exhaust duct before making cutouts. Do not cut a joist or stud unless absolutely necessary. If a joist or stud must be cut, then a supporting frame must be constructed.

**WARNING - To Reduce The Risk Of Fire, Use Only Metal Ductwork.**

## WARNING

- Venting system **MUST** terminate outside the home.
- **DO NOT** terminate the ductwork in an attic or other enclosed space.
- **DO NOT** use 4" laundry-type wall caps.
- Flexible-type ductwork is **NOT** recommended.
- **DO NOT** obstruct the flow of combustion and ventilation air.
- Failure to follow venting requirements may result in a fire.

## ELECTRICAL REQUIREMENTS

A 120 volt, 60 Hz AC-only electrical supply is required on a separate 15 amp fused circuit. A time delay fuse or circuit breaker is recommended. The fuse must be sized per local codes in accordance with the electrical rating of this unit as specified on the serial/rating plate located inside the unit near the field wiring compartment. **THIS UNIT MUST BE CONNECTED WITH COPPER WIRE ONLY.** Wire sizes must conform to the requirements of the National Electrical Code, ANSI/NFPA 70 - latest edition, and all local codes and ordinances. Wire size and connections must conform with the rating of the appliance. Copies of the standard listed above may be obtained from:

National Fire Protection Association  
Batterymarch Park  
Quincy, Massachusetts 02169

This appliance should be connected directly to the fused disconnect (or circuit breaker) through flexible, armored or no metallic sheathed copper cable. Allow some slack in the cable so the appliance can be moved if servicing is ever necessary. A UL Listed, 1/2" conduit connector must be provided at each end of the power supply cable (at the appliance and at the junction box).

When making the electrical connection, cut a 1 1/4" hole in the wall. A hole cut through wood must be sanded until smooth. A hole through metal must have a grommet.

**WARNING - TO REDUCE THE RISK OF FIRE OR ELECTRIC SHOCK, do not use this fan with any solid-state speed control device.**

**WARNING - TO REDUCE THE RISK OF FIRE, ELECTRICAL SHOCK, OR INJURY TO PERSONS, OBSERVE THE FOLLOWING:** Use this unit only in the manner intended by the manufacturer. If you have any questions, contact the manufacturer.

Before servicing or cleaning unit, switch power off at service panel and lock the service disconnecting means to prevent power from being switched on accidentally. When the service disconnecting means cannot be locked, securely fasten a prominent warning device, such as a tag, to the service panel.

**CAUTION:** For General Ventilating Use Only. Do Not Use To Exhaust Hazardous or Explosive Materials and Vapors.

**WARNING - TO REDUCE THE RISK OF FIRE, ELECTRICAL SHOCK, OR INJURY TO PERSONS, OBSERVE THE FOLLOWING:** Installation Work And Electrical Wiring Must Be Done By Qualified Person(s) In Accordance With All Applicable Codes And Standards, Including Fire-Rated Construction.

Sufficient air is needed for proper combustion and exhausting of gases through the flue (chimney) of fuel burning equipment to prevent backdrafting. Follow the heating equipment manufacturer's guideline and safety standards such as those published by the National Fire Protection Association (NFPA), and the American Society for Heating, Refrigeration and Air Conditioning Engineers (ASHRAE), and the local code authorities.

When cutting or drilling into wall or ceiling, do not damage electrical wiring and other hidden utilities.

Ducted fans must always be vented to the outdoors.

### **WARNING**

- Electrical ground is required on this rangehood.
- If cold water pipe is interrupted by plastic, no metallic gaskets or other materials, **DO NOT** use for grounding.
- **DO NOT** ground to a gas pipe.
- **DO NOT** have a fuse in the neutral or grounding circuit. A fuse in the neutral or grounding circuit could result in electrical shock.
- Check with a qualified electrician if you are in doubt as to whether the range hood is properly grounded.
- Failure to follow electrical requirements may result in a fire.

## **Warranty**

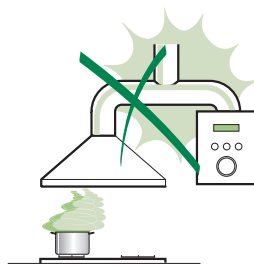
One (1) year limited warranty on all parts and labor with the exception of cosmetic damage to painted finish or plated surfaces.

# RECOMMENDATIONS AND SUGGESTIONS

△ The Instructions for Use apply to several versions of this appliance. Accordingly, you may find descriptions of individual features that do not apply to your specific appliance.

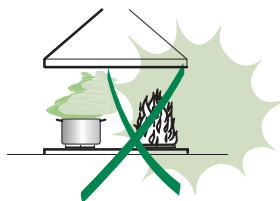
## INSTALLATION

- The manufacturer will not be held liable for any damages resulting from incorrect or improper installation.
- Check that the main voltage corresponds to that indicated on the rating plate fixed to the inside of the hood.
- The electrical supply must be properly and sufficiently grounded.
- Connect the extractor to the exhaust flue through a pipe of minimum diameter 6". The route of the flue must be as short as possible.
- Do not connect the extractor hood to exhaust ducts carrying combustion fumes (boilers, fireplaces, etc.).
- If the extractor is used in conjunction with non-electrical appliances (e.g. gas burning appliances), a sufficient degree of aeration must be guaranteed in the room in order to prevent the backflow of exhaust gas. The kitchen must have an opening communicating directly with the open air in order to guarantee the entry of clean air.



## USE

- The range hood has been designed exclusively for domestic use to eliminate kitchen odors.
- Never use the hood for purposes other than for which it has been designed.
- Never leave high naked flames under the hood when it is in operation.
- Adjust the flame intensity to direct it onto the bottom of the pan only, making sure that it does not engulf the sides.
- Deep fat fryers must be continuously monitored during use: overheated oil can burst into flames.
- The hood should not be used by children or persons not instructed in its correct use.

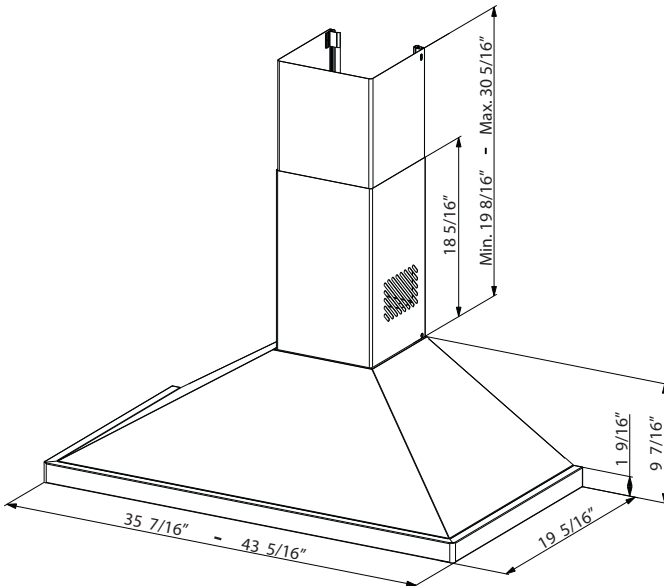


## CARE

- Switch off or unplug the appliance from the main supply before carrying out any maintenance work.
- Clean and/or replace the filters after the specified time period.
- Clean the hood using a damp cloth and a neutral liquid detergent..

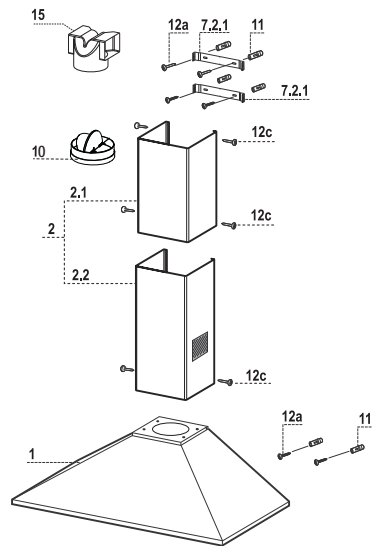
# DIMENSIONS and MAIN PARTS

## Dimensions



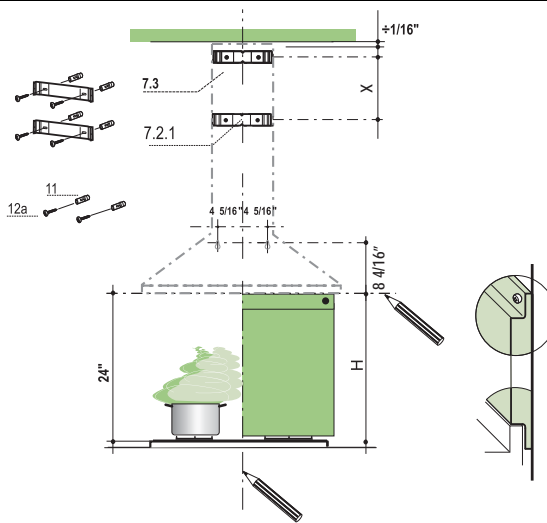
### Components

Ref.	Qty	Product Components
1	1	Hood Body, complete with: Controls, Light, Blower, Filters
2	1	Telescopic Chimney comprising:
2.1	1	Upper Section
2.2	1	Lower Section
10	1	Damper
15	1	Air Outlet Connection
Ref.	Qty	Installation Components
7.2.1	2	Upper Chimney Section Fixing Brackets
11	6	Wall Plugs (if supplied)
12a	6	Screws 3/16" x 1 3/4"
12c	6	Screws 1/8" x 3/8"
Qty	Documentation	
1	Instruction Manual	



# INSTALLATION

## Wall drilling and bracket fixing



### Wall marking:

- Draw a vertical line on the supporting wall up to the ceiling, or as high as practical, at the center of the area in which the hood will be installed.
- Draw a horizontal line at 24" above the cooktop for installation without the back panel, or at height H (height of the visible part of the panel) for installation with the back panel.
- Place upper bracket **7.2.1** on the wall as shown about 1/16" from the ceiling or upper limit, aligning the center (notch) with the vertical reference line.
- Mark the wall at the centers of the holes in the bracket.
- Place lower bracket **7.2.1** on the wall as shown at X" below the first bracket (X = height of the upper chimney section supplied), aligning the center (notch) with the vertical line.
- Mark the wall at the centers of the holes in the bracket.
- Mark a reference point on the horizontal reference line as indicated, 4 5/16" from the vertical reference line and 8 4/16" above the horizontal reference line.
- Repeat this operation on the other side.
- Drill  $\phi 5/16"$  holes at all the centre points marked.
- Insert the wall plugs **11** in the holes.
- Fix the brackets using the **12a** screws supplied.
- Insert the two screws **12a** supplied in the hood body fixing holes, leaving a gap of 3/16" between the wall and the head of the screw.

### REAR PANEL (OPTIONAL)

The Rear Panel must be fitted before fixing the hood body and, if it is to be fixed at both top and bottom, must be fitted at the correct height prior to installing the bases. As this operation is rather complex, it should be carried out either by the kitchen installer or a qualified person who knows the final dimensions of the units.

For fixing at the top only, proceed as follows:

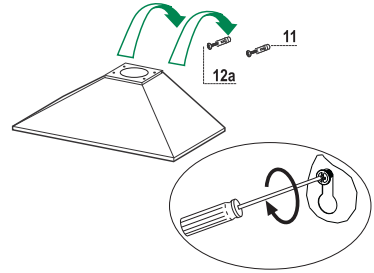
- Rest the back panel on the base, inserting the lower plate between the upper surface and the wall, centering it on the vertical reference line.
- Mark the centers of the two holes in the upper plate.
- Drill  $\phi 5/16"$  holes at all the centre points marked.
- Insert the wall plugs **11** in the holes.
- Fix the brackets using the **12a** screws supplied.
- Fix the back panel (where present) using the **12a** screws supplied.



## Mounting the hood body

- Hook the hood body onto the screws **12a**.
- Fully tighten the support screws **12a**.

**Note:** The Hood body should be secured to wall studs. If necessary, install a wood support behind the dry wall, flush mounted between 2 studs. This will provide the necessary structure and support for mounting.

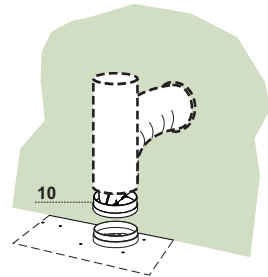


## Connections

### DUCTED VERSION AIR EXHAUST SYSTEM

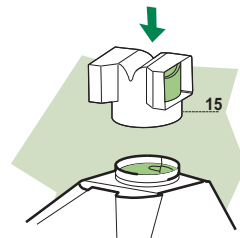
When installing the ducted version, connect the hood to the chimney using a rigid 6" duct.

- Install the damper **10**  $\varnothing$  6".
- Fix the duct in position using sufficient pipe clamps (not supplied).



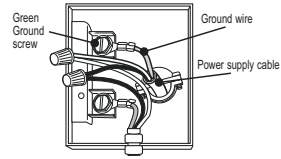
### DUCTLESS VERSION AIR OUTLET

- Push fit the air outlet fitting **15** onto the air outlet of the hood body.
- Ensure that the activated charcoal filters have been inserted.



## ELECTRICAL CONNECTION

- Remove the cover from the Field Wiring Compartment with a Phillips screwdriver.
- Feed the Power Supply Cable through the electrical knockout. Connect the Power Supply Cable to the rangehood cable. Attach the Power Supply Cable grounding lead to the green screw provided. Attach the White lead of the power supply to the White lead of the rangehood with a twist-on type wire connector. Attach the Black lead of the power supply to the Black lead of the rangehood with a twist-on type wire connector.
- Replace the cover.



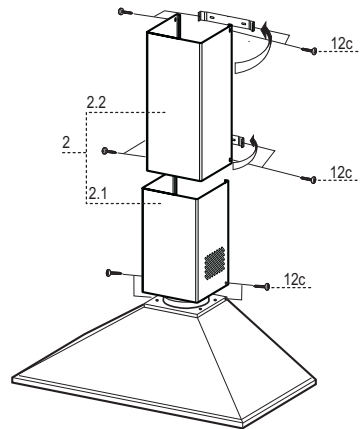
## Chimney assembly

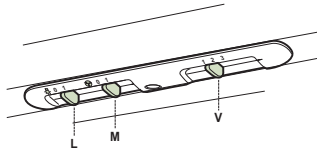
### Upper exhaust Chimney

- Slightly widen the two sides of the upper chimney and hook them behind the brackets **7.2.1**, making sure that they are well seated.
- Secure the sides to the brackets using the 4 screws **12c** supplied.

### Lower exhaust Chimney

- Slightly widen the two sides of the chimney and hook them between the upper chimney and the wall, making sure that they are well seated.
- Fix the lower part laterally to the hood body using the 2 screws **12c** supplied.





## Control Board

---

<b>L</b>	Light	Switches the lighting system on and off
<b>M</b>	Motor	Switches the extractor motor on and off
<b>V</b>	Speed	Sets the operating speed of the extractor: <ol style="list-style-type: none"><li>1. Low speed, used for a continuous and silent air change in the presence of light cooking vapor.</li><li>2. Medium speed, suitable for most operating conditions given the optimum treated air flow/noise level ratio.</li><li>3. Maximum speed, used for eliminating the highest cooking vapour emission, including long periods.</li></ol>

---

# CARE

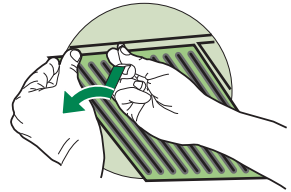
---

## Metal grease filters

---

### CLEANING METAL SELF- SUPPORTING GREASE FILTERS

- The filters must be cleaned every 2 months of operation, or more frequently for particularly heavy usage, and can be washed in a dishwasher.
- Remove the filters one at a time by supporting them with one hand and turning the safety knobs (pull and turn).
- Wash the filters, taking care not to bend them. Allow them to dry before refitting (a possible modification of the filter surface doesn't influence its efficiency).
- Refit them and fix them using the safety knobs provided (pull and turn).



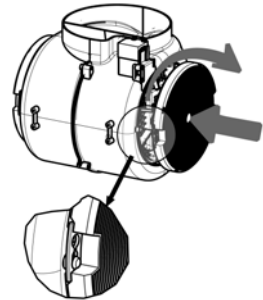
## Activated charcoal filter (Ductless version)

---

These filters are not washable and cannot be regenerated, and must be replaced approximately every 4 months of operation, or more frequently with heavy usage.

### REPLACING THE ACTIVATED CHARCOAL FILTER

- Remove the metal grease filters.
- Remove the saturated activated carbon filter by releasing the fixing hooks.
- Fit the new filter by hooking it into its seating.
- Refit the metal grease filters.



## Lighting

---

### LIGHT REPLACEMENT

#### 20 W halogen light.

- Remove the 2 screws fixing the Lighting support, and pull it out of from the Hood.
- Extract the lamp from the Support.
- Replace with another of the same type, making sure that the two pins are properly inserted in the lamp holder socket holes.
- Replace the Support, fixing it in place with the two screws removed as above.



# TABLE DES MATIÈRES

---

AVERTISSEMENT ET CONDITIONS N ÉCESSAIRES .....	14
CONSEILS ET SUGGESTIONS.....	17
DIMENSIONS et PRINCIPALES PIÈCES.....	18
INSTALLATION.....	19
UTILISATION .....	22
SOIN ET ENTRETIEN .....	23

## LIRE ET CONSERVER CES INSTRUCTIONS

L'installateur doit laisser ces instructions au propriétaire.

Le propriétaire doit conserver ces instructions en vue d'une utilisation subséquente et pour le bénéfice de l'inspecteur en électricité.

### LISEZ BIEN CETTE FICHE AVANT D'UTILISER LA HOTTE

**AVERTISSEMENT – POUR MINIMISER LE RISQUE D'UN FEU DE GRAISSE SUR LA CUISINIÈRE** : Ne jamais laisser un élément de la surface fonctionner sans surveillance à la puissance de chauffage maximale; un renversement/débordement de matière grasseuse pourrait provoquer un incendie ou causer de la fumée. Utiliser toujours une puissance de chauffage moyenne ou basse pour faire chauffer de l'huile. Veiller à toujours faire fonctionner le ventilateur de la hotte lors d'une cuisson avec une puissance de chauffage élevée ou lors de la cuisson d'un mets à flamber (i.e. Crêpes Suzette, Cherries Jubilee, Peppercorn Beef Flambé). Nettoyer fréquemment les ventilateurs d'extraction. Veiller à ne pas laisser de la graisse s'accumuler sur les surfaces du ventilateur ou des filtres. Utiliser toujours un ustensile de taille appropriée.

**AVERTISSEMENT – POUR RÉDUIRE LE RISQUE DE DOMMAGES CORPORELS APRÈS LE DÉCLENCHEMENT D'UN FEU DE GRAISSE SUR LA CUISINIÈRE, APPLIQUER LES RECOMMANDATIONS SUIVANTES** : Blessures en cas de feu suivre les recommandations suivantes : ÉTOUFFEZ LE FEU AVEC UN COUVERCLE MÉTALLIQUE ET FERMEZ LE BRÛLEUR. FAITES ATTENTION DE NE PAS VOUS BRÛLER. SI LE FEU NE S'ÉTEINT PAS IMMÉDIATEMENT, quittez les lieux et appelez les pompiers. ne touchez jamais une casserole en flammes – VOUS POURRIEZ SUBIR DES BLESSURES. N'UTILISEZ JAMAIS DE L'EAU OU UN TORCHON MOUILLÉ POUR ÉTEINDRE LE FEU – CE QUI POURRAIT CAUSER UNE EXPLOSION DE VAPEUR. vapeur brûlante. Utiliser un extincteur SEULEMENT si : 1. Il s'agit d'un extincteur de classe ABC, dont on connaît le fonctionnement. 2. Il s'agit d'un petit feu encore limité à l'endroit où il s'est déclaré. 3. Les pompiers ont été contactés. 4. Il est possible de garder le dos orienté vers une sortie pendant l'opération de lutte contre le feu.

N'utilisez un extincteur que si : 1. Vous avez sous la main un modèle ABC et vous comment l'utiliser correctement. 2. Le feu est faible et peu répandu. 3. Les pompiers sont déjà prévenus. 4. Vous conservez une sortie derrière vous.

### TOUTE OUVERTURE DANS LE MUR OU LE PLANCHER À PROXIMITÉ DE LA HOTTE DOIT ÊTRE SCÉLÉ

Gardez 24 po. de hauteur entre le bas de la hotte et la surface de cuisson. Consultez la fiche technique avant de découper les armoires. **INSTALLATION DANS UNE MAISON MOBILE.** L'installation de cette hotte doit être conforme aux règlements de Manufactured Home Construction and Safety Standards, Titre 24 CFR, Section 3280 (anciennement Federal Standard for Mobile Home Construction and Safety, Titre 24, HUD, Section 280). Le branchement électrique s'effectue avec un raccordement à 4 fils. Consultez la Fiche Technique électrique.

## EXIGENCES DE VENTILATION (ÉVACUATION)

**ATTENTION** – Afin de réduire le risque d'incendie et pour bien évacuer l'air, assurez-vous de faire échapper l'air des conduits à l'extérieur – Ne jamais évacuer l'air vers des espaces comportant des murs ou des plafonds ou dans le grenier, la galerie ou le garage.

Déterminer la méthode d'évacuation de l'air la plus appropriée pour l'application. La sortie d'évacuation : soit par le mur, soit par le toit. Utilisez une longueur de tuyauterie minimale, incluant le moins de coudes possible pour une plus grande efficacité. Le calibre de la tuyauterie doit être uniforme. N'installez jamais 2 coudes ensemble. Scellez bien tous les joints avec un ruban adhésif métallique à l'intérieur et scellez bien le clapet extérieur en utilisant du calfeutrage.

**L'utilisation d'un tuyau d'évacuation flexible n'est pas recommandée. Les tuyaux flexibles créent une contre-pression et de la turbulence, ce qui réduit la puissance d'évacuation.**

Veillez à ce que l'espace pour le tuyau soit amplement suffisant, ainsi vous n'aurez pas à découper les supports de mur intérieur. On ne doit couper une solive ou un poteau de colombage que lorsque cela est absolument nécessaire. S'il est nécessaire de couper une solive ou un poteau du colombage, on doit construire une structure de support appropriée.

**AVERTISSEMENT** – Afin de réduire le risque d'incendie, utilisez seulement des conduits en métal.

## AVERTISSEMENT

- Le système d'évacuation DOIT se terminer à l'extérieur.
- N'ÉVACUEZ PAS le conduit dans un grenier ou dans tout autre espace fermé.
- N'UTILISEZ PAS un clapet de sècheuse à 4 pouces.
- ON DÉCONSEILLE l'emploi de conduit d'évacuation flexible.
- N'ENCOMBREZ PAS la circulation d'air.
- Le fait de ne pas respecter ces avertissements pourrait occasionner un incendie.

## FICHE TECHNIQUE ÉLECTRIQUE

Le raccordement électrique doit se faire avec un circuit séparé de 15 ampères fusibles à 120 V, 60 Hz, courant alternatif. Nous recommandons un coupe-circuit. La taille du fusible doit se conformer aux codes municipaux suivant la spécification électrique sur la plaque intérieure. CET APPAREIL NE DOIT ÊTRE CONNECTÉ QU'EN UTILISANT DES FILS EN CUIVRE. Le diamètre du fil devra aussi se conformer aux règlements du code national électrique, ANSI/NFPA 70, ainsi qu'aux règlements locaux et les spécifications de cet appareil. On peut obtenir ces informations auprès de :

National Fire Protection Association  
Batterymarch Park  
Quincy, Massachusetts 02169

Raccordez cet appareil directement au coupe-circuit( ou au disjoncteur) par l'intermédiaire de câble à conducteurs de cuivre, à blindage métallique flexible ou à gaine non-métallique. Un serre-câble de ½ po. (12,7 mm) (homologation UL ou CSA) doit être installé à chaque extrémité du câble d'alimentation (sur la hotte et sur le boîtier de distribution).

Faites un trou de 1 ¼ po. dans le mur. S'il s'agit d'un mur en bois, sablez bien le trou. Tandis qu'un trou dans le métal demande un oeillet (passe-fil).

**AVERTISSEMENT – POUR RÉDUIRE LE RISQUE D'INCENDIE OU DE CHOC ÉLECTRIQUE**, ne pas utiliser ce ventilateur en conjonction avec un dispositif de réglage de vitesse à semi-conducteurs.

**AVERTISSEMENT – POUR MINIMISER LES RISQUES D'INCENDIE, CHOC ÉLECTRIQUES OU BLESSURES, OBSERVER CETTE RÈGLE** : suivez strictement les recommandations du fabricant ; en cas de nécessité veuillez le contacter.

Avant d'entreprendre un travail d'entretien ou de nettoyage, interrompre l'alimentation de la hotte au niveau du tableau de disjoncteur, et verrouiller le tableau de disjoncteur pour empêcher tout rétablissement accidentel de l'alimentation du circuit. Lorsqu'il n'est pas possible de verrouiller le tableau de disjoncteur une étiquette d'avertissement proéminent interdisant le rétablissement de l'alimentation.

**IMPORTANT** : Pour une ventilation de type général seulement. Ne pas utiliser cet appareil pour l'évacuation de matières ou vapeurs explosives.

**AVERTISSEMENT – POUR MINIMISER LES RISQUES D'INCENDIE, CHOC ÉLECTRIQUES OU BLESSURES, OBSERVER CETTE RÈGLE :** l'installation et le raccordement électrique ne doivent être effectués que par un technicien(s) qualifié, selon tous les codes municipaux.

Afin d'obtenir un rendement maximal en ce qui a trait à la combustion ainsi qu'à l'évacuation des gaz par la conduite de cheminée et pour qu'il n'y ait pas de reflux des gaz de combustion, une bonne aération est nécessaire pour tous les appareils à combustion. Suivez les conseils et mesures de sécurité du fournisseur tels que ceux publiés par la National Fire Protection Association (NFPA) et l'American Society for Heating, Refrigeration and Air Condition Engineers (ASHRAE) ainsi que les codes municipaux.

Lors d'opération de découpage et de perçage dans un mur ou un plafond, veiller à ne pas endommager les câblages électriques ou canalisations qui peuvent s'y trouver.

Un conduit de ventilation doit toujours se terminer à l'extérieur.

### **AVERTISSEMENT**

- Une prise à la terre est nécessaire pour cette hotte.
- N'UTILISEZ PAS un tuyau à l'eau froide pour la mise à la terre s'il est connecté à du plastique, un joint non métallique ou autre matériel.
- N'EFFECTUEZ PAS la mise à la terre sur la conduite de gaz.
- NE PAS INSTALLER un fusible dans le conducteur neutre ou le conducteur de liaison à la terre.
- Vérifiez avec un électricien qualifié que la hotte est bien mise à la terre.
- Le fait de ne pas respecter ces avertissements pourrait occasionner un incendie.

## **Garantie**

Garantie d'un (1) an limitée sur les pièces et main-d'œuvre, à l'exception des dommages esthétiques finition les surfaces peintes ou plaquées.

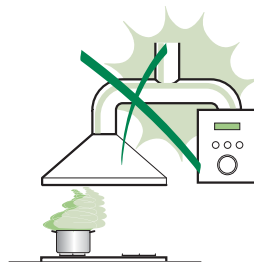


## CONSEILS ET SUGGESTIONS

⚠ Les instructions d'utilisation s'applique à plusieurs versions de ce type d'appareil. En conséquence, il est possible que vous trouviez des descriptions de caractéristiques ne s'appliquant pas à votre appareil.

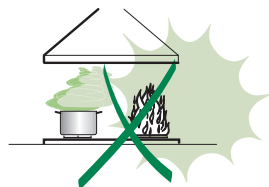
### INSTALLATION

- Le fabricant décline toute responsabilité en cas de dommage dû à une installation inadéquate ou non conforme aux règles de l'art.
- Vérifiez que la tension du secteur correspond à la valeur qui figure sur la plaquette apposée à l'intérieur de la hotte.
- L'alimentation électrique doit être adéquatement et suffisamment mise à la terre.  
Connectez la hotte à la sortie de l'air aspiré à l'aide d'une tuyauterie d'un diamètre ou supérieur à 6 po. Le parcours de la tuyauterie doit être le plus court possible.
- Évitez de connecter la hotte à des conduites d'évacuation de fumées issues d'une combustion tel que une chaudière, une cheminée, etc.
- Si vous utilisez des appareils qui ne fonctionnent pas à l'électricité dans la pièce ou est installée la hotte (par exemple : des appareils fonctionnant au gaz), vous devez prévoir une aération suffisante de l'espace. Si la cuisine en est dépourvue, pratiquez une ouverture qui communique avec l'extérieur pour garantir l'infiltration de l'air pur.



### UTILISATION

- La hotte a été conçue exclusivement pour un usage domestique, dans le but d'éliminer les odeurs de la cuisine.
- Ne jamais utiliser la hotte de manière abusive.
- Ne pas laisser les flammes libres à forte intensité lorsque la hotte est en service.
- Toujours régler les flammes de manière à éviter toute sortie latérale de ces dernières par rapport au fond des casseroles.
- Contrôler les friteuses lors de l'utilisation, car l'huile surchauffée pourrait s'enflammer.
- La hotte ne doit pas être utilisée par des enfants ou des personnes ne pouvant pas assurer une utilisation adéquate.

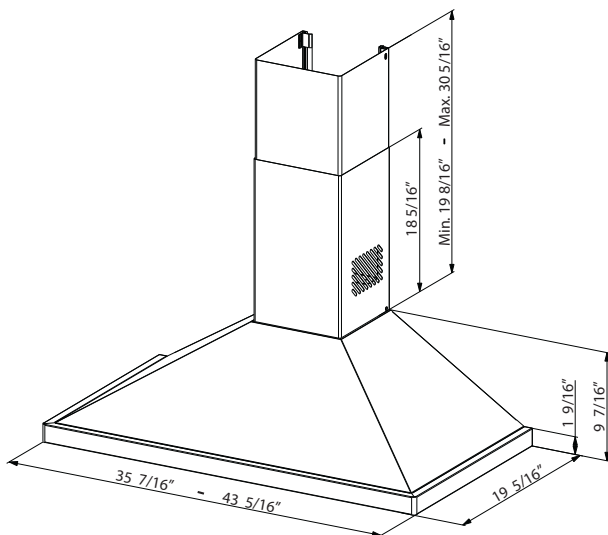


### ENTRETIEN

- Avant de procéder à toute opération d'entretien, retirer la hotte en la débranchant ou en la mettant hors-circuit.
- Effectuer un entretien scrupuleux et en temps voulu des filtres.
- Pour le nettoyage des surfaces de la hotte, il suffit d'utiliser un linge humide et un détergent liquide neutre.

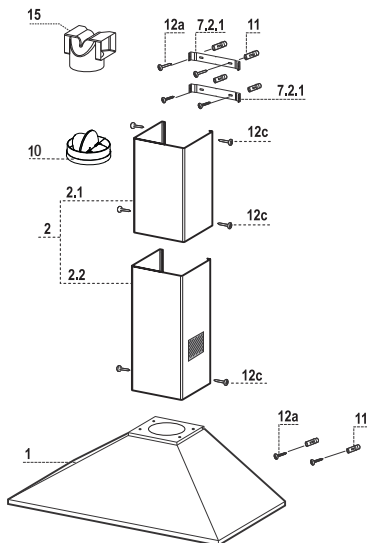
# DIMENSIONS et PRINCIPALES PIÈCES

## Dimensions



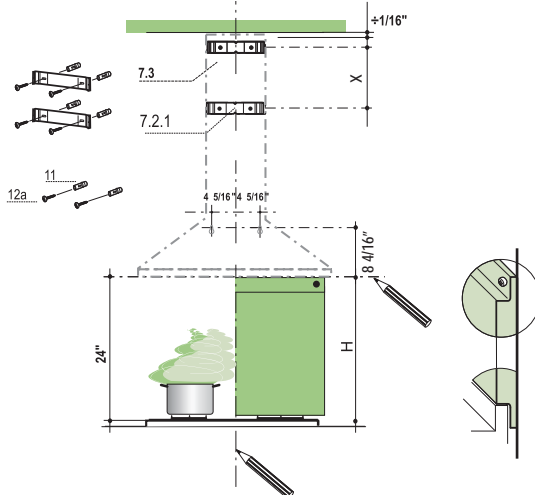
## Composantes

Ref.	Qté	Pièces du produit
1	1	Corps de la hotte équipé de : commandes, lumière, groupe ventilateur, filtres
2	1	Cheminée télescopique formée de :
2.1	1	Cheminée supérieure
2.2	1	Cheminée inférieure
10	1	Clapet anti-reflux
15	1	Raccord de sortie d'air
Ref.	Qté	Pièces servant à l'installation
7.2.1	2	Brides de montage de la cheminée supérieure
11	6	Chevilles (si fournies)
12a	6	Vis 3/16" x 1" 3/4
12c	6	Vis 1/8" x 3/8"
Qté	Documentation	
1	Manuel d'instructions	



# INSTALLATION

## Perçage paroi et fixation supports



### Marquage paroi :

- Tracer une ligne verticale sur le mur de support jusqu'au plafond, ou aussi haut que nécessaire, au centre de la surface sur laquelle la hotte sera installée.
- Tracer une ligne horizontale à 24'' au-dessus de la table de cuisson pour une installation sans panneau postérieur, ou à la hauteur H (hauteur de la partie visible du panneau) pour une installation avec panneau postérieur.
- Placer le support **7.2.1** sur le mur comme indiqué, à environ 1/16'' du plafond ou de la limite supérieure, en alignant le centre (encoche) sur la ligne de repère verticale.
- Marquer le mur au niveau des centres des trous sur le support.
- Placer le support inférieur **7.2.1** sur le mur comme indiqué à 'X'' sous le premier support (X = hauteur conduit supérieur fourni), en alignant son centre (encoche) sur la ligne verticale.
- Marquer le mur au niveau des centres des trous sur le support.
- Marquer un point de repère sur la ligne de repère horizontale de la manière indiquée, à 4 5/16'' de la ligne de repère verticale et à 8 4/16'' au-dessus de la ligne de repère horizontale.
- Répéter cette opération du côté opposé.
- Percer tous les points centraux marqués, avec une mèche de  $\varnothing 5/16'$ .
- Insérer les chevilles murales **11** dans les trous.
- Fixer les supports à l'aide des vis **12a** fournies.
- Insérer les deux vis **12a** fournies dans les trous prévus pour la fixation du corps de hotte, en laissant un espace de 3/16'' entre la paroi et la tête de la vis.

### PANNEAU POSTÉRIEUR (OPTION)

Mettre en place le panneau postérieur avant de fixer le corps de hotte et, s'il doit être fixé aussi bien en haut qu'en bas, il faudra le placer à la bonne hauteur avant d'installer les bases. Cette opération étant plutôt complexe, elle doit être exécutée par le monteur de la cuisine ou par une personne qualifiée qui connaît les dimensions définitives des unités.

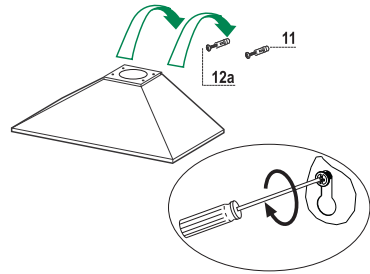
Pour fixer seulement le haut, suivre la marche ci-dessous :

- poser le panneau postérieur sur la base, en insérant le plateau inférieur entre la surface supérieure et le mur et en le centrant sur la ligne de repère verticale.
- Marquer les centres des deux trous sur le plateau supérieur.
- Percer tous les points centraux marqués avec une mèche de  $\varnothing 5/16'$ .
- Insérer les chevilles murales **11** dans les trous.
- Fixer les supports à l'aide des vis **12a** fournies.
- Fixer le panneau postérieur (si présent) avec les vis **12a** fournies.

## Montage du corps de la hotte

- Accrocher le corps hotte aux vis **12a** prévues à cet effet.
- Serrer définitivement les vis **12a** de support.

**Note :** Le corps de hotte doit être fixé aux chevilles murales. S'il y a lieu, installer un support en bois derrière le mur sec, monté entre les deux goujons. Cela assurera la structure nécessaire et le support pour le montage.

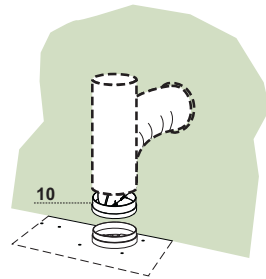


## Branchements

### SORTIE D'AIR VERSION ASPIRANTE

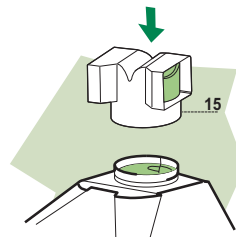
En cas d'installation en version aspirante, brancher la hotte à la tuyauterie de sortie via un tube rigide de 6 po.

- Installer le clapet d'air **10**  $\phi$  6 po.
- Fixer le tube par des colliers appropriés. Le matériel nécessaire n'est pas fourni.



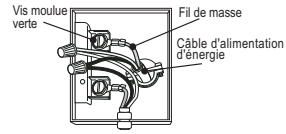
### SORTIE D'AIR, VERSION NON CARÉNÉES

- Appliquer par pression le raccord sortie air **15** sur la sortie du corps de la hotte.
- S'assurer de la présence des filtres anti-odeur au charbon actif.



## BRANCHEMENT ÉLECTRIQUE

- Retirer le couvercle du compartiment de filage à l'aide d'un tournevis Phillips.
- Passer le câble d'alimentation dans la pastille enfonçable. Brancher le câble d'alimentation sur la hotte. Attacher le conducteur de mise à la terre du câble d'alimentation à la vis verte fournie. Attacher le fil blanc du câble d'alimentation au fil blanc de la hotte avec une cosse (connecteur de fils). Attacher le fil noir du câble d'alimentation au fil noir de la hotte avec une cosse (connecteur de fils).
- Replacer le couvercle.



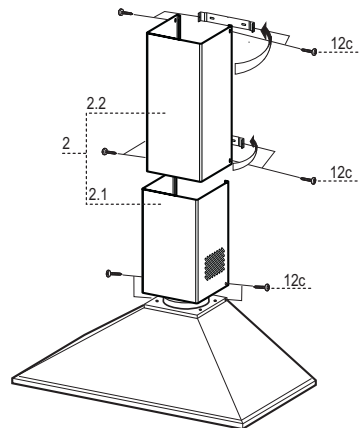
## Montage de la cheminée

### Cheminée supérieure

- Elargir légèrement les deux bords latéraux, et les accrocher derrière les brides **7.2.1**; refermer jusqu'à la butée.
- Fixer latéralement aux brides à l'aide des 4 vis **12c** fournies.

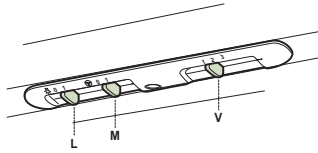
### Cheminée inférieure

- Elargir légèrement les deux bords latéraux de la Cheminée et les accrocher entre la Cheminée supérieure et la paroi; refermer jusqu'à la butée.
- Fixer latéralement la partie inférieure au corps hotte, à l'aide des deux vis **2** fournies.



# UTILISATION

---



## Tableaux des commandes

<b>L</b>	Lumières	Allume et éteint l'éclairage.
<b>M</b>	Moteur	Allume et éteint le moteur aspiration
<b>V</b>	Vitesses	Détermine les vitesses d'exploitation ainsi subdivisées: <ol style="list-style-type: none"><li>1.Vitesse minimale, pour un recharge d'air permanent particulièrement silencieux en cas de faibles vapeurs de cuisson.</li><li>2.Vitesse moyenne pour la plupart des conditions d'utilisation, étant donné le rapport optimal entre débit d'air traité et niveau sonore.</li><li>3.Vitesse maximum, pour faire face aux émissions maximum de vapeur de cuisson, même pendant des temps prolongés .</li></ol>

# SOIN ET ENTRETIEN

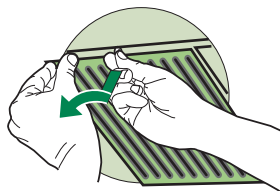
---

## Filtres anti-graisse

---

### NETTOYAGE FILTRES ANTI-GRAISSE METALLIQUES AUTOPORTEURS

- Lavables au lave-vaisselle, ils doivent être lavés environ tous les 2 mois d'emploi ou plus fréquemment en cas d'emploi particulièrement intense.
- Décrocher les filtres l'un après l'autre, en les soutenant d'une main et en intervenant sur les pommeaux de sécurité spécialement prévus (tirer et tourner).
- Laver les filtres en évitant de les plier et les laisser sécher avant de les remonter.
- Remonter les filtres en les fixant à l'aide des pommeaux de sécurité spécialement prévus (tirer et tourner).



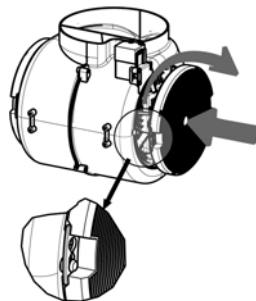
## Filter anti-odeur (Version filtrante)

---

Ni lavable, ni régénérable, le remplacer au moins tous les 4 mois d'emploi ou plus fréquemment en cas d'emploi particulièrement intense.

### REPLACEMENT FILTRE AU CHARBON ACTIF

- Retirer les filtres anti-graisse métalliques.
- Retirer le filtre anti-odeur au charbon actif colmaté, en agissant sur les crochets prévus à cet effet.
- Monter le nouveau filtre anti-odeur au charbon actif.
- Remonter les filtres anti-graisse métalliques.



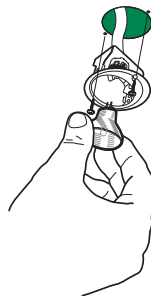
## Éclairage

---

### REPLACEMENT DES AMPOULES

#### Lampe halogène de 20 W.

- Retirer les 2 vis qui fixent le support éclairage et retirer ce dernier de la hotte.
- Extraire l'ampoule du support.
- Remplacer par une nouvelle ampoule possédant les mêmes caractéristiques, en veillant à ce que les deux fiches soient correctement insérées dans le logement de la douille.
- Remonter le support en le fixant à l'aide des deux vis précédemment retirées.



# ÍNDICE

---

ADVERTENCIAS Y LOS REQUISITOS .....	25
CONSEJOS Y SUGERENCIAS.....	28
DIMENSIONES y PIEZAS PRINCIPALES .....	29
INSTALACIÓN .....	30
USO.....	33
MANTENIMIENTO .....	34



## LEA Y GUARDE ESTAS INSTRUCCIONES

El instalador debe dejar estas instrucciones con el propietario.

El propietario debe conservar estas instrucciones para consultas futuras y para uso de inspectores eléctricos locales.

### LEA ESTAS INSTRUCCIONES ANTES DE EMPEZAR INSTALACIÓN DE ESTA CAMPANA

**ATENCIÓN: - PARA REDUCIR EL RIESGO DE INCENDIO DE GRASA:** Nunca deje las unidades de superficie desatendidas en ajustes altos. Los reboses pueden provocar humo y derrames grasosos que se pueden incendiar. Caliente el aceite lentamente a temperatura baja o media. Siempre ENCIENDA la campana cuando cocine a fuego alto o cuando cocine alimentos fácilmente inflamables (por ejemplo Crepes Suzette, Cerezas Jubilé, Ternera flambeada con granos de pimienta). Limpie con frecuencia los ventiladores. La grasa no debe acumularse en el ventilador o en el filtro. Use cacerolas del tamaño adecuado. Siempre utilice un utensilio adecuado al tamaño del elemento de superficie.

**ATENCIÓN: - PARA REDUCIR EL RIESGO DE LESIONES A PERSONAS EN CASO DE INCENDIO DE GRASA, TENGA CUENTA LO SIGUIENTE: APAGUE LAS LLAMAS** con una tapa ajustada, plancha para galletitas o una bandeja de metal, y luego apague el quemador. **TENGA CUIDADO PARA EVITAR QUEMADURAS.** Si las llamas no se apagan de inmediato **SALGA Y LLAME A LOS BOMBEROS. NUNCA LEVANTE UNA OLLA EN LLAMAS** - Usted puede quemarse. **NO USE AGUA**, incluyendo toallas de cocina mojadas - pudiera ocurrir una explosión violenta de vapor. Use un extintor **SOLAMENTE** si: 1. Usted sabe que tiene un extintor clase ABC, y ya sabe cómo usarlo. 2. El incendio es pequeño y está contenido en el área donde comenzó. 3. El departamento de bomberos ha sido avisado. 4. Usted puede combatir el incendio con su espalda hacia una salida.

TODAS LAS ABERTURAS DE LA PARED Y EL PISO DONDE ESTÁ INSTALADA LA CAMPANA SE DEBEN SELLAR.

Esta campana requiere por lo menos 24" de espacio libre entre la parte inferior de la campana y la superficie de cocción o encimera. Consulte las instrucciones de instalación de la placa o cocina de gas dadas por el fabricante antes de hacer los cortes. **INSTALACIÓN EN CASAS MÓVILES.** La instalación de esta campana debe ajustarse a la normas de construcción y seguridad de casas fabricadas, Título 24 CFR, Parte 3280 (anteriormente Norma Federal para la construcción y seguridad de casas móviles, Título 24, HUD Parte 280). Se debe utilizar una fuente de alimentación de cuatro alambre y el cableado del aparato debe ser revisado. Vea los requisitos eléctricos.

## REQUISITOS DE VENTILACIÓN

**PRECAUCIÓN** - Para reducir el riesgo de incendio y para descargar adecuadamente el aire, asegúrese de sacar el aire - No expulse los humos en espacios dentro de paredes o techos, áticos, espacios angostos o garajes.

Determine qué método de ventilación es mejor para su aplicación. Los conductos se pueden extender a través de la pared o el techo. La longitud de los conductos y el número de codos deben mantenerse a un mínimo para proporcionar un rendimiento eficiente. El tamaño de los conductos debe ser uniforme. No instale dos codos juntos. Use cinta adhesiva para sellar todas las juntas en el sistema de conductos. Use masilla para sellar la abertura de la pared o piso alrededor de la tapa.

**No se recomiendan conductos flexibles. Los conductos flexibles crea una contrapresión y turbulencias de aire que reducen en gran medida el rendimiento.**

Asegúrese de que haya un espacio adecuado dentro de la pared o el piso para el conducto de escape antes de hacer cortes. No corte una viga o un poste a menos que sea absolutamente necesario. Si una viga o un poste debe ser cortado, a continuación, una estructura de soporte debe ser construida.

**ADVERTENCIA - Para reducir el riesgo de incendio, use solamente conductos de metal.**

### **ADVERTENCIA**

- El sistema de ventilación DEBE terminar fuera del hogar.
- NO termine el conducto en un espacio ático o en otro espacio cerrado.
- NO use tapones de pared de 4" tipo lavadero.
- NO se recomiendan conductos flexibles.
- NO obstruya el flujo del aire de combustión y ventilación.
- El incumplimiento de los requisitos de ventilación puede provocar un incendio.

### **REQUISITOS ELÉCTRICOS**

Se requiere una fuente de alimentación de 120 voltios, 60 Hz sólo CA conectada a un circuito separado con fusible de 15 amperes. Se recomienda un fusible de tiempo retardado o un cortacircuitos. El fusible debe ser de un tamaño indicado por los códigos locales de acuerdo con la clasificación eléctrica de esta unidad, tal como se especifica en la placa de características/especificaciones ubicada en el interior de la unidad cerca del compartimiento de cableado de campo. ESTE APARATO DEBE ESTAR CONECTADO CON CABLE DE COBRE SOLAMENTE. Los tamaños de los cables deben cumplir con los requisitos del Código Eléctrico Nacional, ANSI/NFPA 70 - última edición, y todos los códigos y ordenanzas locales. El tamaño de los cables y las conexiones deben ajustarse a la clasificación del aparato. Las copias de la norma enumerada anteriormente se puede obtener en la:

National Fire Protection Association  
Batterymarch Park  
Quincy, Massachusetts 02169

Este aparato debe ser conectado directamente a la caja de fusibles (o disyuntor) a través de cable de cobre flexible, blindado o con revestimiento no metálico. Deje cierta holgura en el cable para que el aparato se pueda mover fácilmente, si alguna vez es necesario. Un conector de conducto de 1/2" tipo UL se debe colocar en cada extremo del cable de alimentación (en el aparato y en la caja de conexiones).

Al realizar la conexión eléctrica, realice un agujero de 1 1/4 " en la pared. Un corte de orificio a través de la madera se debe lijar hasta que quede liso. Un agujero a través del metal debe tener un ojal.

**ADVERTENCIA - PARA REDUCIR EL RIESGO DE DESCARGA ELÉCTRICA O INCENDIO**, no use este ventilador con ningún dispositivo de control de velocidad de estado.

**ADVERTENCIA - PARA REDUCIR EL RIESGO DE INCENDIOS, DESCARGAS ELÉCTRICAS O LESIONES PERSONALES, OBSERVE LO SIGUIENTE:** Utilice esta unidad sólo de la manera indicada por el fabricante. Si usted tiene alguna pregunta, póngase en contacto con el fabricante.

Antes de reparar o limpiar la unidad, apague el interruptor en el panel de servicio y bloquee los medios de desconexión para evitar que se enciendan accidentalmente. Cuando los medios de desconexión no se pueden bloquear, coloque un dispositivo de advertencia prominente, tal como una etiqueta, en el panel de servicio.

**PRECAUCIÓN:** Para uso exclusivo de ventilación general. No utilice para descargar materiales y vapores peligrosos o explosivos.

**ADVERTENCIA - PARA REDUCIR EL RIESGO DE INCENDIOS, DESCARGAS ELÉCTRICAS O LESIONES PERSONALES, OBSERVE LO SIGUIENTE:** La instalación y el cableado eléctrico deben ser realizados por personal cualificado de acuerdo con todos los códigos y normas, incluidos las construcciones cortafuegos.

Se necesita suficiente aire para la combustión y descarga adecuadas de los gases a través del tubo de humos (chimenea) del equipo quemador de combustible para evitar la retrogresión. Siga las directrices del fabricante del equipo de calefacción y las normas de seguridad tales como los publicados por la National Fire Protection Association (NFPA), la American Society for Heating, Refrigeration and Air Conditioning Engineers (ASHRAE) y las autoridades de los códigos locales.

Al cortar o perforar la pared o el techo, no dañe el cableado eléctrico ni otros servicios ocultos.

Los ventiladores con conductos siempre deben tener salida al exterior.

### **ADVERTENCIA**

- Esta campana requiere conexión eléctrica de tierra.
- Si la tubería de agua fría está interrumpida por juntas de plástico, de materiales no metálicos u otros materiales, NO la utilice para conexión a tierra.
- NO conecte a tierra a una tubería de gas.
- NO coloque un fusible en el circuito de neutro o de conexión a tierra. Un fusible en el circuito de neutro o de conexión a tierra puede provocar una descarga eléctrica.
- Consulte con un electricista calificado si tiene dudas acerca de si la campana está correctamente conectada a tierra.
- El incumplimiento de los requisitos eléctricos puede provocar un incendio.

## **Garantía**

"Garantía limitada de Un (1) año para todas las piezas y mano de obra con la excepción de los daños estéticos al acabado de las superficies pintadas o chapeadas"

## CONSEJOS Y SUGERENCIAS

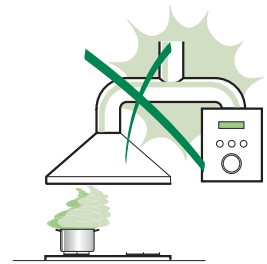
⚠ Las presentes instrucciones de servicio son válidas para diferentes modelos de aparato; por ello puede ser posible que se describan detalles y características de equipamiento que no concuerden integralmente con las de su aparato concreto.

### INSTALACIÓN

- El fabricante no se hace responsable de los daños provocados por una instalación incorrecta o no conforme.
- Compruebe que la tensión de red corresponda a la indicada en la placa situada en el interior de la campana.
- El suministro eléctrico debe ser conectado a tierra adecuadamente y suficientemente.
- Conecte la campana a la salida de escape a través de un tubo de un diámetro mínimo de 6". El recorrido del tubo debe ser lo más corto posible.
- No conecte la campana a tubos de descarga de humos producidos por combustión (calderas, chimeneas, etc.).
- Si la campana se utiliza junto con otros aparatos no eléctricos (por ejemplo aparatos que queman gas), un grado suficiente de aireación debe ser garantizado en la sala con el fin de evitar el reflujo de gases de escape. La cocina debe haber una abertura que comunique con el aire libre a fin de garantizar la entrada de aire limpio.

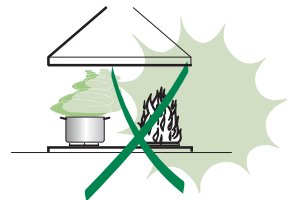
### USO

- La campana ha sido concebida exclusivamente para uso doméstico, para eliminar los olores de cocina.
- Nunca utilice la campana para fines distintos de los que ha sido diseñada.
- Nunca deje llamas libres bajo la campana cuando está en funcionamiento.
- Ajuste la intensidad de la llama para dirigirla sólo hacia el fondo de la cacerola, asegurándose de que no sobresalga lateralmente.
- Las freidoras deben ser objeto de control permanente durante su uso: el aceite muy caliente se puede inflamar.
- La campana no debe ser utilizada por niños o personas que no conozcan su uso correcto.



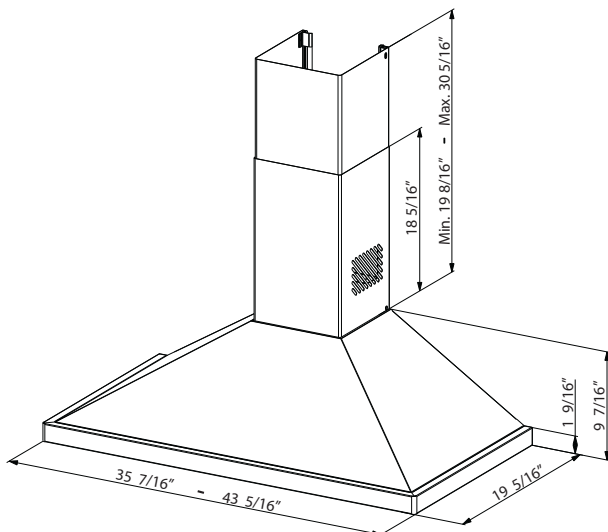
### CUIDADO

- Apague o desconecte el aparato de la red eléctrica antes de realizar cualquier trabajo de mantenimiento.
- Limpie y/o cambie los filtros después del período de tiempo especificado.
- Limpie la campana con un paño húmedo y un detergente líquido neutro.



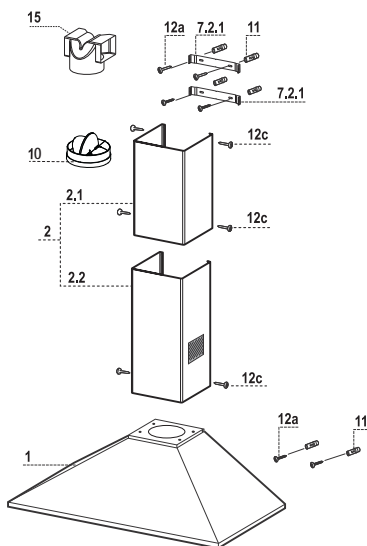
# DIMENSIONES Y PIEZAS PRINCIPALES

## Dimensiones



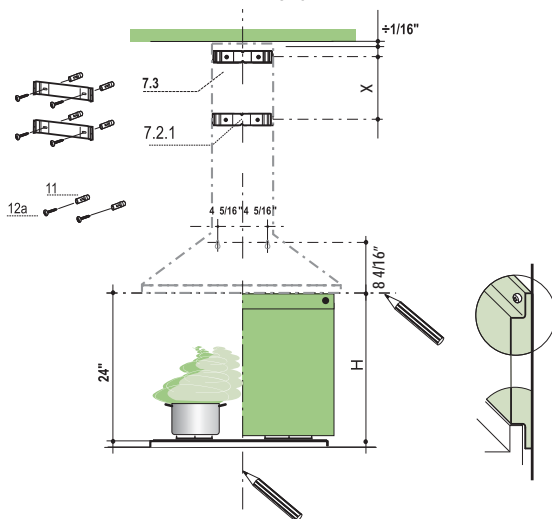
### Componentes

Ref.	Cant.	Componentes del Producto
1	1	Cuerpo campana dotado con: mandos, luz, grupo de ventilación, filtros.
2	1	Chimenea Telescópica formada por:
2.1	1	Chimenea Superior
2.2	1	Chimenea Inferior
10	1	Anillo de aumento diámetro 120-125 mm
15	1	Racor salida aire
Ref.	Cant.	Componentes de Instalación
7.2.1	2	Bridas de fijación chimenea superior
11	6	Tacos
12a	6	Tornillos 3/16" x 1 3/4"
12c	6	Tornillos 1/8" x 3/8"
Cant.	Documentación	
1	Manual de instrucciones	



# INSTALACIÓN

## Perforación de la pared y fijación del soporte



### Marcado de la pared:

- Trace una línea vertical en la pared de soporte hasta el techo, o tan alto como sea posible, en el centro de la zona en la que se instalará la campana.
- Trace una línea horizontal a 24" por encima de la placa para la instalación sin el panel posterior o a una altura H (altura de la parte visible del panel) para la instalación con el panel posterior.
- Coloque la brida superior **7.2.1** en la pared como se muestra aproximadamente a 1/16" del techo o límite superior, alineando su centro (muescas) con la línea vertical de referencia.
- Marque la pared en los centros de los agujeros en la brida.
- Coloque la brida inferior **7.2.1** en la pared, como se muestra a X" debajo de la primera brida (X = altura de la chimenea superior en dotación), alineando su centro (muesca) con la línea vertical.
- Marque la pared en los centros de los agujeros en la brida.
- Marque un punto de referencia en la línea de referencia horizontal como se indica, a 4 5/16" de la línea de referencia vertical y 8 4/16" por encima de la línea de referencia horizontal.
- Repita esta operación en el otro lado.
- Perfore agujeros de  $\varnothing 5/16"$  en todos los puntos centrales marcados.
- Inserte los tacos **11** en los agujeros.
- Fije las bridas con los tornillos **12a** suministrados.
- Inserte los dos tornillos **12a** suministrados en los agujeros de fijación del cuerpo de la campana, dejando un espacio de 3/16" entre la pared y la cabeza del tornillo.

### PANEL TRASERO (OPCIONAL)

El panel trasero debe montarse antes de fijar el cuerpo de la campana y, si se desea fijarlo en la parte superior e inferior, se montará a la altura correcta antes de instalar las bases. Como esta operación es bastante compleja, debe ser llevada a cabo por un instalador de cocina o una persona cualificada que conozca las dimensiones finales de las unidades.

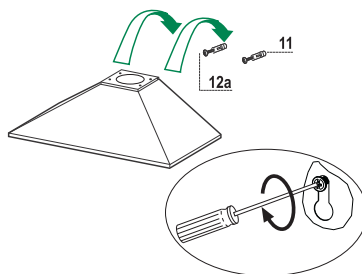
Para la fijación en la parte superior solamente, proceda de la siguiente manera:

- Coloque el panel posterior en la base, inserte la placa inferior entre la superficie superior y la pared, centrándola en la línea de referencia vertical.
- Marque los centros de los dos agujeros en la placa superior.
- Perfore agujeros de  $\varnothing 5/16"$  en todos los puntos centrales marcados.
- Inserte los tacos **11** en los agujeros.
- Fije las bridas con los tornillos **12a** suministrados.
- Fije el panel trasero (si está presente) con los tornillos **12a** suministrados.

## Montaje del cuerpo de la campana

- Enganchar el cuerpo de la campana en los tornillos **12a** predispuestos.
- Apretar definitivamente los tornillos **12a** de soporte.

**Nota:** El cuerpo de la campana debe fijarse a postes de la pared. Si es necesario, instale un soporte de madera detrás de la pared de yeso, empotrado entre 2 postes. Esto proporcionará la estructura y el apoyo necesarios para el montaje.

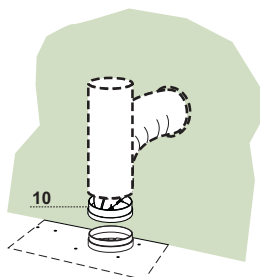


## Conexiones

### SALIDA DEL AIRE VERSIÓN ASPIRANTE

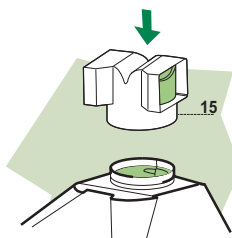
Para la instalación de la versión aspirante conectar la campana al tubo de salida mediante un tubo rígido 6” .

- Meter la arandela con la válvula **10**  $\varnothing$  6” en la salida del cuerpo de la campana.
- Sujetar el tubo con unas fajillas. El material necesario no está incluido en la dotación.



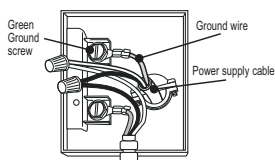
### SALIDA DEL AIRE VERSIÓN FILTRANTE

- Introducir a presión el racor **15** en la salida del aire.
- Comprobar la presencia de los filtros antiolor de carbón activo.



## CONEXIÓN ELÉCTRICA

- Retire la tapa del compartimiento de cableado de campo con un destornillador Phillips.
- Alimente el cable de alimentación a través de la placa prepunzonada. Conecte el cable de alimentación al cable de la campana. Conecte el cable de tierra del cable de alimentación al tornillo verde proporcionado. Conecte el cable blanco de la alimentación al cable blanco de la campana con conector de cables de bloqueo con rotación. Conecte el cable negro de la alimentación al cable blanco de la campana con conector de cables de bloqueo con rotación.
- Vuelva a colocar la tapa.



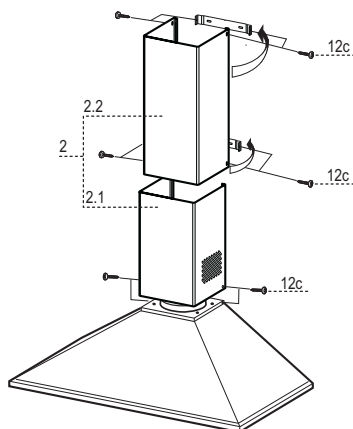
## Montaje de la chimenea

### Chimenea superior

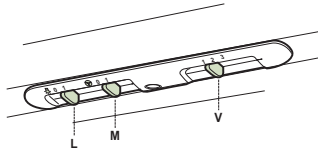
- Ensanchar ligeramente las dos faldas laterales, engancharlas detrás de las bridas **7.2.1** cerrarlas hasta el tope.
- Fijar a los lados de las bridas con los 4 tornillos **12c** (2,9 x 9,5) en dotación.

### Chimenea inferior

- Ensanchar ligeramente las dos faldas laterales de la chimenea, engancharlas entre la chimenea superior y la pared y cerrarlas hasta el tope.
- Fijar lateralmente la parte inferior en el cuerpo de la campana, con los 2 tornillos **12c** (2,9 x 9,5) en dotación.







## Tarjeta de control

---

<b>L</b>	Luces	Enciende y apaga la instalación de iluminación.
<b>M</b>	Motor	Enciende y apaga el motor de aspiración.
<b>V</b>	Velocidad	Determina las velocidades de ejercicio: <ol style="list-style-type: none"><li>1. Velocidad mínima, indicada para un recambio de aire continuo muy silencioso, en presencia de pocos vapores de cocción.</li><li>2. Velocidad media, indicada para la mayor parte de las condiciones de uso, gracias a la óptima relación entre caudal de aire tratado y nivel de ruido.</li><li>3. Velocidad máxima, indicada para hacer frente a grandes cantidades de vapor de cocción, incluso para tiempos prolongados.</li></ol>

---

# MANTENIMIENTO

---

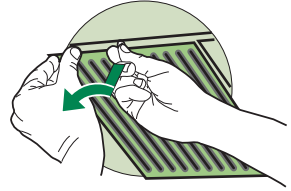
## Filtros antigrasa

---

### LIMPIEZA DE LOS FILTROS ANTIGRASA LABERINTO

Se pueden lavar en el lavavajillas al máximo cada 2 meses de uso de la Campana.

- Quitar un filtro a la vez, tirar y girar la manilla en sentido contrario a las agujas del reloj.
- Lavar los Filtros evitando que se doblen, y asegurarse de que estén bien secos antes de volver a montarlos.
- Volver a montarla siguiendo la secuencia al contrario teniendo cuidado de que la manilla quede hacia la parte exterior.



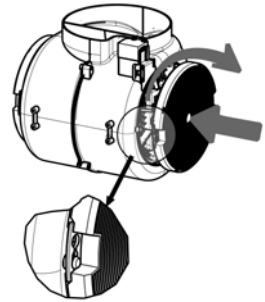
### Filtro antiolor (Versión filtrante)

---

No se puede lavar ni regenerar, se debe cambiar cada 4 meses aproximadamente o más a menudo si su uso es muy intenso.

#### SUSTITUCIÓN DEL FILTRO DE CARBÓN ACTIVO

- Quitar el filtro antigrasa metálico.
- Quitar el filtro antiolor de carbón activo saturado, operando en los enganches correspondientes.
- Montar el nuevo filtro enganchándolo en su asiento.
- Montar nuevamente el filtro antigrasa.



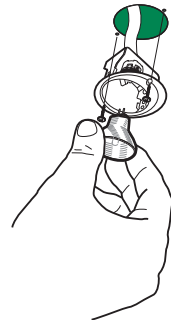
## Iluminación

---

### SUSTITUCIÓN DE LAS BOMBILLAS

#### Lámparas halógenas de 20 W

- Quitar los dos tornillos que fijan el soporte.
- Extraer la lámpara desde el soporte.
- Sustituirla con una nueva con las mismas características, poniendo cuidado en insertar correctamente los dos enchufes en el asiento del soporte.
- Montar nuevamente el soporte fijándolo con los dos tornillos que se habían quitado precedentemente.







**AGA MARVEL**

[www.agamarvel.com](http://www.agamarvel.com)

**AGA MARVEL**  
1260 E. VanDeinse St.  
Greenville MI 48838

800.223.3900

Toutes les spécifications et les conceptions des produits sont sujettes à des changements sans préavis. De telles révisions ne donnent aucun droit pour l'acheteur de produits antérieurs à bénéficier de ces changements, améliorations, ajouts, remplacements, ni de recevoir une compensation