

Safety Precautions

Read all safety precautions and installation instructions carefully before installing or servicing this fixture. Failure to comply with these instructions could result in potentially fatal electric shock and/or property damage.

It is recommended that a qualified electrician perform all wiring. This fixture must be wired in accordance with all national and local electrical codes.

Do not handle any energized fixture or attempt to energize any fixture with wet hands or while standing on a wet or damp surface or in water.

This fixture is designed for use in a 110-120VAC, 60Hz fused circuit. Do not use on a dimming circuit.

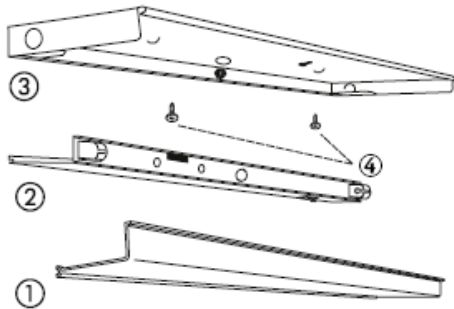
To reduce the risk of electrical shock, and to assure proper operation, this fixture must be adequately grounded. To accomplish proper grounding, there must be a separate ground wire (green) or bare metal contact (metal conduit) between this fixture and the ground connection of your main power supply panel. The green ground screw location is clearly marked on the fixture housing.

This fixture is intended to be used for general indoor lighting in dry and damp locations.

ASSEMBLY INSTRUCTIONS

1. Preparing for installation

- A. Disconnect electrical power at fuse or circuit breaker box before installing or servicing any part of this fixture.



- B. Remove fixture from carton.
C. Remove the diffuser (1) by pulling back and up on its top edge.
D. Squeeze and lift ballast cover (2) to remove.
E. Remove appropriate knockout(s) for power supply entry. For connection using conduit, use the BX connector with one of the side knockouts.

2. Fixture mounting

- A. To locate, hold channel (3) up to the undercabinet surface with power supply knockout located over entryway for power supply wires. Mark the locations of the narrow end of the key slot holes on the undercabinet.
B. Take the channel down and drill a small pilot hole in the undercabinet at each location. Install 1/2" wood screws (4) into cabinet and leave a 1/8" gap.
Caution- Personal injury and damage to the lamp and/or mounting surface may result if the lamp is pulled from the surface. To reduce the likelihood of injury or damage, mount only on a surface that is structurally sound.
C. Feed the supply wires (black, white and ground (green or bare)) through the open knockout hole in the channel.

- D. Place the channel flush against the undercabinet with the screws passing through the large ends of the keyholes, then slide it over into the smaller slots.
E. Secure channel to the cabinet by tightening screws.

3. Wiring

Caution: Check electrical power wires for damage or scrapes. If power supply wires are within three inches of ballast use wire suitable for at least 90C (194F). **Note:** Most dwellings built before 1985 have supply wire rated to 60C. Consult a qualified electrician before installing.

- A. This unit will not operate properly unless connected to a "grounded" electrical circuit. Electrical shock, over heating, low or no light output, and shortened lamp life can result if not properly grounded. Securely attach the 3/8" stripped end of the ground wire from the fixture to the supply ground (green or solid bare) wire using a provided wire nut.
B. Using wire nuts (included), connect the 3/8" stripped end of the white input supply wire to the white wire from the fixture. Connect the 3/8" stripped end of the black input supply wire to the black wire from the fixture. **Do not mix wires.** Pull on each wire lead to make sure connections are secure. Make certain no bare wires are exposed outside of the wire nuts.
C. Replace ballast cover by re-engaging the retaining tabs. Reinstall lamp by inserting pins into lamp holder. Rotate into place to seat lamp for proper connection.
D. Install plastic lens into the fixture.
E. Restore power at fuse or circuit breaker box.

3. Bulb Replacement

The T8U15 & T8U15PH models use an F15T8 lamp, the T8U17 & T8U17RCO models use an F17T8 lamp, the T8U25 & T8U25RCO models use an F25T8 lamp, and the T8U32 & T8U32RCO models use an F32T8 lamp.

Limited Factory Warranty

American Fluorescent Corporation warrants this fixture is free from defects in materials and workmanship when installed and used under normal operating conditions for a period of 2 years from date of purchase. This warranty covers all component parts and extends only to replacement of defective fixture or components; it does not cover failure due to improper installation, misuse, mishandling or damage incurred in transit