

*****READ & SAVE THESE INSTRUCTIONS *****
ACCESS LIGHTING
MODEL 62311/2/3/4/
INSTALLATION & OPERATION INSTRUCTIONS

(1) TOOLS AND MATERIALS REQUIRED

- ❖ BLADE SCREW DRIVER
- ❖ WIRE CUTTERS
- ❖ WIRING SUPPLIES AS REQUIRED BY ELECTRICAL CODE

Attention:

Before assembling your lighting fixture, please read the following instructions. If you feel you do not have sufficient electrical experience, refer to a do-it-yourself wiring handbook or have your fixture installed by a qualified licensed electrician.

(2) GENERAL

1. To ensure the success of the installation, be sure to read these instructions and review the diagrams thoroughly before beginning.
2. All electrical connections must be in accordance with local codes, ordinances, or the National Electrical Code. If you are unfamiliar with methods of installing electrical wiring, secure the services of a qualified licensed electrician.
3. These fixtures are intended for mounting to a standard 4" x 2 1/4" deep metal octagon outlet box. The box must be directly supported by the building structure.
4. Before commencing with the installation, **disconnect the power by turning off the circuit breaker** or by removing the fuse at the fuse box. Turning the power off using the light switch is not sufficient to prevent electrical shock.

NOTE:

The important safeguards and instructions appearing in this manual are not meant to cover all possible conditions and situations that may occur. It must be understood that common sense, caution and care, are factors that cannot be built into any product. These factors must be supplied by the person(s) caring for and operating the fixture.

(3) UNPACKING THE FIXTURE

On checking the contents of the box you will find;

- ❖ Crossbar
- ❖ Round Plate
- ❖ Mounting Hardware
- ❖ Body of Fixture
- ❖ Glass Diffusers
- ❖ 1,2,3,4, x Bulb Covers
- ❖ 1,2,3,4, x 100W/T-3 Base 78mm Bulbs

(4) PREPARE THE FIXTURE

Refer to attached illustration of fixture parts and assembly.

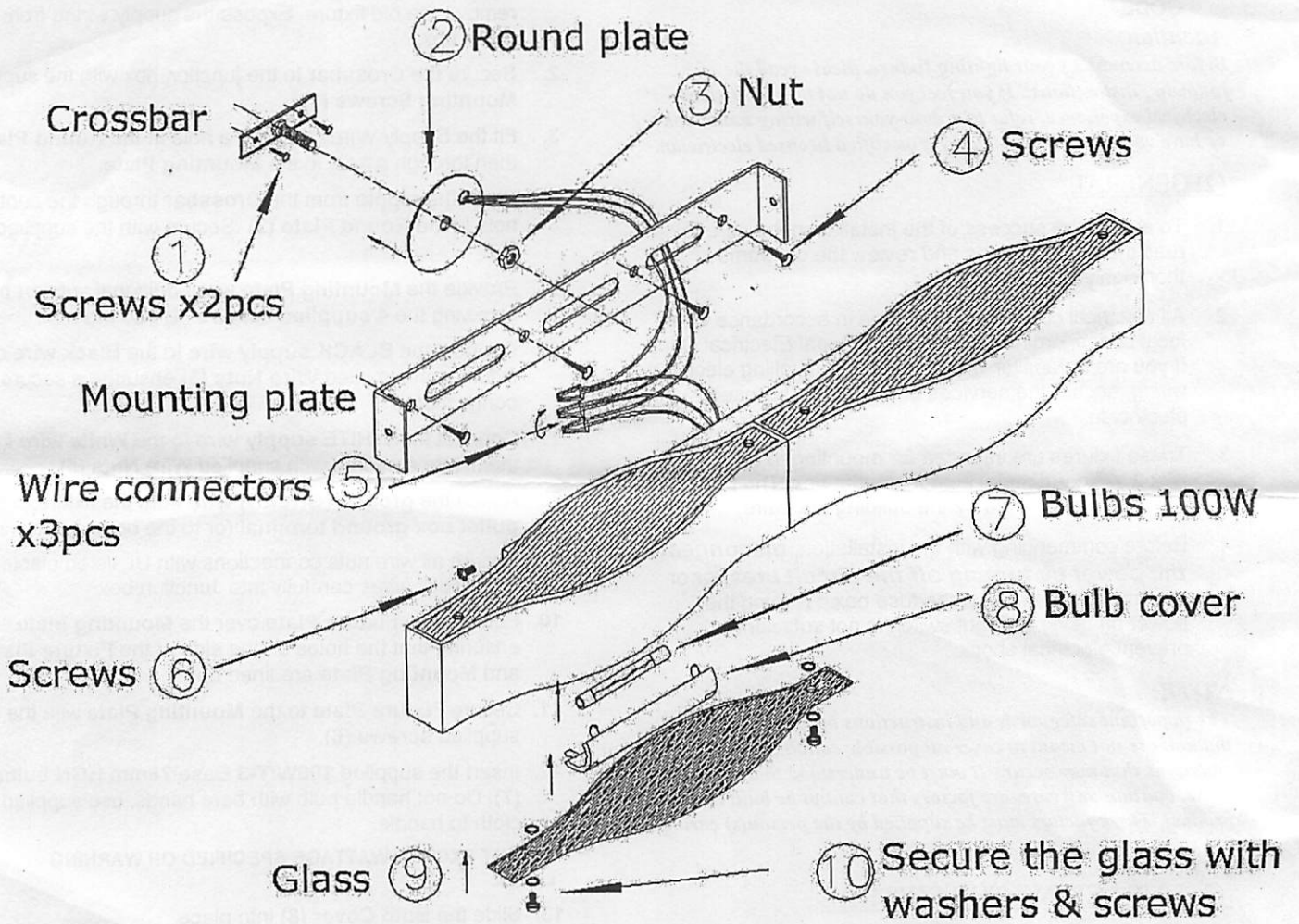
1. If you are replacing an existing fixture disconnect and remove the old fixture. Expose the supply wiring from the outlet box.
2. Secure the **Crossbar** to the junction box with the supplied **Mounting Screws (1)**.
3. Fit the Supply Wires through a hole in the **Round Plate (2)** then through a hole in the **Mounting Plate**.
4. Place the **nipple** from the **Crossbar** through the center hole in the **Round Plate (2)**. Secure with the supplied **Nut (3)**.
5. Provide the **Mounting Plate** with additional support by screwing the **4 supplied screws (4)** into the wall.
6. Connect the **BLACK supply wire** to the **Black wire** of the fixture with supplied **Wire Nuts (5)** ensuring a secure connection.
7. Connect the **WHITE supply wire** to the **White wire** from the fixture a secure with supplied **Wire Nuts (5)**.
8. Attach the **ground (GREEN) wire** from the fixture to the **outlet box ground terminal** (or to the box ground wire).
9. Secure all wire nuts connections with UL listed electrical tape. Tuck wires carefully into Junction box.
10. Position the **Fixture Plate** over the **Mounting Plate** ensuring that the holes on the side of the **Fixture Plate** and **Mounting Plate** are lined up.
11. Secure **Fixture Plate** to the **Mounting Plate** with the supplied **screws (6)**.
12. Insert the supplied **100W/T-3 Base 78mm HGN bulbs (7)**. Do not handle bulb with bare hands, use supplied cloth to handle.
DO NOT EXCEED WATTAGE SPECIFIED ON WARNING LABEL
13. Slide the **Bulb Cover (8)** into place.
14. Place each **Glass Diffuser (9)** over the socket and secure with the supplied **Washers and Screws (10)**.
15. Restore electricity and check the operation of your new lighting fixture.

CAUTION:

- **Ensure that the Fitting is Cool and Switched off, Before Changing the Bulb.**
- **Do Not use Bulbs Exceeding Maximum Wattage, As Per Caution Label.**
- **Do Not handle bulbs with bare hands, use supplied soft cloth.**

a c c e s s
L I G H T I N G

62311/2/3/4



access

LIGHTING