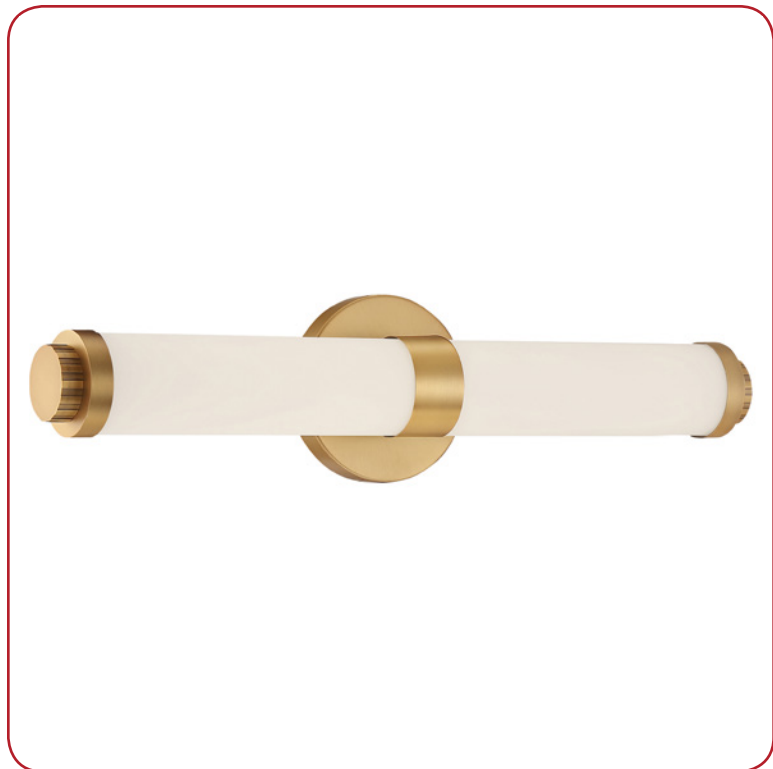


Model No :: **62530LEDD-BG/OPL**  
 Name :: Aqua



Project Name :: \_\_\_\_\_  
 Location :: \_\_\_\_\_  
 Type :: \_\_\_\_\_  
 Quantity :: \_\_\_\_\_  
 Notes :: \_\_\_\_\_

**Product Information**

Product ID :: 62530  
 UPC Code :: 641594234817  
 Mounting Type :: Wall  
 Finish :: Brushed Gold (BG)  
 Diffuser :: Opal (OPL)  
 Alt. Finishes :: Brushed Gold (BG); Brushed Steel (BS)  
 Alt. Diffusers :: Opal (OPL)

**Product Dimensions**

| Fixture               | Canopy           |
|-----------------------|------------------|
| Length :: N/A         | Length :: N/A    |
| Width :: 19.25"       | Width :: N/A     |
| Diameter :: N/A       | Diameter :: 4.5" |
| Extension :: 3.25"    | Height :: N/A    |
| Height :: 4.5"        |                  |
| Overall Height :: N/A |                  |



**Technical Specifications**

**Qualifications**

Location Rating :: Damp  
 Certification :: ETL Listed (US/Canada)  
 IES File ::  
 JA8 Compliant :: Yes  
 Energy Star :: No  
 ADA Compliant :: Yes  
 Marine Grade :: No  
 Emergency Lighting :: No  
 Warranty :: 5 Year Limited

**Specifications**

Frame Material :: Steel  
 Diffuser Material :: Glass  
 Voltage :: 120v  
 Lamping Type :: Dedicated LED  
 Lamping Base :: SSL  
 Lamp Quantity :: 1  
 Lamp Wattage :: 16 W  
 Total Wattage :: 16w  
 Lamps Included :: Yes  
 J-Box Type :: Standard

**Photometrics**

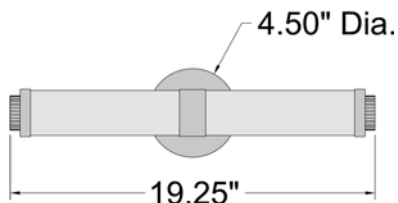
CCT :: 3000  
 CRI :: 90  
 Wattage :: 16w  
 Nominal Lumens :: 1280Lm  
 Delivered Lumens :: 1034Lm

**Recommended Dimmers**

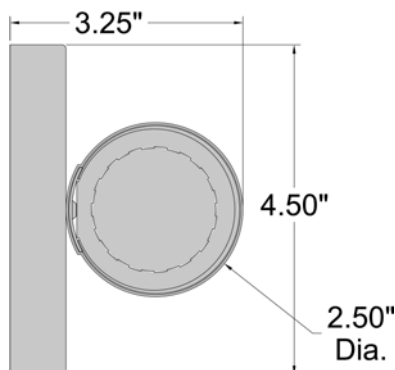
0

Additional Items :: 0

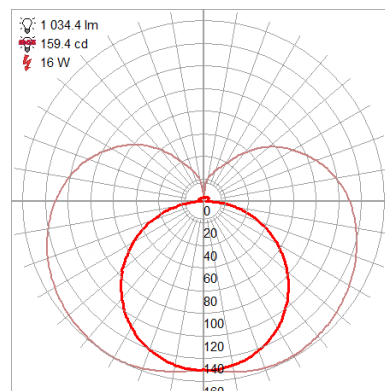
**Line Drawing #1**



**Line Drawing #2**



**IES File**



**Toll Free 800-828-5483 • www.AccessLighting.com**

14410 Myford Road, Irvine, CA 92606

The information provided is subject to change without notice. ©2020 Access Lighting Corporation. All Rights Reserved  
 Rev. 202004 Filename:: 62530LEDD-BG\_OPL.pdf

