

Model No :: **20041MG-BRZ/RFR**  
 Name :: Destination



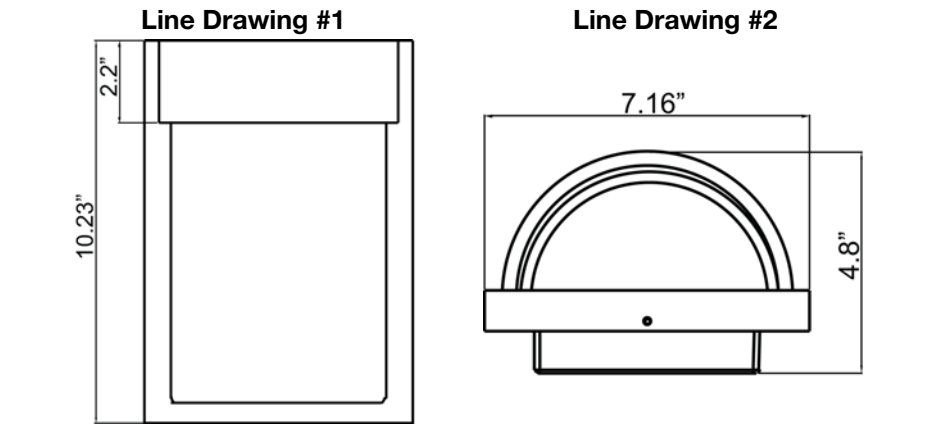
Project Name :: \_\_\_\_\_  
 Location :: \_\_\_\_\_  
 Type :: \_\_\_\_\_  
 Quantity :: \_\_\_\_\_  
 Notes :: \_\_\_\_\_

Product Information	
Product ID ::	20041
UPC Code ::	641594206814
Mounting Type ::	Wall
Finish ::	Bronze
Diffuser ::	Ribbed Frosted
Alt. Finishes ::	
Alt. Diffusers ::	

Product Dimensions	
<b>Fixture</b>	<b>Canopy</b>
Length ::	Length :: 4.75
Width :: 7.25	Width :: 4.75
Diameter ::	Diameter ::
Extension :: 5	Height :: 0.5
Height :: 10.25	
Overall Height ::	

**Technical Specifications**

Qualifications	Specifications	Photometrics	Recommended Dimmers
Location Rating :: Wet	Frame Material :: Aluminum	CCT ::	
Certification :: N/A	Diffuser Material :: Glass	CRI ::	
IES File ::	Voltage :: 120v	Wattage :: 60 W	
JA8 Compliant :: No	Lamping Type :: A-19 (INC)	Nominal Lumens ::	
Energy Star :: No	Lamping Base :: E-26	Delivered Lumens ::	
ADA Compliant :: No	Lamp Quantity :: 1	Additional Items ::	
Marine Grade :: No	Lamp Wattage :: 60 W		
Emergency Lighting :: No	Total Wattage :: 60 W		
Warranty :: 1 Year Limited	Lamps Included :: No		
	J-Box Type :: Standard		



**IES File**

Image  
Not Available

**Toll Free 800-828-5483 • www.AccessLighting.com**

14410 Myford Road, Irvine, CA 92606  
 The information provided is subject to change without notice. ©2020 Access Lighting Corporation. All Rights Reserved  
 Rev. 202105 Filename:: 20041MG-BRZ\_RFR.pdf

