

# access

L I G H T I N G

## INSTALLATION INSTRUCTIONS

### IMPORTANT

Before assembling your access lighting fixture, please make sure that you carefully read through these instruction sheets. Consider having your fixture installed by a qualified licensed electrician.

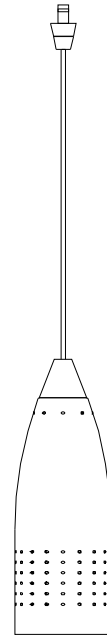
**NOTE:** The important safeguards and instructions that appear in this manual are not meant to cover all possible conditions and situations that may occur. It must be understood that common sense, caution and care, are factors that can't be built into any product. These factors must be supplied by the person(s) caring for and operating the fixture.

### GENERAL INFORMATION

All electrical connections must be in accordance with all ordinances, Local and National Electrical Codes. These fixtures are intended for mounting to a standard 4" x 2 1/2" metal octagon outlet box. The box must be directly supported by the building structure and U.L. Recognized.

### STEP BY STEP INSTRUCTIONS

Before starting your installation disconnect the Power by turning off the Circuit Breaker or by removing the fuse at the fuse box. Just turning the light off at the light switch is not sufficient to prevent electrical shock.



### COLLECTION

Odyssey

### APPLICATION

Pendant Fixture

### MODEL NO.

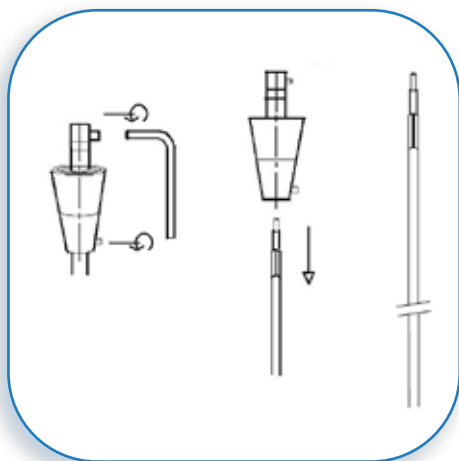
52001UJ

### WHAT WE PROVIDE

- Fixture Assembly
- 10" Wire with lamp holder
- 1x35W MR16 bulb

### WHAT YOU NEED

- Screwdriver
- Wire Cutters
- Wiring Supplies as Specified by Electrical Code



### Determine the length of your fixture

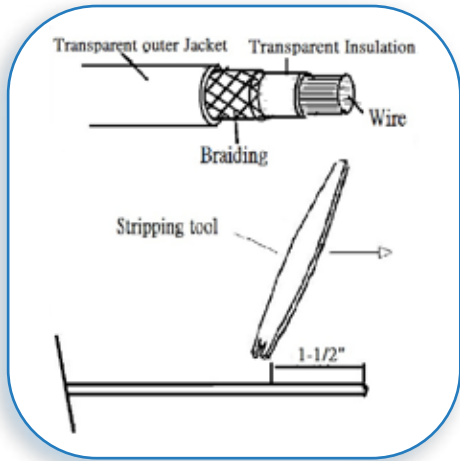
1

Loosen the top and bottom allen screw with the supplied allen key.

Pull the wire out of the UNI-JACK connector.

Determine the length of your fixture.

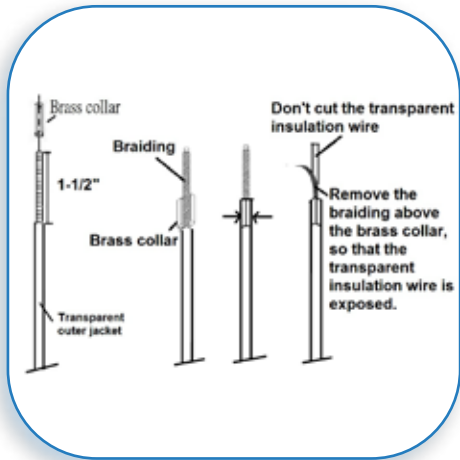
Cut the wire to the desired length. Leaving an additional 1-1/2" for the necessary connections.



2

**STRIP THE WIRE OUTER JACKET**

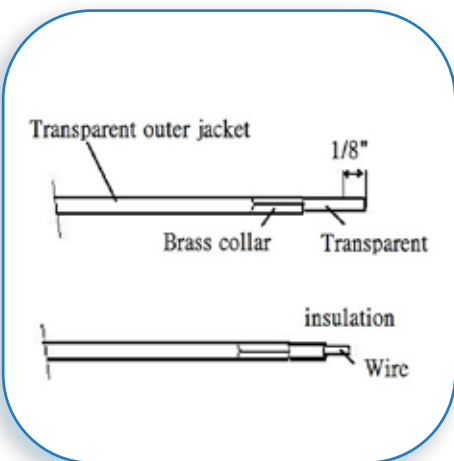
Strip 1-1/2" of the outer jacket with the stripping tool or wire cutter.



3

**SLIDE THE BRASS COLLAR ON WIRE**

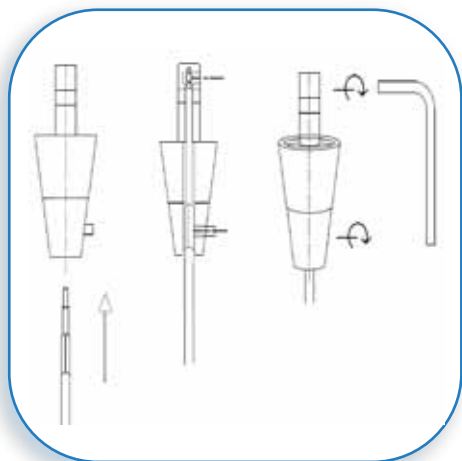
Slide the brass collar over the braiding and clamp it gently. Remove the braiding above the brass collar, so that the transparent insulation wire is exposed. Don't cut the transparent insulation wire.



4

**REMOVE THE WIRE INSULATION**

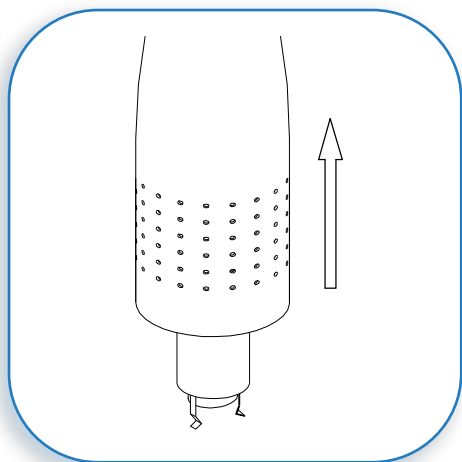
Remove 1/8" of the transparent insulation to expose the inner wire. Solder the exposed wire to keep straight and neat.



5

### INSERT THE WIRE INTO THE UNI-JACK

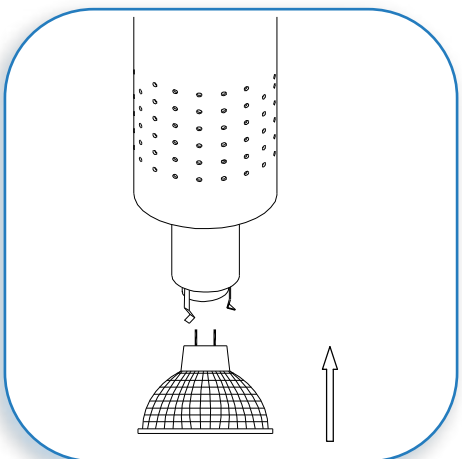
Insert the wire into the UNI-JACK connector until it reaches the top set allen screw position. Make sure the brass collar aligns with the lower set allen screw. Tighten the top and the lower allen screw with the supplied allen key.



6

### SLIDE THE METAL SHADE UP

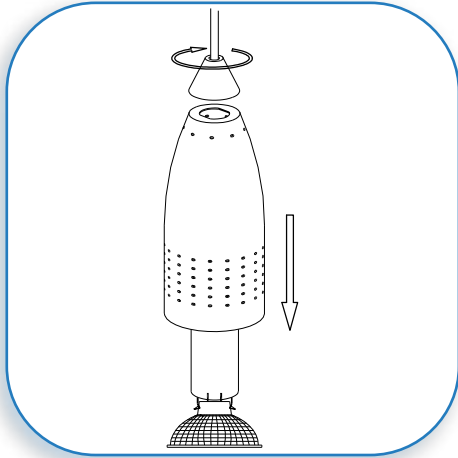
Slide the metal shade up to reveal the socket assembly.



7

### INSERT THE BULB

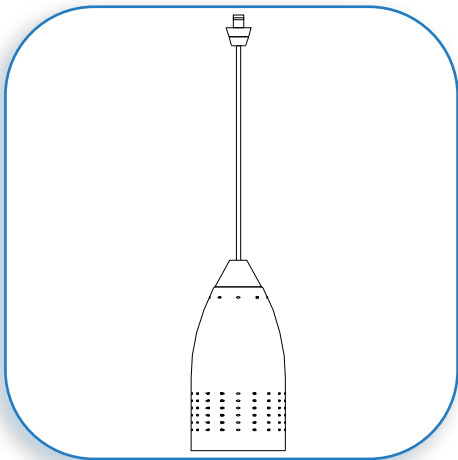
Insert the bulb.  
MAXIMUM WATTAGE 35W TYPE MR16.  
DO NOT EXCEED THE RECOMMENDED WATTAGE AS STATED ON THE WARNING LABEL AND INSTRUCTION SHEETS.



7

**SLIDE THE METAL SHADE DOWN**

Once the bulb is installed, slide the metal shade back into place and tighten metal cap.



8

**RESTORE THE ELECTRICITY AND CHECK THE OPERATION OF YOUR NEW ACCESS FIXTURE**

**CAUTION** Please ensure that the fitting is cool and switched off before replacing the bulb. DO NOT use bulbs that exceed the maximum wattage, stated on caution label.