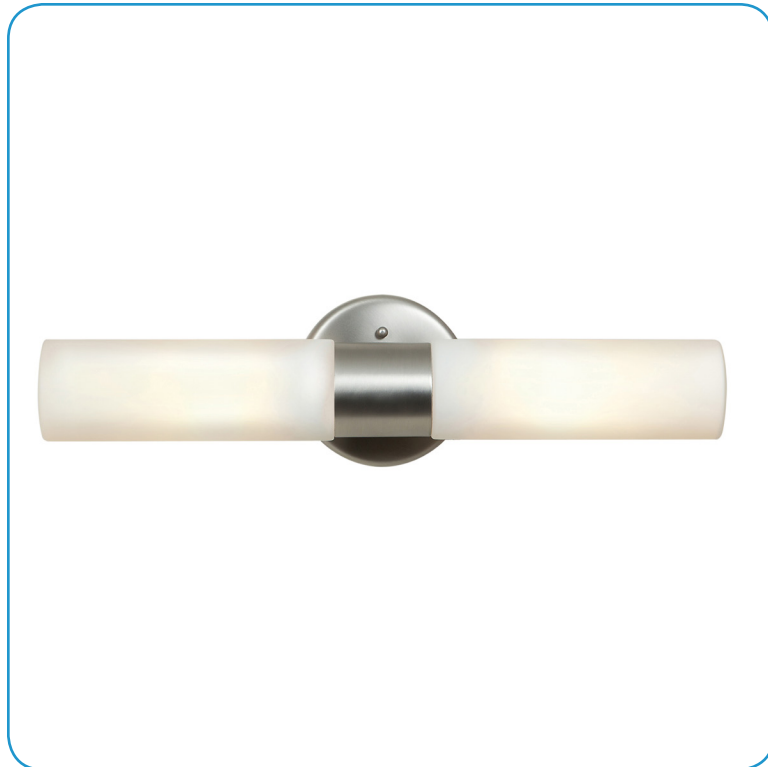


Model No :: **20436-BS/OPL**
 Name :: **Cobalt**



Project Name :: _____
 Location :: _____
 Type :: _____
 Quantity :: _____
 Notes :: _____

Product Information

Product ID :: 20436
 UPC Code :: 641594075014
 Mounting Type :: Wall
 Finish :: Brushed Steel (BS)
 Diffuser :: Opal (OPL)
 Alt. Finishes :: Oil Rubbed Bronze (ORB)
 Alt. Diffusers :: N/A

Product Dimensions

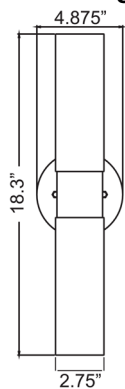
Fixture		Canopy	
Length ::	N/A	Length ::	N/A
Width ::	5"	Width ::	N/A
Diameter ::	N/A	Diameter ::	4.875"
Extension ::	3.875"	Height ::	0.75"
Height ::	18.3"		
Overall Height ::	N/A Max.		



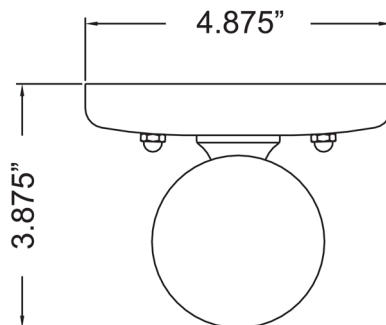
Technical Specifications

Qualifications	Specifications	Photometrics	Recommended Dimmers
Location Rating :: Damp	Frame Material :: Steel	CCT :: 2700	(TRIAC) Any Standard Dimmer
Certification :: cULus	Diffuser Material :: Glass	CRI :: N/A	
IES File :: No	Voltage :: 120v	Wattage :: 120 W	
JA8 Compliant :: No	Lamping Type :: Incandescent	Nominal Lumens :: 1600	
Title 20 Compliant :: N/A	Lamping Base :: E-26	Delivered Lumens :: N/A	
Energy Star :: No	Lamp Quantity :: 2	Custom Options :: N/A; Additional Items :: N/A	
ADA Compliant :: Yes	Lamp Wattage :: 60 W		
Marine Grade :: No	Total Wattage :: 120 W		
Emergency Lighting :: No	Lamps Included :: No		
Warranty :: 1 Year Limited	J-Box Type :: Standard		

Line Drawing #1



Line Drawing #2



IES File

Image Not Available

Toll Free 800-828-5483 or www.AccessLighting.com

14410 Myford Road, Irvine, CA 92606
 The information provided is subject to change without notice. ©2018 Access Lighting Corporation. All Rights Reserved
 Rev. 201901 Filename: 20436-BS_OPL.pdf

