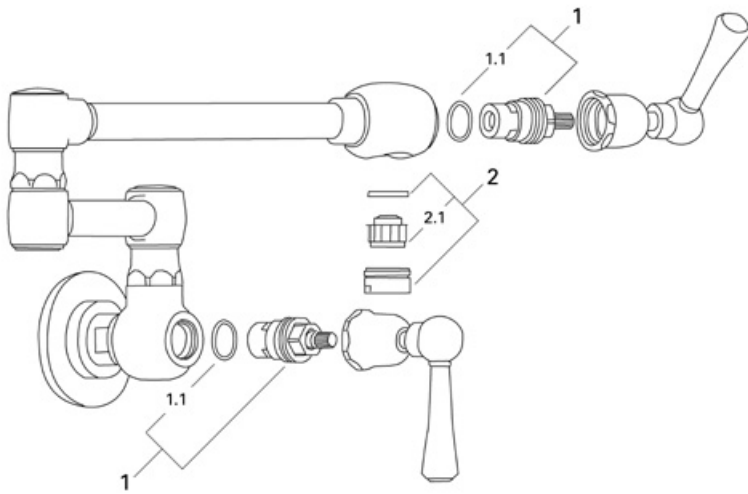


Pot Filler 31 041
Wall mounted pot filler

Exploded View



Parts Breakdown

Pos No.	Spare Part Description	Product No.	Pcs.
	31 041		
1	90 degree carbodur cartridge	45 882	1
1.1	O-ring	03 924	1
2	Male laminar control	13 955	1
2.1	Flow regulator	45 220	1